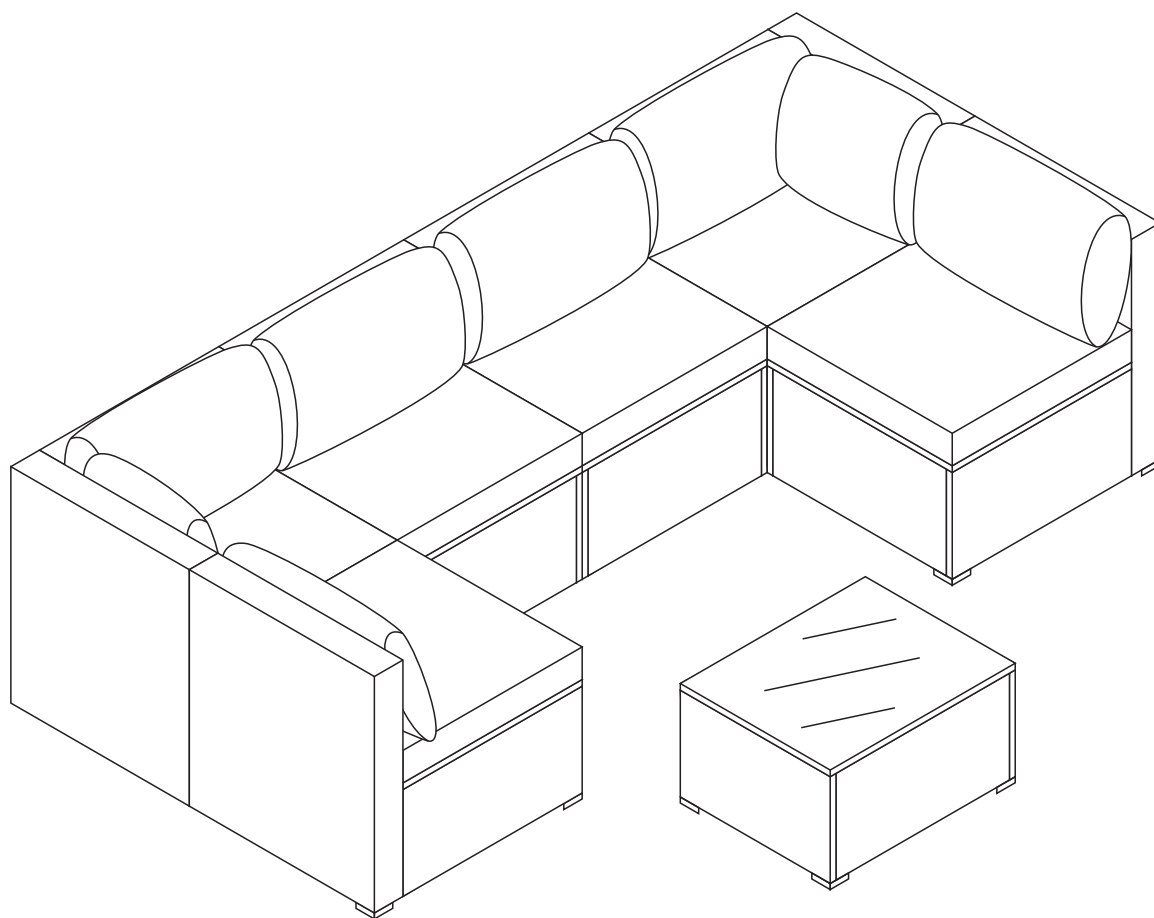
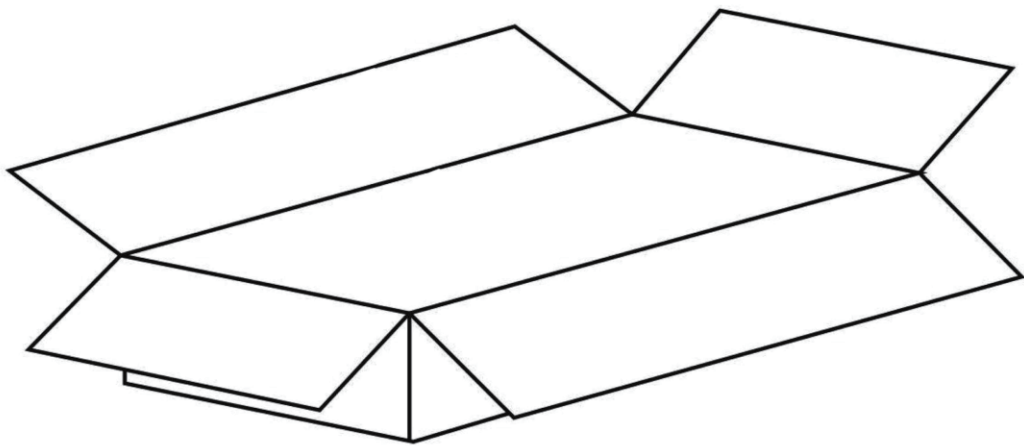


# Assembly Instruction





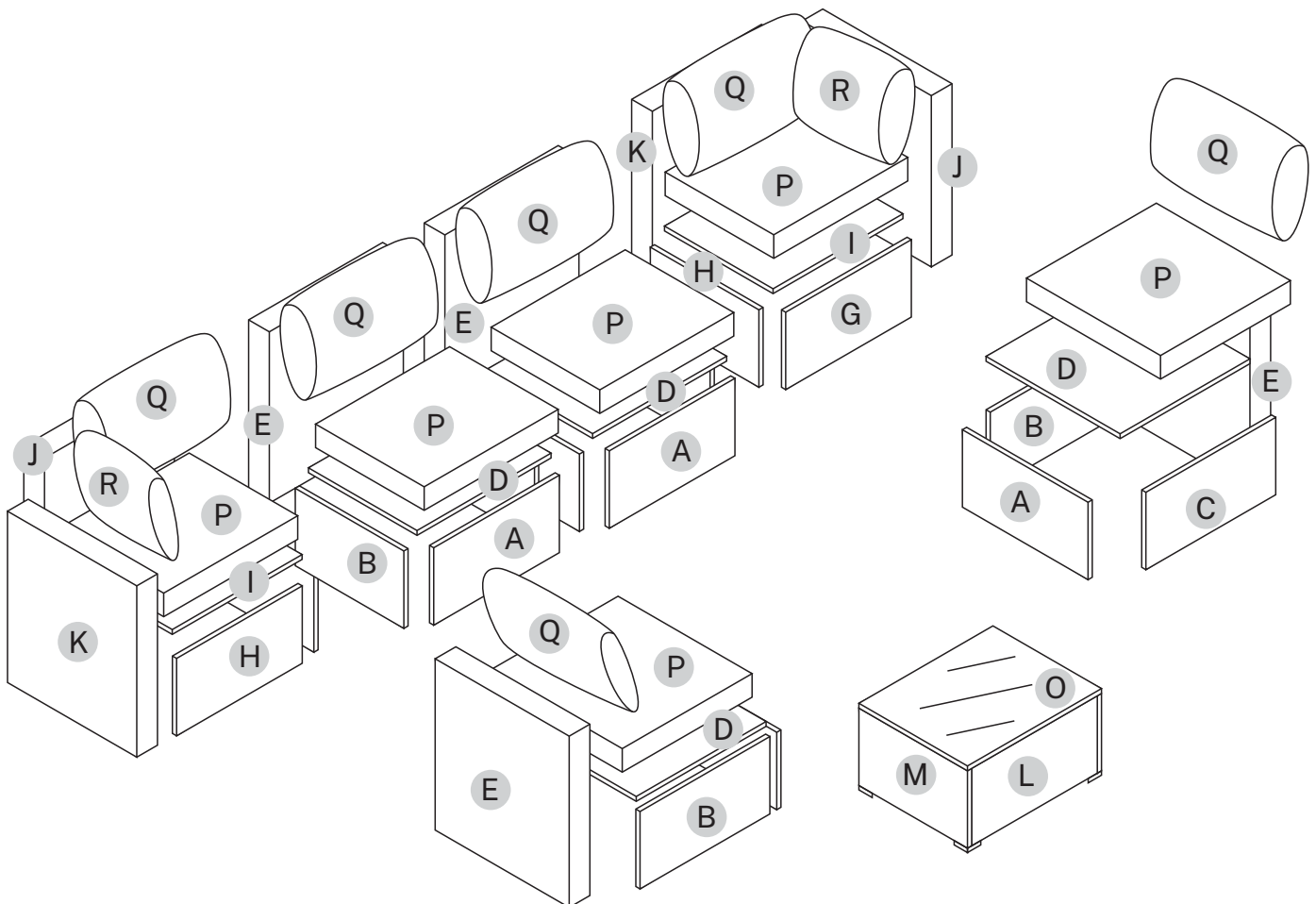
## **Caution:**

Straps may snap back when removed and cause injury. Handle with care.

# Product Overview

Elevate your outdoor living experience with our premium 7-piece rattan sectional sofa set. Designed with both style and comfort in mind, this versatile set allows you to rearrange the modular pieces into various configurations to fit your space-whether it's a cozy poolside corner or a spacious patio for entertaining.

Crafted with hand-woven, all-weather resin wicker, this set brings a modern, sophisticated look to any backyard



# IMPORTANT SAFETY INFORMATION

## **DANGER - Immediate Hazards Which WILL Cause Severe Injury or Death**

### **Glass Tabletop Hazard:**

The glass tabletop is heavy and may break if dropped or hit .  
Never stand, sit, kneel, or place heavy objects on the glass.  
Use extreme care when assembling or cleaning. Although it is tempered glass, it can still break from impact.

### **Tip-Over Hazard:**

Unassembled or partially assembled furniture is not stable.  
Always assemble on a flat, level, and stable surface.  
Do not use the product until it is fully assembled.

## **WARNING -Hazards That MAY Cause Serious Injury or Death**

### **Weight Capacity:**

Max 250 lbs per seat. Table max: 50 lbs (22.7 kg) distributed.

### **Choking Hazard:**

Small parts. Not for children under 3 years.  
Keep all small hardware away from children and pets.

### **Pinch Points:**

Keep hands and fingers away from moving parts and connecting components during assembly.

### **Proper Use:**

For outdoor residential use only. Not for commercial use.  
Do not stand on armrests, backrests, or table frames.

### **Intended Users:**

For adults and children aged 14 and older.  
Users with limited mobility, strength, or experience should be supervised.

### **Child Safety Reminder:**

Never leave children unattended near this furniture.  
It is not a toy or climbing structure.  
Children should never play on or around it.  
This product contains small parts.  
Keep away from children during assembly to prevent accidental swallowing or choking.

# Additional Safety

## **CAUTION -Hazards That MAY Cause Minor Injury or Product Damage**

### **Fire Safety:**

Keep furniture away from open flames, grills, fire pits, and heat sources.  
Cushions are NOT fireproof.

### **Stability:**

Always place on a flat, level surface.  
In high winds, bring lightweight components and cushions indoors.

### **Weather Exposure:**

While weather-resistant, avoid long-term exposure to direct sun, heavy rain, or snow.  
Use a breathable furniture cover when storing outdoors.

## Maintenance & Care Instructions

### **Cleaning:**

Use mild soap and water only.  
Never use bleach, abrasives (steel wool), or harsh chemicals (e.g. acetone, ammonia).

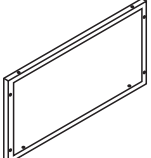
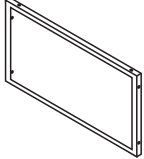
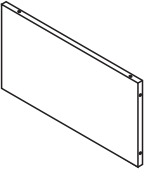
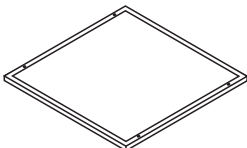
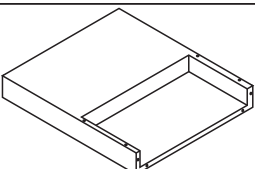

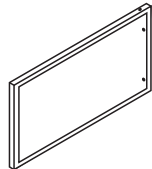
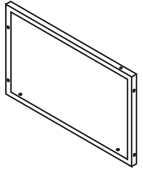
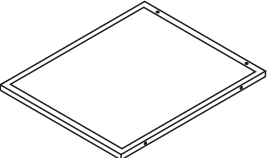
### **Cushions:**

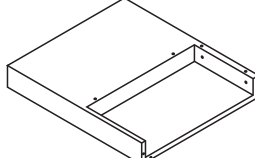
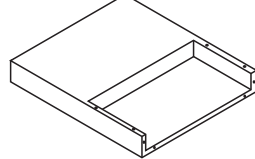
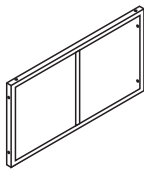
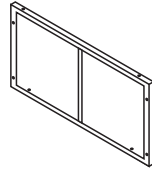
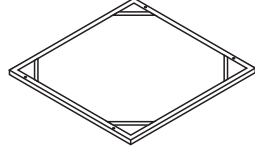
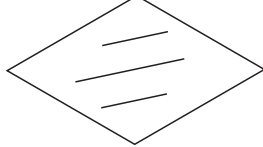
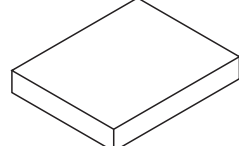
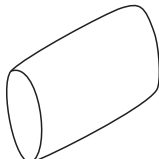
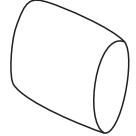
Store indoors when not in use.  
Keep dry to avoid mold. Use a breathable cover if left outside for long durations.

### **Furniture Care:**


Protect from prolonged direct sunlight, heavy rain, or snow.  
Move lightweight components indoors during high winds.


# Part List & Hardware

Item no.	Reference Image	Qty.
A		x4
B		x4
C		x4
D		x4
E		x4
F		x28
G		x4
H		x4
I		x4

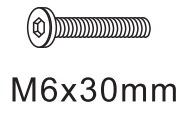
Item no.	Reference Image	Qty.
J		x4
K		x4
L		x2
M		x2
N		x1
O		x1
P		x6
Q		x6
R		x2

## Part List & Hardware

Item no.	Reference Image	Qty.
S	 M6x30mm	x88
T		x90
U	 M6x90mm	x2
V	 M6x25mm	x56

Item no.	Reference Image	Qty.
W		x1

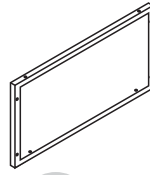
**1**



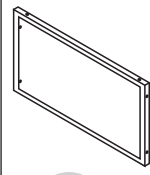
**S** x16



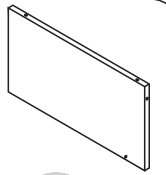
**T** x16



**A** x4

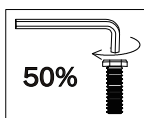
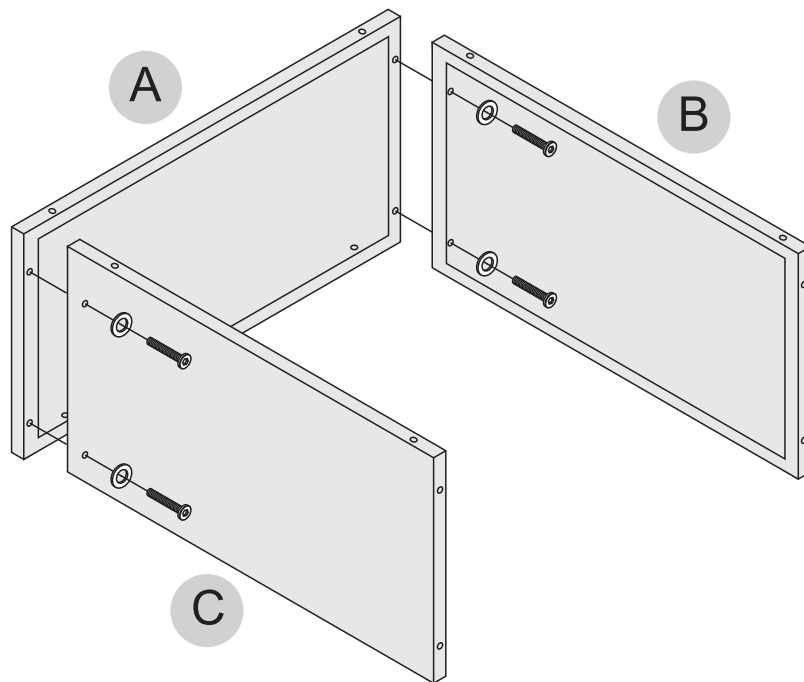


**B** x4

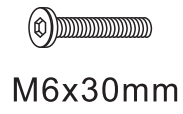


**C** x4

**x4**



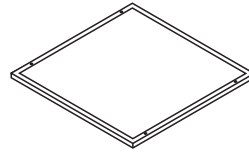
**2**



**S** x8

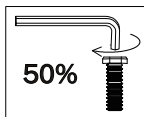
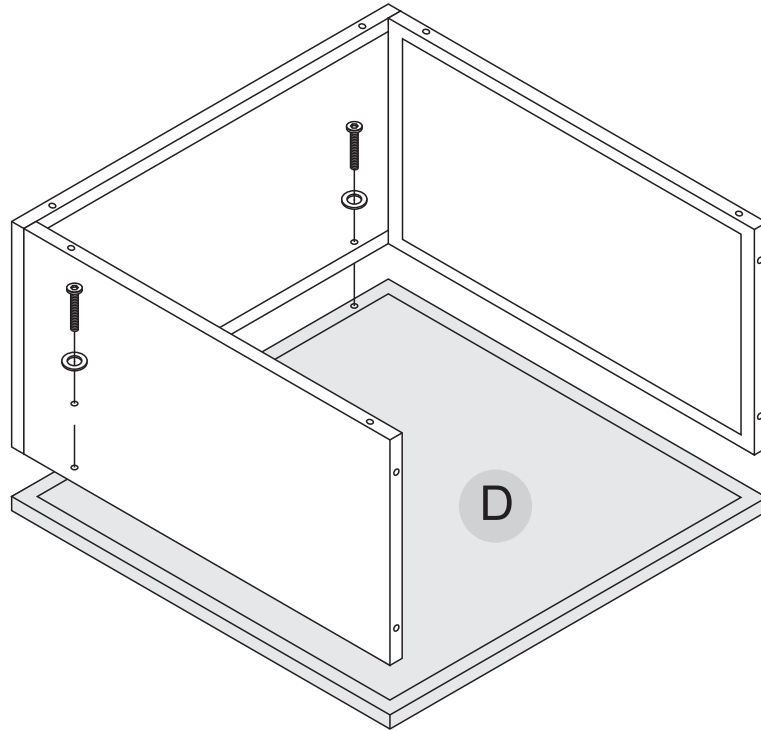


**T** x8

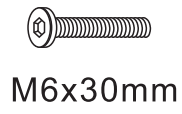


**D** x4

**x4**



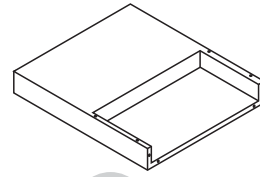
**3**



**S** x16

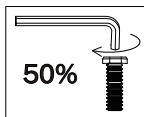
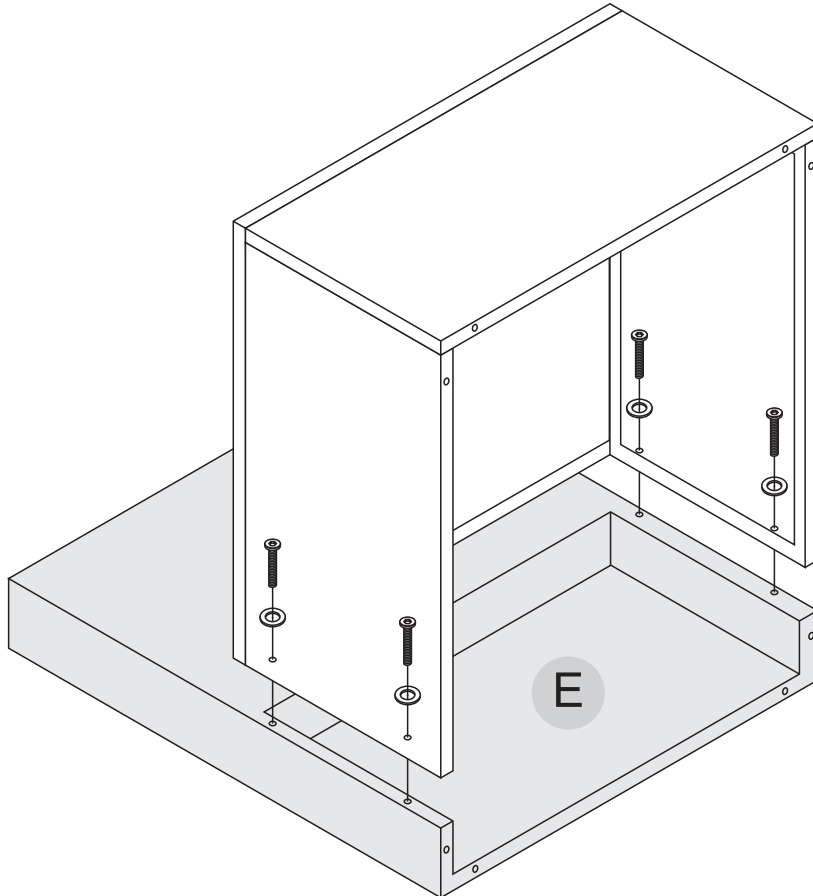


**T** x16



**E** x4

**x4**



4



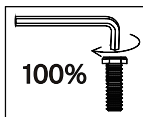
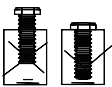
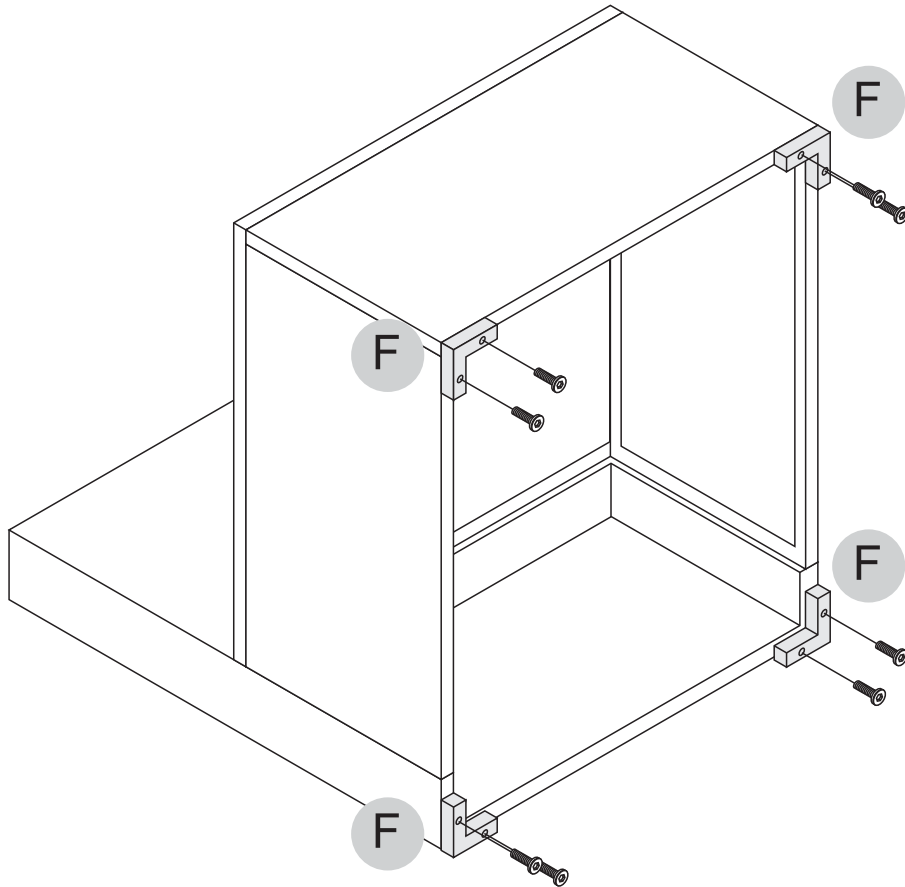
M6x25mm

V x32

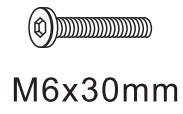


F x16

x4



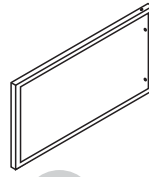
**5**



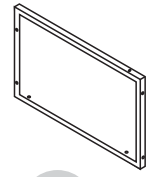
**S** x4



**T** x4

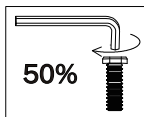
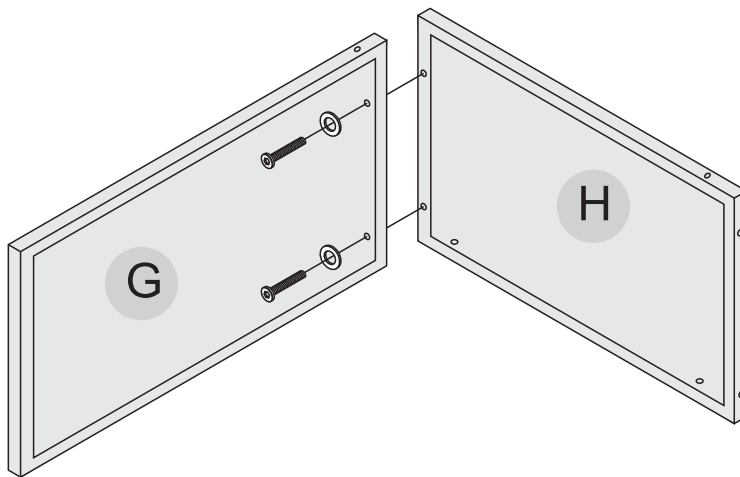


**G** x2

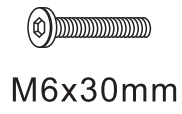


**H** x2

**x2**



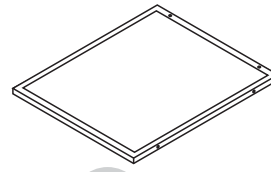
**6**



**S** x4

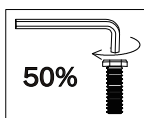
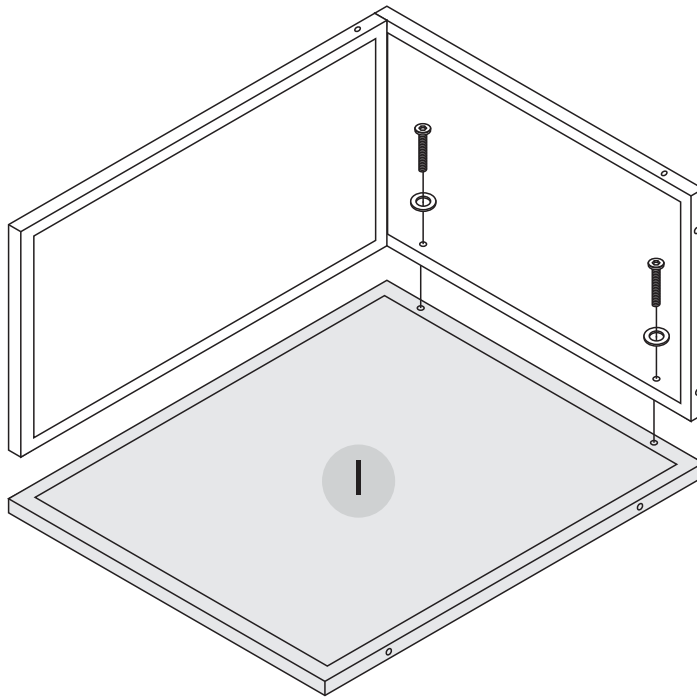




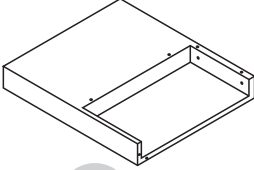
**T** x4



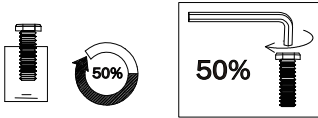
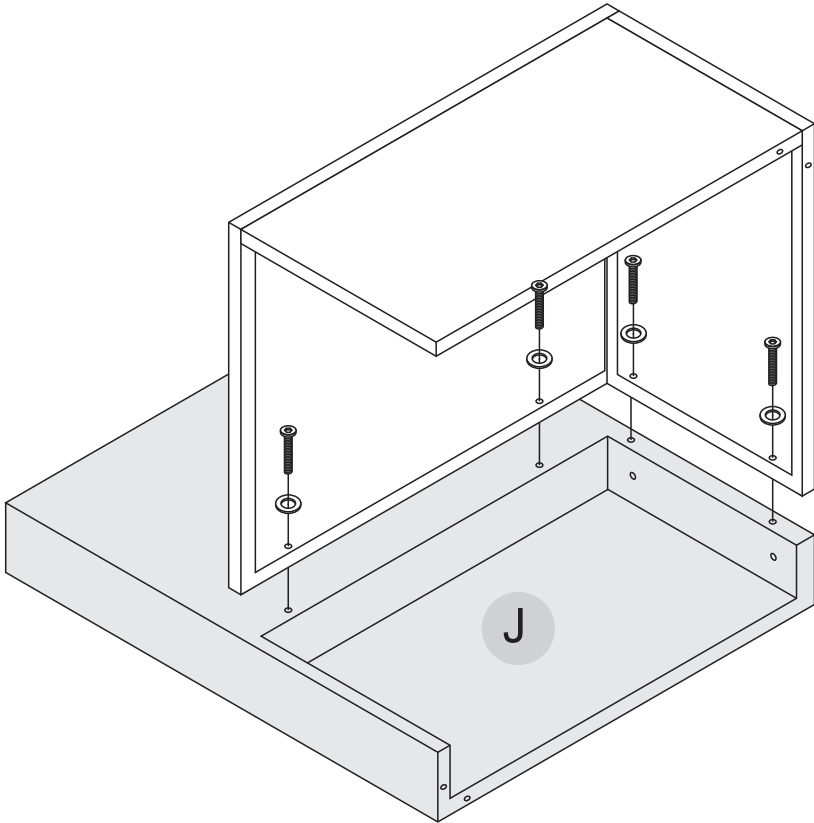
**I** x2

**x2**

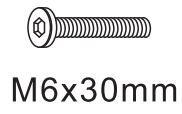


<b>7</b>	 M6x30mm	 	 
	<b>S</b> x8	<b>T</b> x8	<b>J</b> x2

x2



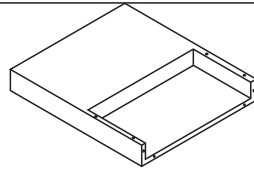
8



S x8

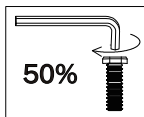
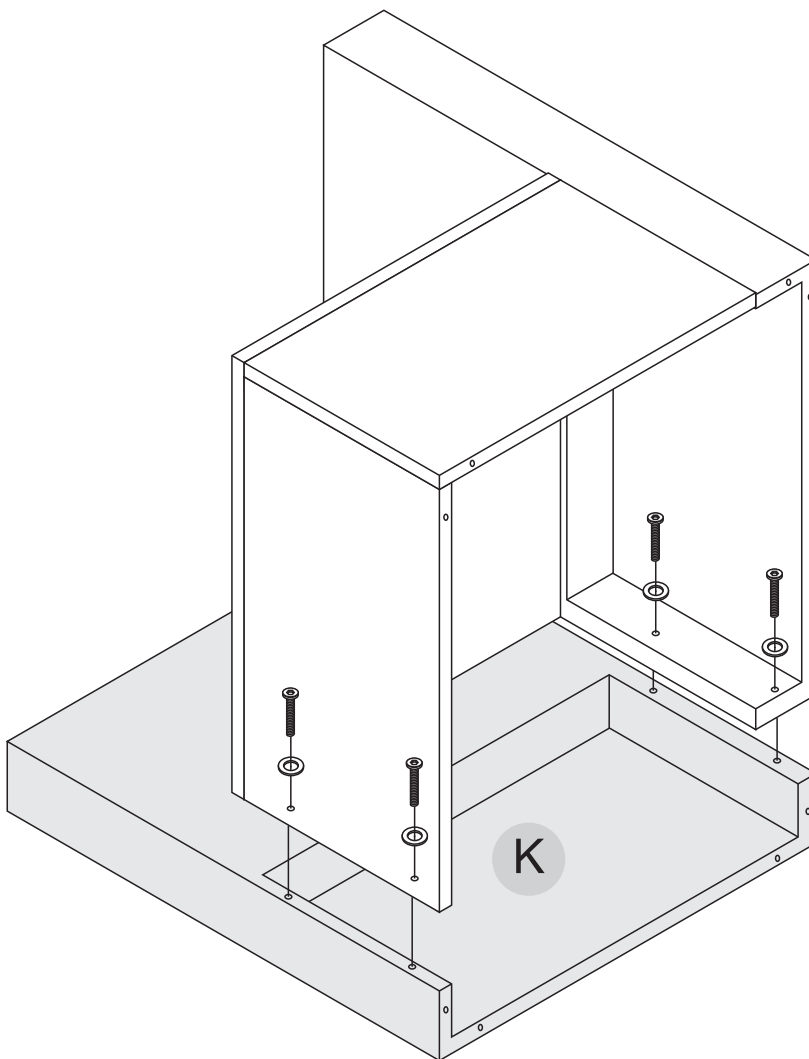


T x8



K x2

x2



9



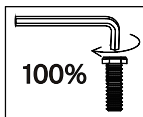
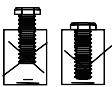
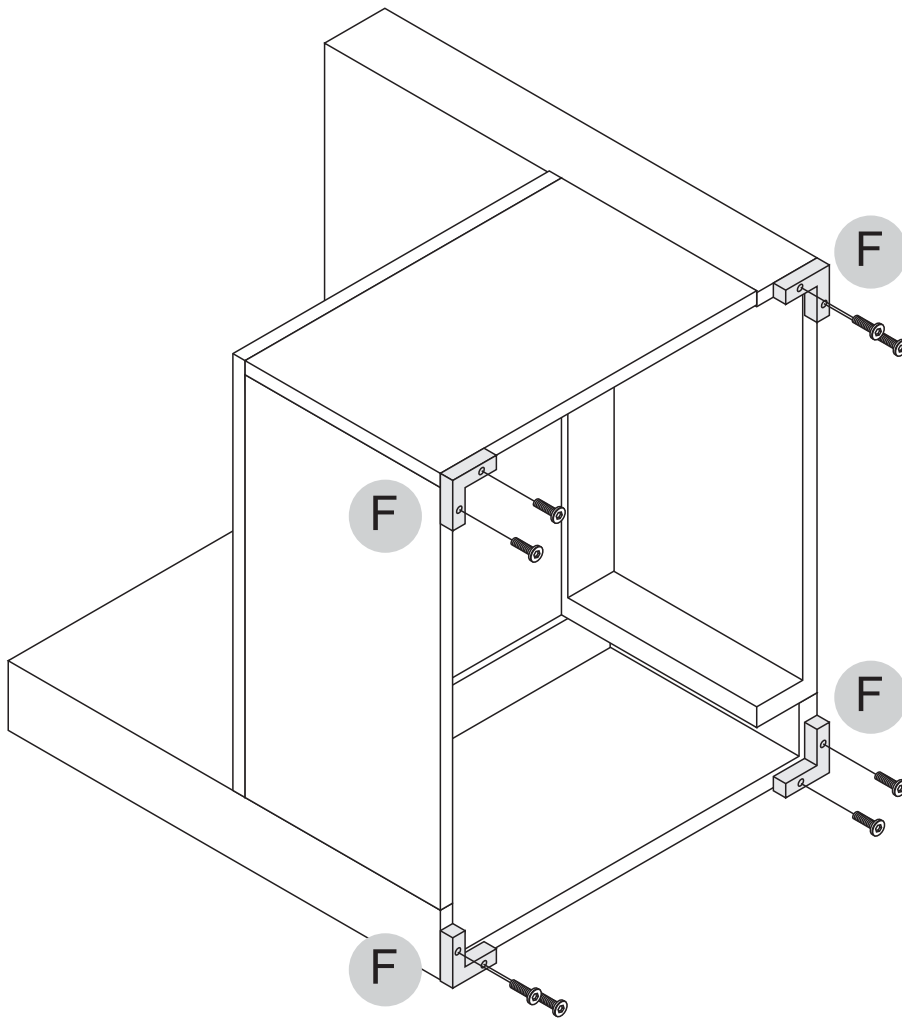
M6x25mm

V x16

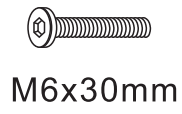


F x8

x2



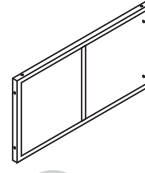
# 10



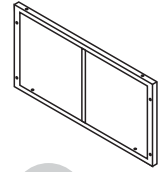
S x8



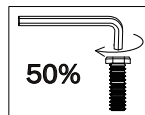
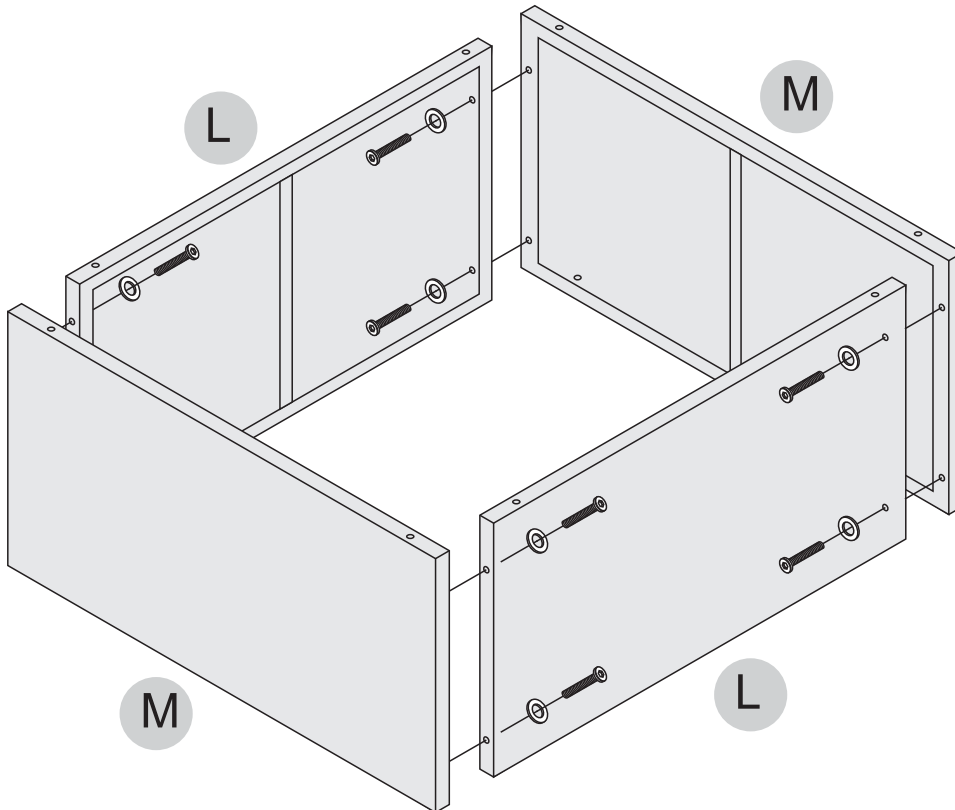
T x8



L x2




M x2



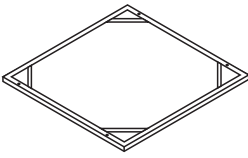
# 11



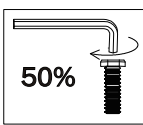
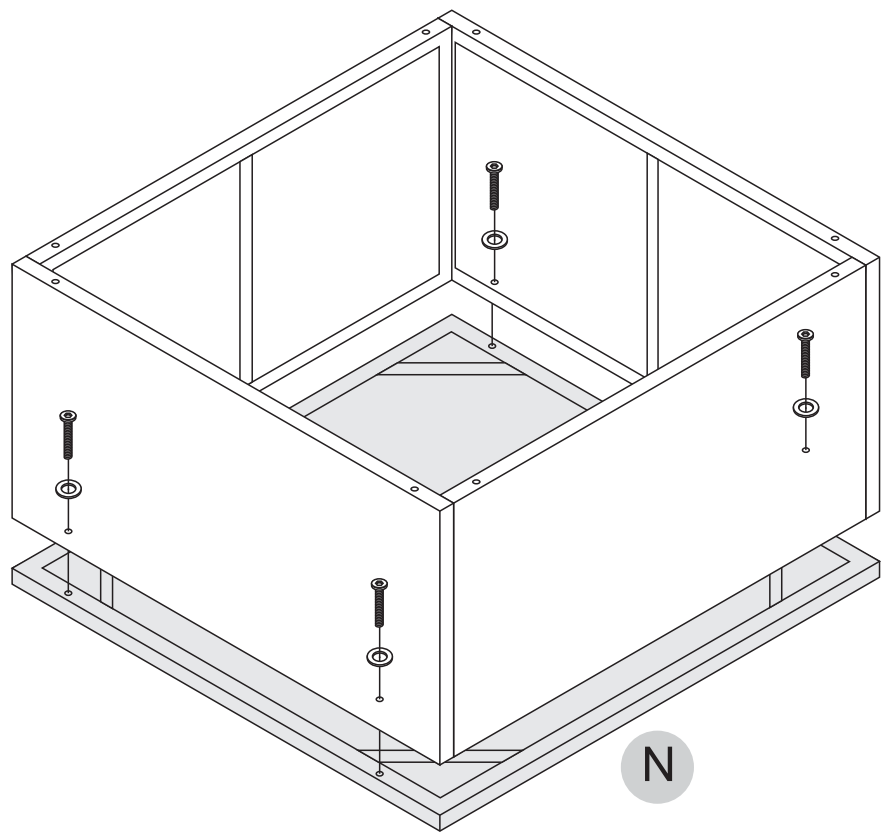
M6x30mm  
S x4



T x4



N x1



# 12

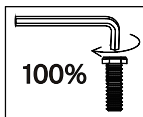
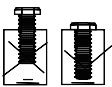
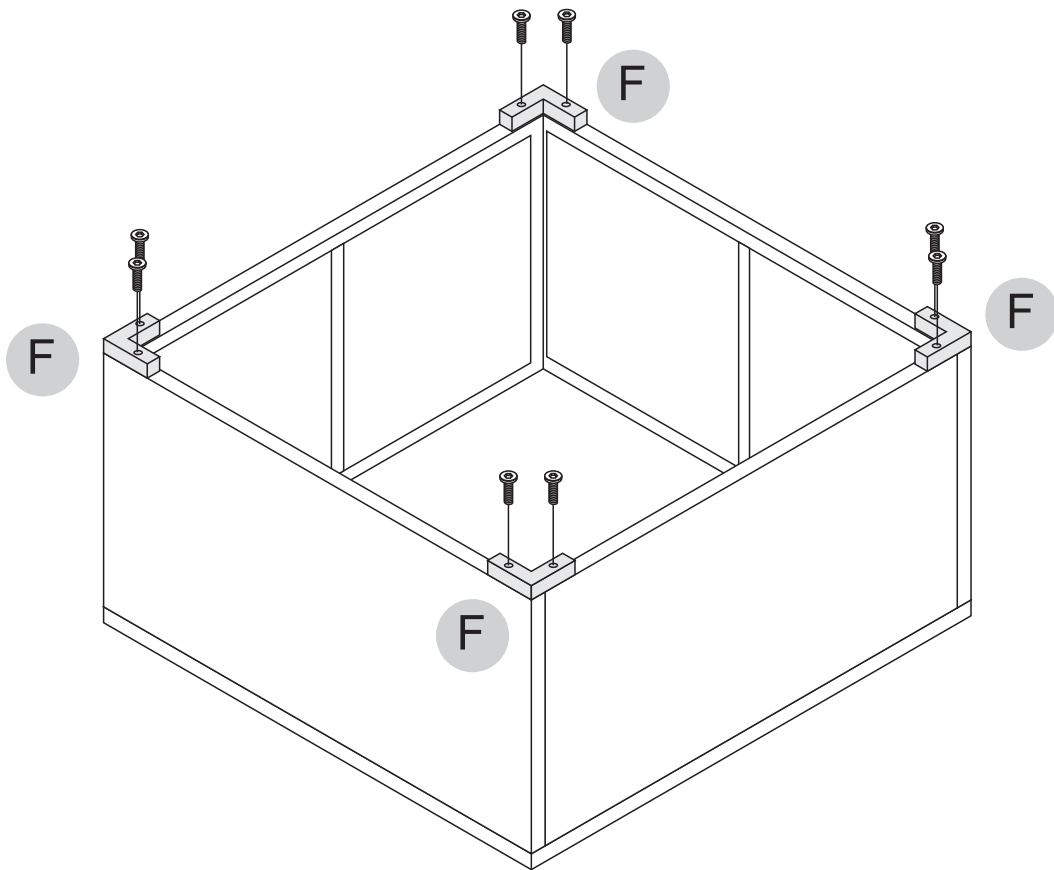


M6x25mm

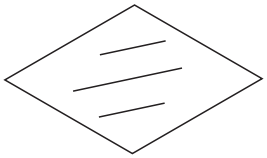
V x8



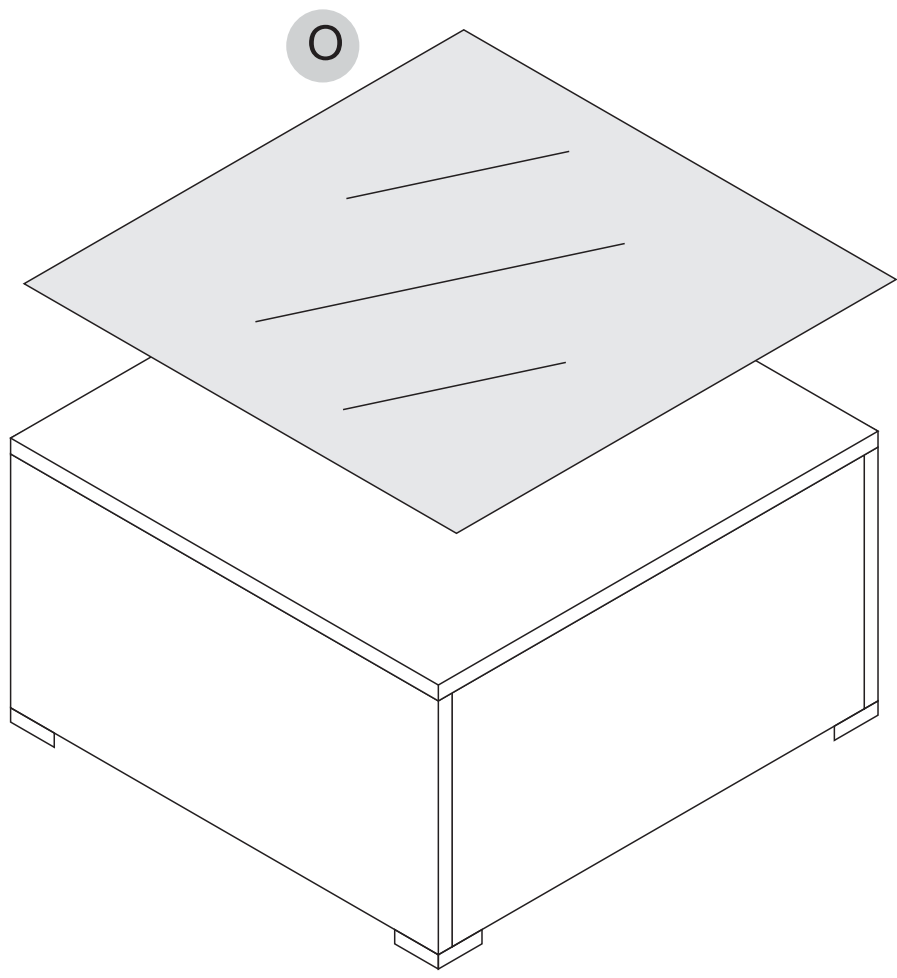
F x4



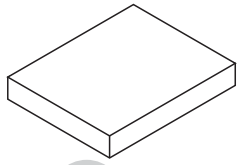
**13**



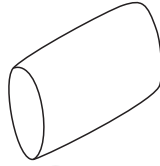
**O** x1



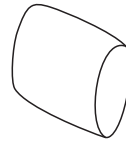
14



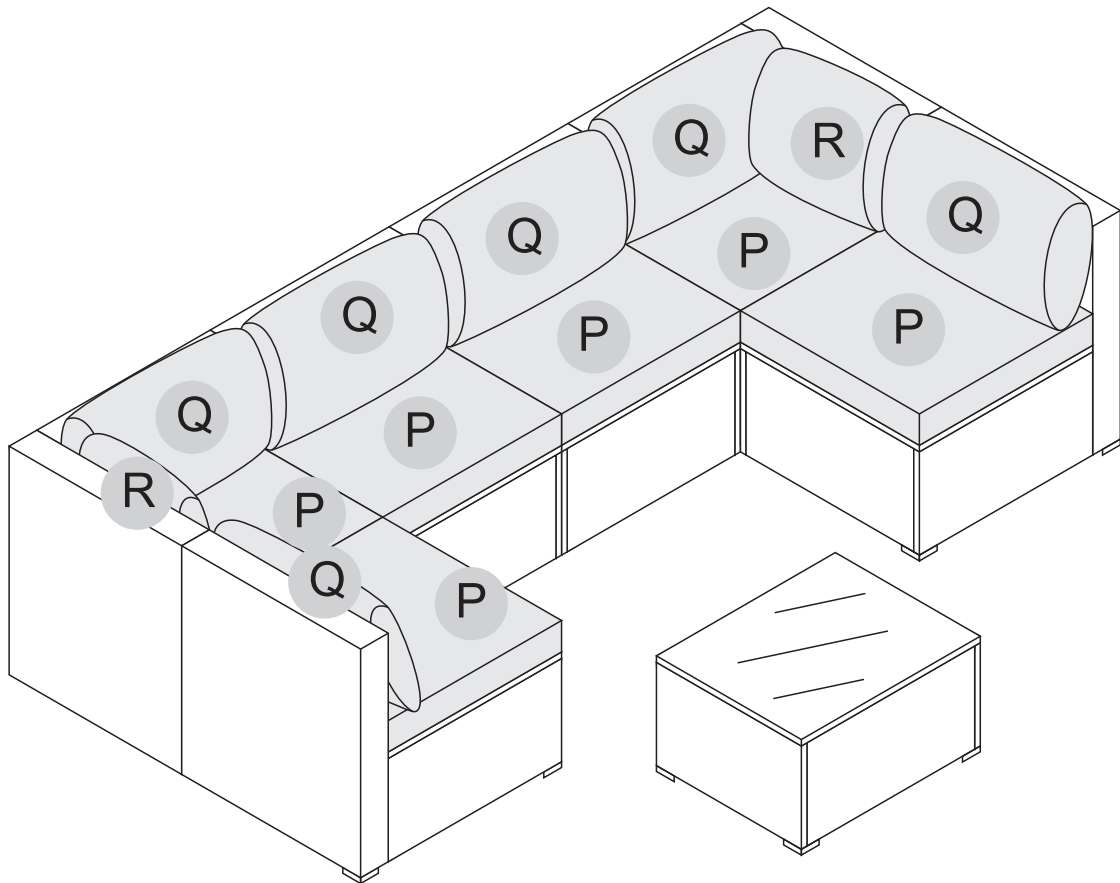
P x6



Q x6



R x2



# Care and Maintenance

## **Routine Cleaning:**

Clean the rattan surfaces using a solution of mild soap and warm water.

DO NOT use cleaners containing bleach, acid, or abrasive agents, as these may damage the finish.

Always allow the furniture to air dry naturally in a well-ventilated area.

## **PE Rattan Care:**

All-weather PE resin wicker is designed to withstand UV rays and rain.

However, to prolong the product's lifespan and minimize dust buildup, we strongly recommend using Furniture Covers during extended periods of non-use (e.g., during winter months).

## **Cushion Care:**

Before cleaning, please verify if the cushion covers are removable.

Washing Instructions: Hand wash with cold water or professional dry clean only.

Do not bleach.

To maintain the shape and loft of the cushions, please fluff and rotate cushions regularly.

## **Final Checks Before Use**

1. Ensure all bolts and screws are fully tightened (now that all parts are in place).
2. Check that all connections are secure and nothing wobbles.
3. Gently test stability by applying slight pressure.
4. Make sure all cushions are properly seated and comfortable.
5. Keep the area around the furniture clear of children and pets.

## **Warranty & Customer Service**

### **Warranty:**

Limited 1-Year Manufacturer's Warranty Does NOT cover normal wear & tear, misuse, or commercial use.

### **Contact Information:**

If you have any questions or concerns, please contact our support team at

Email: [info@serviceprohelp.com](mailto:info@serviceprohelp.com)

### **Warranty Policy:**

This product comes with a one-year limited warranty from the date of purchase, covering manufacturing defects in materials and workmanship.

### **Replacement Parts:**

In the event of missing parts or shipping damage, please contact us immediately.

To expedite your request, please provide: Your order ID.

Clear photos of the damage or the issue.

The specific Part Number(s) as listed in the assembly manual.

We will arrange for replacement parts to be shipped to you as soon as possible.

**Product name:** Wicker Rattan Furniture Set

**Manufacturer:** Auhui Hao Bo Furniture Co. ,Ltd.

**Manufacturer Address:** Fu du town economic development zone.  
Wuwei City Wuhu Province.

**Importer address :** 3285 De Forest Cir, Jurupa Valley, CA 91752

**Telephone:** (646) 956-1541

**Made in China**