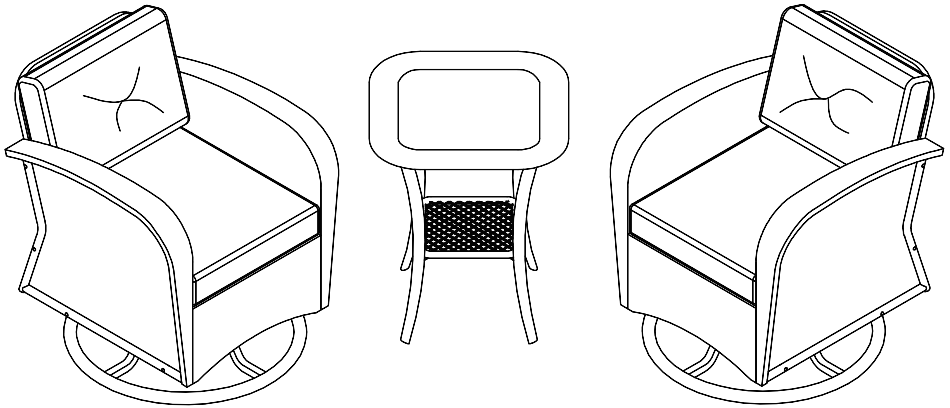


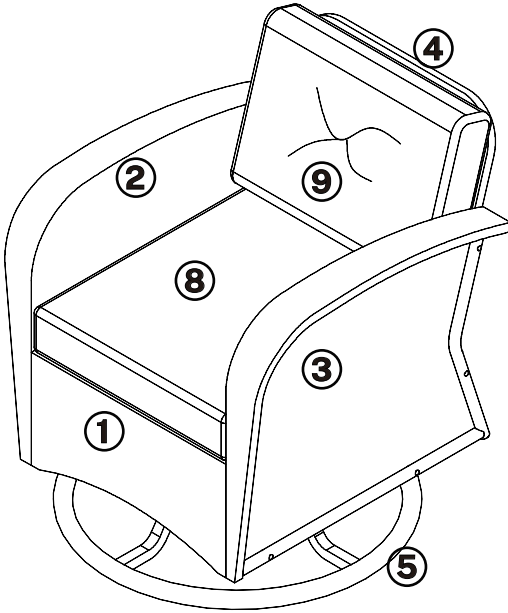
Assembly Instruction

OUTDOOR ROCKING CHAIR SET

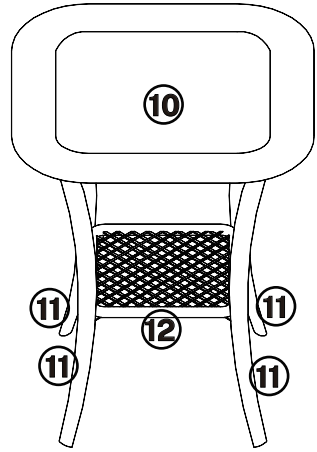


If you have any questions, please reach out to us at info@serviceprohelp.com.

Exploded View



X 2



X 1

Safety Information

IMPORTANT: READ ALL INSTRUCTIONS BEFORE ASSEMBLY AND USE. FAILURE TO FOLLOW THESE INSTRUCTIONS MAY RESULT IN SERIOUS INJURY OR PROPERTY DAMAGE.

UNDERSTANDING SAFETY SIGNAL WORDS (ANSIZ535)

▲DANGER:

Indicates a hazardous situation which, if not avoided, **will** result in death or serious injury.

▲WARNING:

Indicates a hazardous situation which, if not avoided, could result in death or serious injury.

▲CAUTION:

Indicates a hazardous situation which, if not avoided, could result in minor or moderate injury.

▲NOTICE:

Addresses practices not related to physical injury (e.g., product damage).

▲WARNING: GENERAL SAFETY

• WEIGHT CAPACITY:

Max 330lbs (150kg) per chair. Table Max: 110lbs (50kg) distributed.
Do not exceed these limits.

• TIP-OVER HAZARD:

Do not stand on armrests, backrests, or the table. Do not use the product as a step ladder or climbing structure.

• CHILD SAFETY:

This product contains small parts which may present a choking hazard to children under 3 years of age. Keep all hardware and plastic bags away from children and pets.

• GLASS SAFETY:

The table contains tempered glass. Although tempered glass is stronger than standard glass, it can still shatter if struck on the edge or dropped. Never sit or stand on the glass table.

Safety Information

▲ CAUTION: ASSEMBLY & USE

- **PINCH POINTS:**

Keep hands and fingers clear of moving parts and connection points during assembly and while rocking.

- **STABILITY:**

Always assemble and use this product on a flat, level, and stable surface.

- **HOT SURFACES:**

Metal frames and glass can become hot in direct sunlight. Test the surface temperature before use to avoid burns.

CARE & MAINTENANCE

- **HARDWARE CHECK:**

Screws may loosen over time. **Check and re-tighten all bolts every 2-3 months.**

- **CLEANING:**


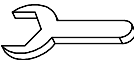
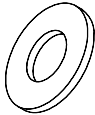
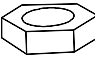
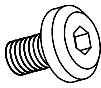

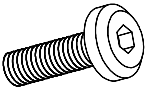
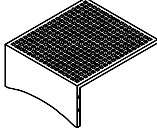
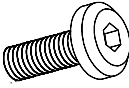
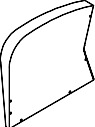
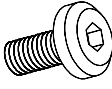
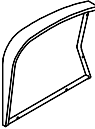
Use mild soap and water only. Do not use bleach, sheel wool, or harsh chemicals (acetone, ammonia).

- **WEATHER:**

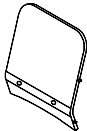
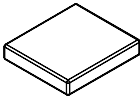
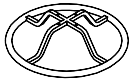
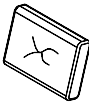
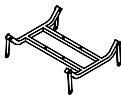
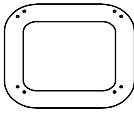


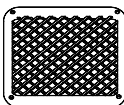
Store cushion indoors when not in use. Use a breathable furniture cover if leaving the frame outdoors for extended periods.

Part List & Hardware

NOTE: The quantities below represent the parts required for the **ENTIRE SET** (2 Chairs + 1 Table).

Item no.	Reference Image	Qty.	Item no.	Reference Image	Qty.
A	 Allen key	1	G	 Wrench	1
B	 Washer M6	72	H	 Nut M6	24
C	 Screw M6*15mm (Short)	12	I	 Metal Plate	8
D	 Screw M6*45mm (Long)	16	1	 Seat Panel	2
E	 Screw M6*35mm (Long)	16	2	 Right Arm Frame	2
F	 Screw M6*25mm (Short)	12	3	 Left Arm Frame	2

Part List & Hardware

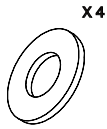
Item no.	Reference Image	Qty.	Item no.	Reference Image	Qty.
4	 Backrest Panel	2	8	 Seat Cushion	2
5	 Swivel Base Ring	2	9	 Back Cushion	2
6	 H-Frame Support	2	10	 Glass Top Frame	1
7	 Swivel Plate Mechanism	2	11	 Table Leg	4
			12	 Shelf Frame	1

BEFORE YOU START

1. Work on a clean, flat, and level surface.
2. Confirm all listed parts and hardware are present.
3. Use only the included Allen key. Do not use a power drill.
4. Two-Stage Screw Tightening:
 - a. Initial Fit: Align all parts and tighten screws until snug (about 50%).
 - b. Final Tightening: Once assembly is complete and correctly aligned, fully tighten all screws.
5. If parts do not align easily, slightly loosen nearby screws, adjust the position, and then retighten.

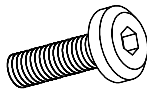
Installation Steps

Step 1



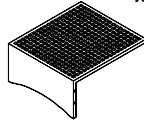
X4

B Washer M6



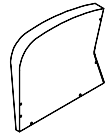
X4

D Screw M6*45mm (Long)



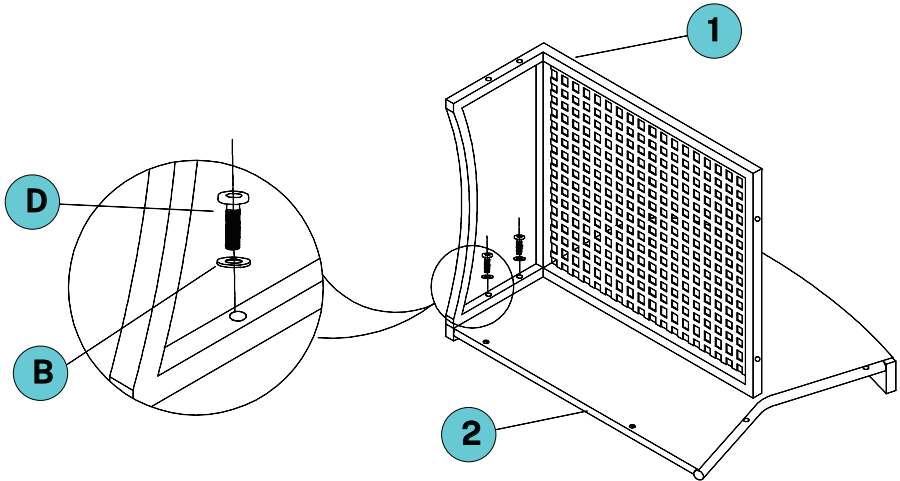
X2

1 Seat Panel

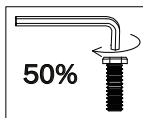


X2

2 Right Arm Frame

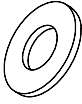


X 2



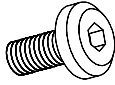
Step 2

X4



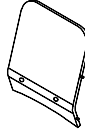
B Washer M6

X4

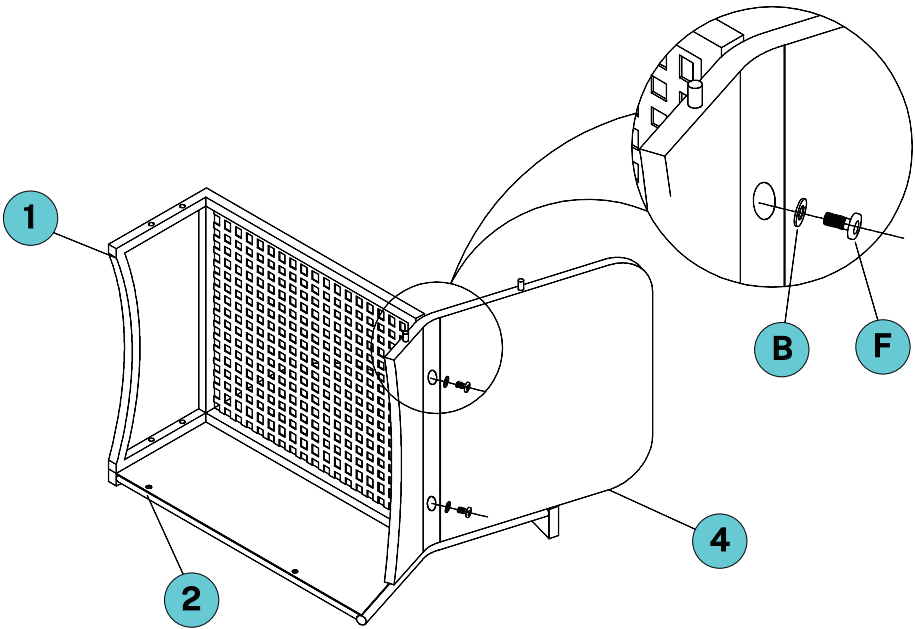


F Screw M6*25mm (Short)

X2



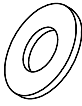
4 Backrest Panel



X 2

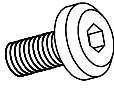
Step 3

X4



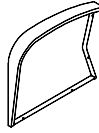
B Washer M6

X4

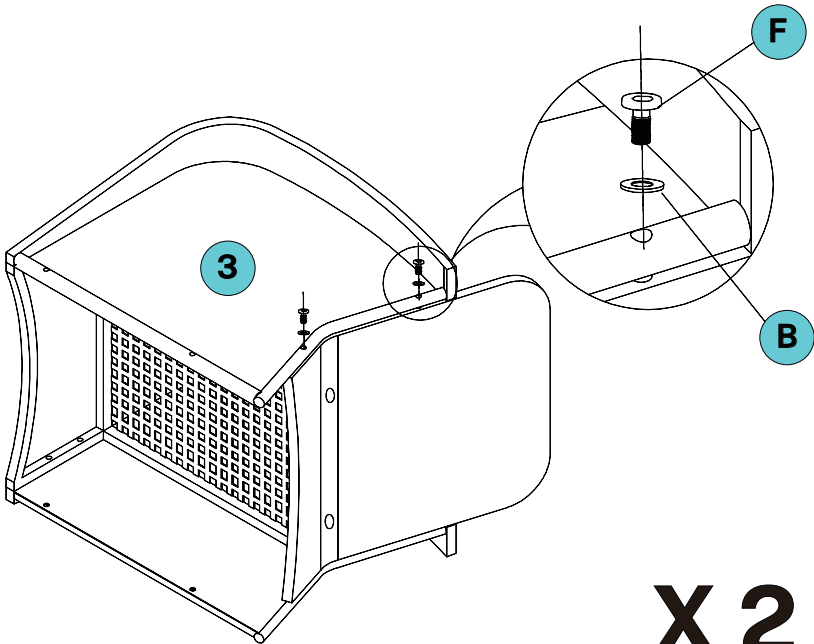


F Screw M6*25mm (Short)

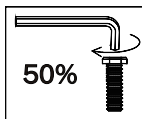
X2



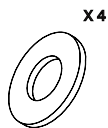
3 Left Arm Frame



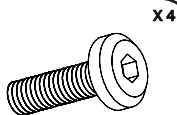
X 2



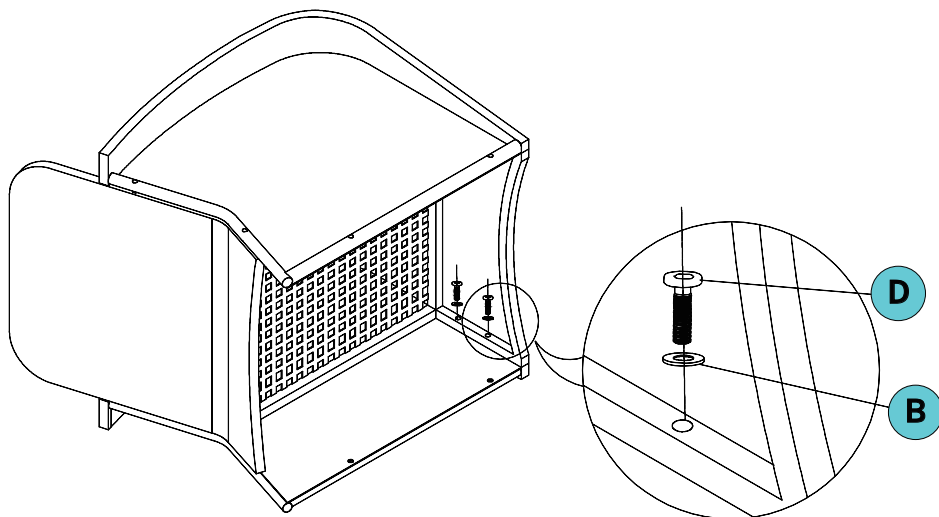
Step 4



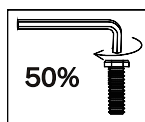
B Washer M6



D Screw M6*45mm (Long)



X 2



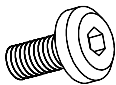
Step 5

X 4

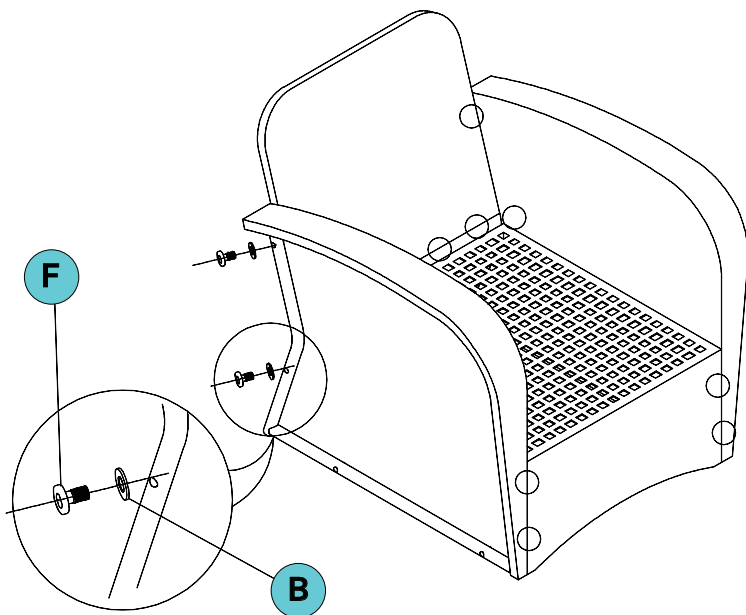


B Washer M6

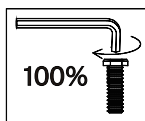
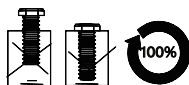
X 4



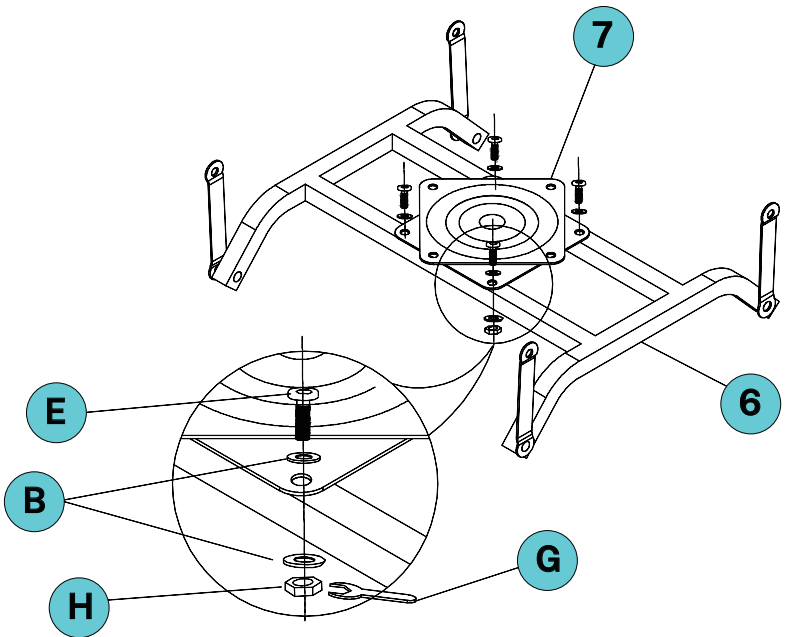
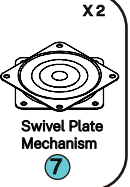
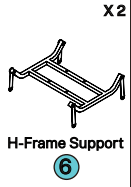
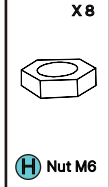
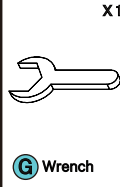
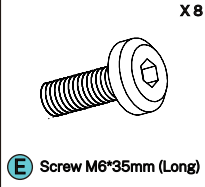
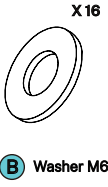
F Screw M6*25mm (Short)



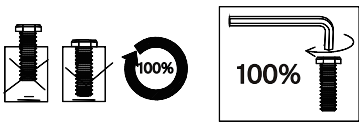
X 2



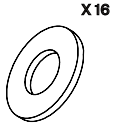
Step 6



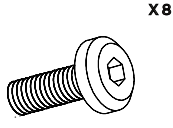
X 2



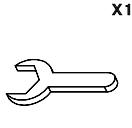
Step 7



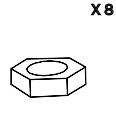
B Washer M6



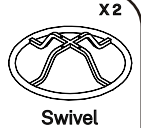
E Screw M6*35mm (Long)



G Wrench

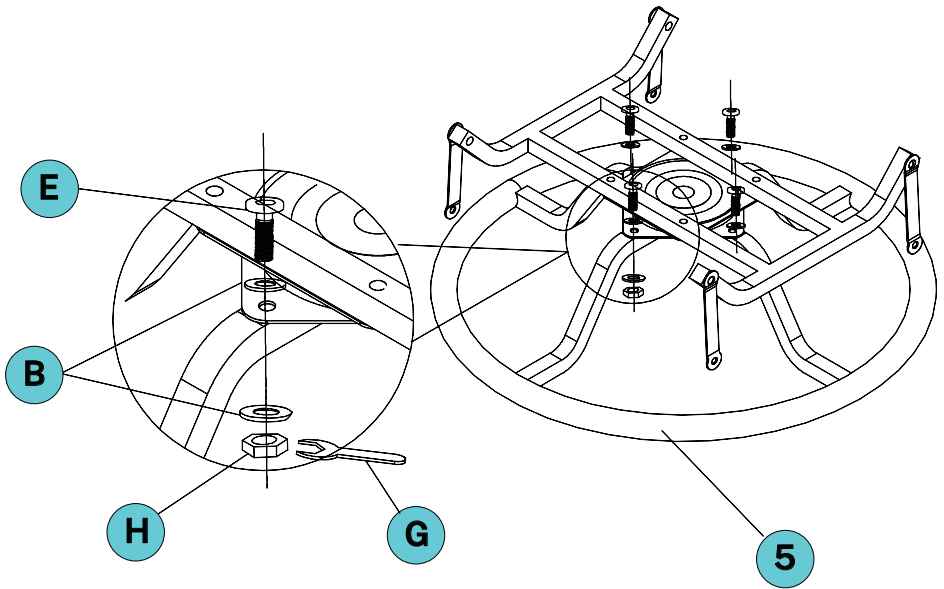


H Nut M6

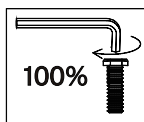


Swivel
Base Ring

5

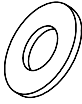


X 2



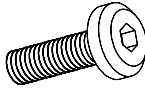
Step 8

X 8



B Washer M6

X 8



D Screw M6*45mm (Long)

X 1



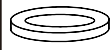
G Wrench

X 8

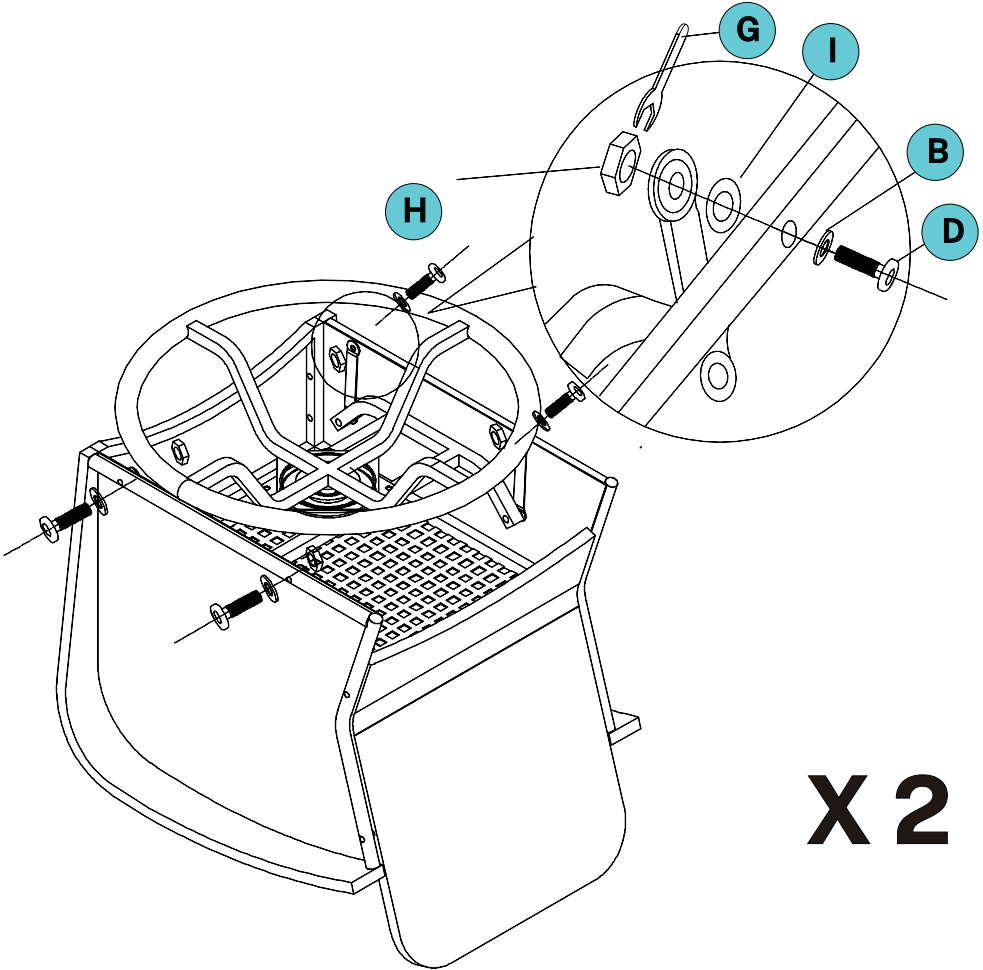


H Nut M6

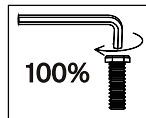
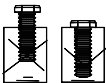
X 8



I Metal Plate

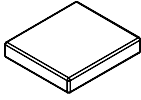


X 2



Step 9

X2

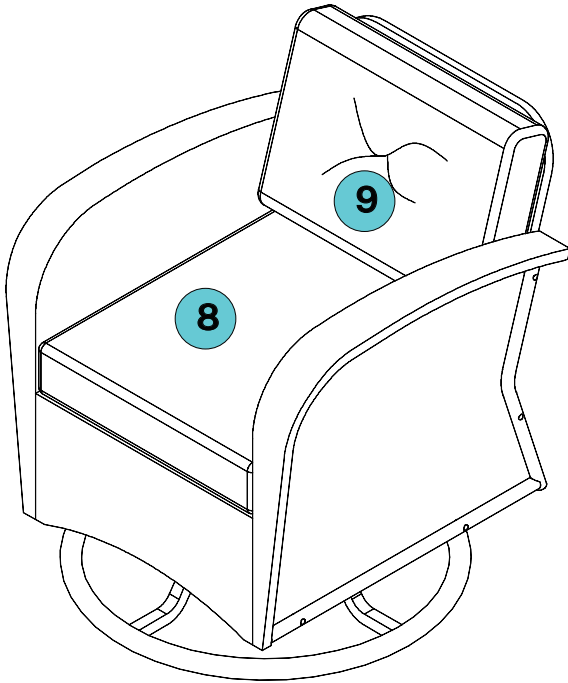


8 Seat Cushion

X2

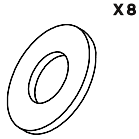


9 Back Cushion



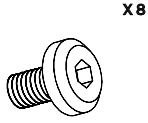
X 2

Step 10



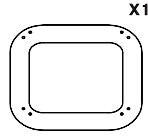
X 8

B Washer M6



X 8

C Screw M6*15mm (Short)



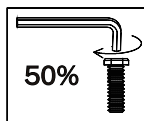
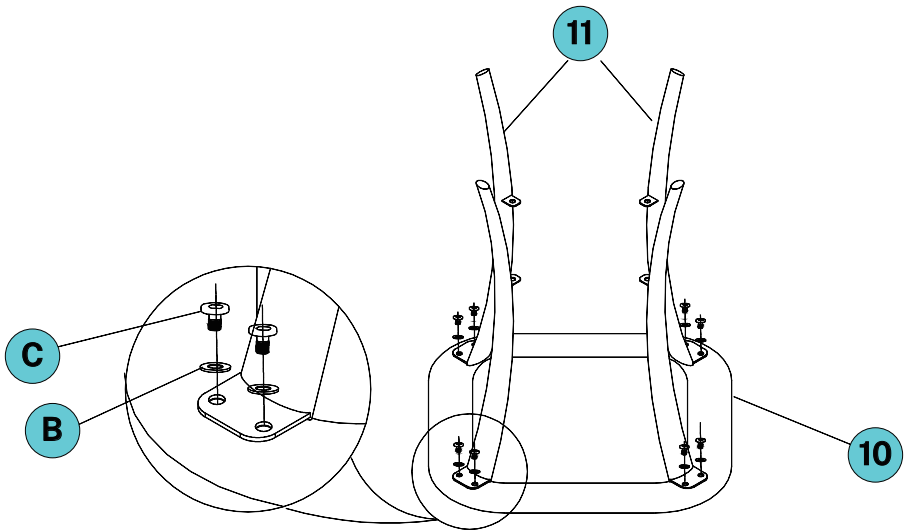
X 1

10 Glass Top Frame

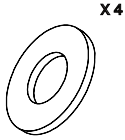


X 4

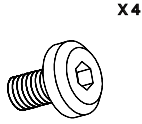
11 Table Legs



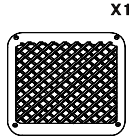
Step 11



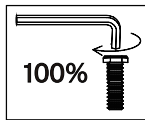
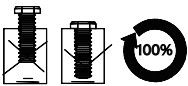
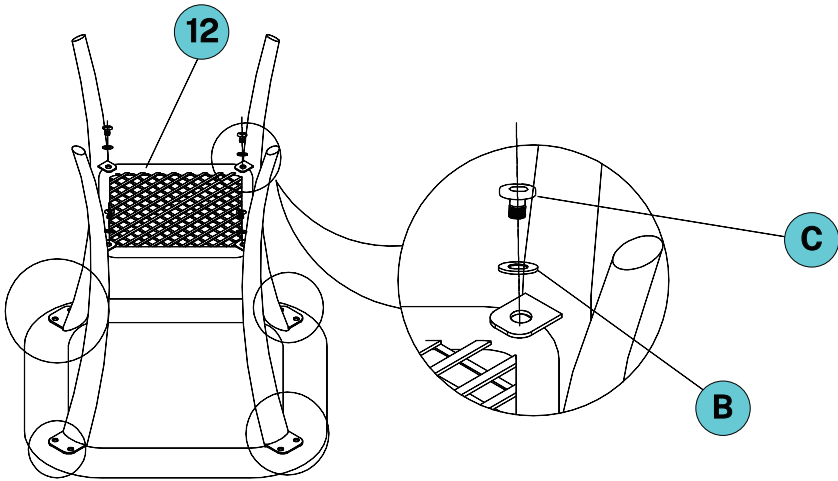
B



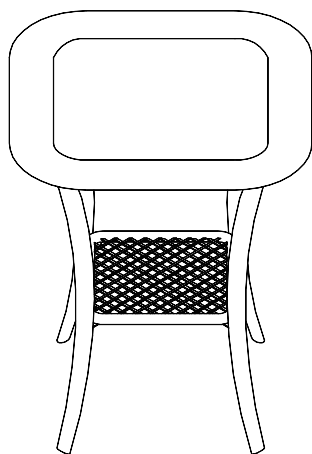
C Screw M6*15mm (Short)



12 Shelf Frame



Step 12



Step 13

