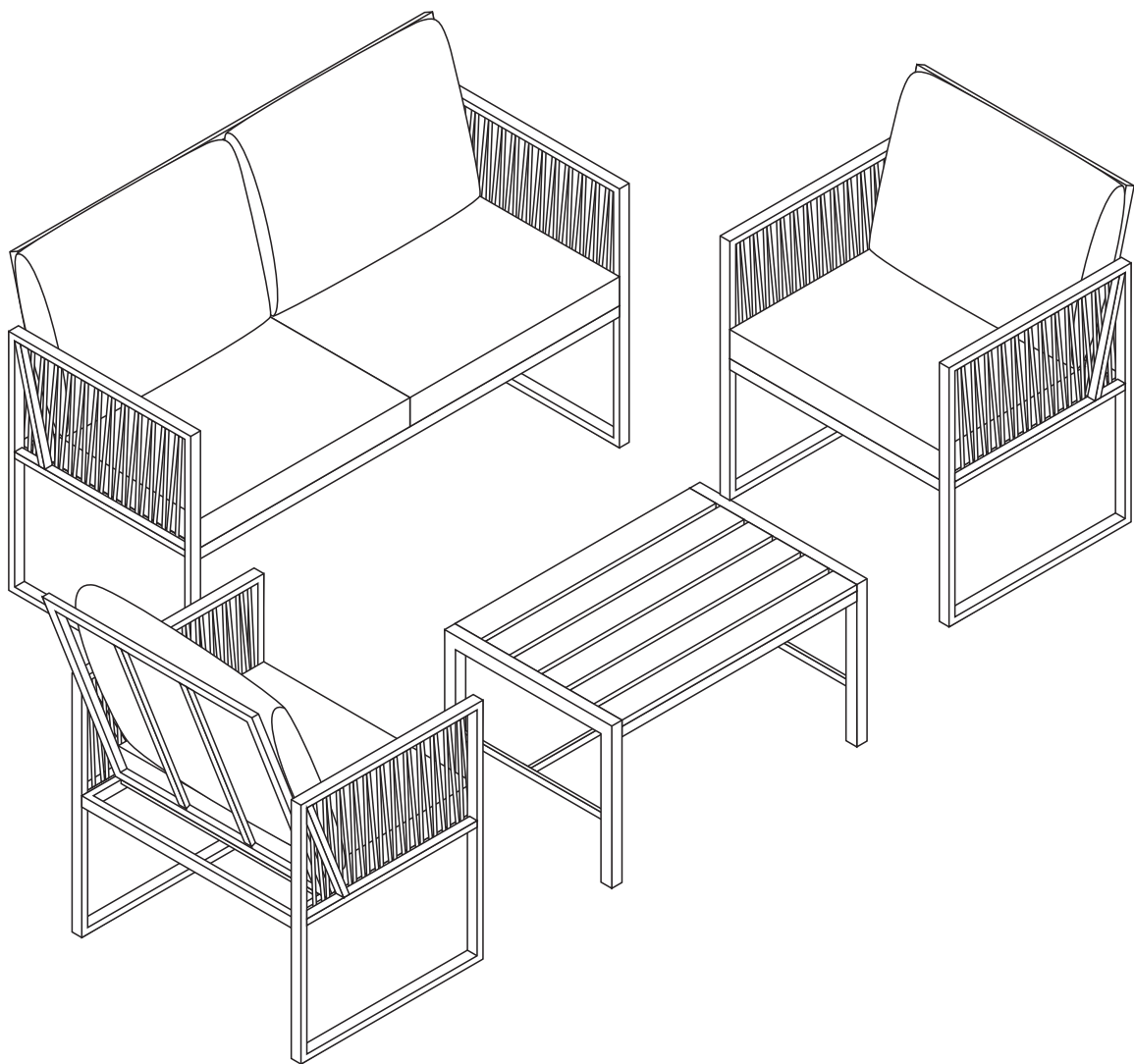
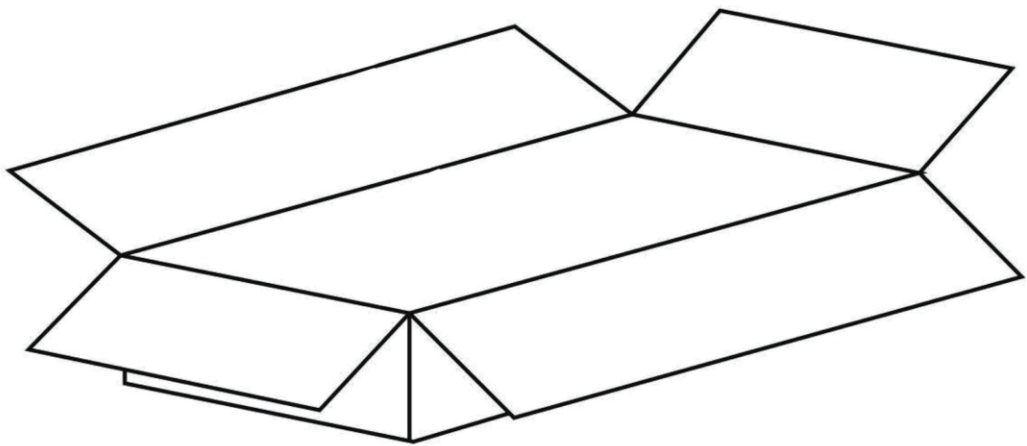


# Assembly Instruction



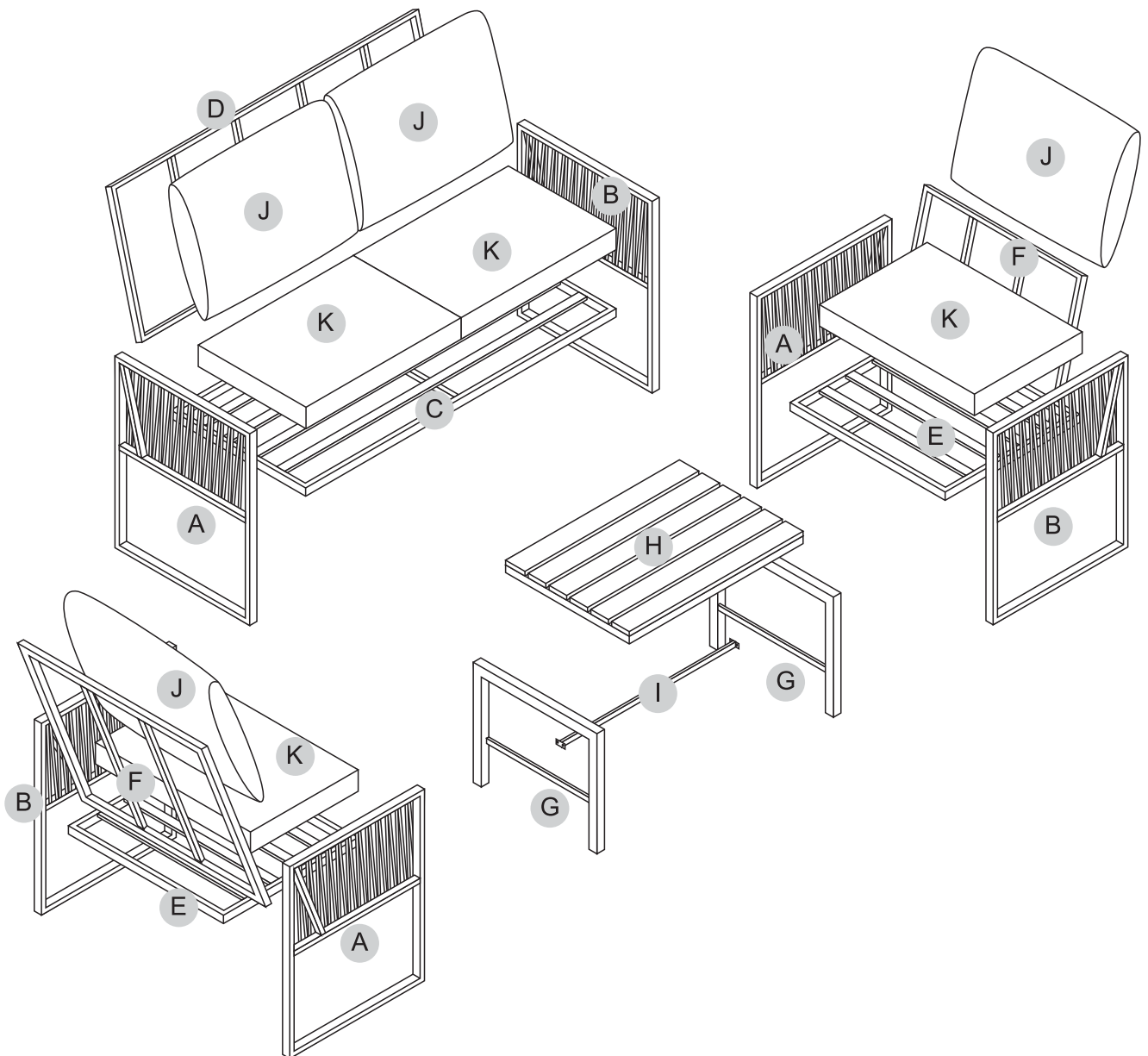


## **Caution:**

Straps may snap back when removed and cause injury. Handle with care.

# Product Overview

Elevate your outdoor living experience with our premium 4-piece rattan sectional sofa set. Designed with both style and comfort in mind, this versatile set allows you to rearrange the modular pieces into various configurations to fit your space — whether it's a cozy poolside corner or a spacious patio for entertaining. Crafted with hand-woven, all-weather resin wicker, this set brings a modern, sophisticated look to any backyard



# IMPORTANT SAFETY INFORMATION

## **DANGER – Immediate Hazards Which WILL Cause Severe Injury or Death**

### **Glass Tabletop Hazard**

- The glass tabletop is heavy and may break if dropped or struck.
- Never stand, sit, kneel, or place heavy objects on the glass surface.
- Use extreme care when assembling or cleaning. Although tempered glass is used, it can still break upon impact.

### **Tip-Over Hazard**

- Unassembled or partially assembled furniture is unstable and poses a tipping risk.
- Always assemble the product on a flat, level, and stable surface. Do not use the product until it is fully assembled.
- This product contains small parts. Keep children away during assembly to prevent accidental swallowing or choking.

## **WARNING – Hazards That MAY Cause Serious Injury or Death**

### **Weight Capacity**

- Maximum weight per seat: 250 lbs
- Maximum distributed weight for the table: 50 lbs (22.7 kg)

### **Choking Hazard**

- Contains small parts. Not intended for children under 3 years of age.
- Keep all small hardware components away from children and pets to prevent choking.

### **Pinch Points**

- Keep hands and fingers clear of moving parts and connecting components during assembly to avoid pinching or crushing injuries.

### **Proper Use**

- For outdoor residential use only. Not intended for commercial applications.
- Do not stand on armrests, backrests, or table frames.

### **Intended Users**

- Designed for adults and children aged 14 years and older.
- Users with limited mobility, strength, or experience must be supervised while using the product.

### **Child Safety Reminder**

- Never leave children unattended near this furniture.
- This product is not a toy or climbing structure.
- Children should never play on or around the furniture.

## **CAUTION – Hazards That MAY Cause Minor Injury or Product Damage**

### **Fire Safety**

- Keep furniture away from open flames, grills, fire pits, and other heat sources.
- Cushions are NOT fireproof.

### **Stability**

- Always place the furniture on a flat, level surface.
- In high winds, bring lightweight components and cushions indoors to prevent tipping or damage.

### **Weather Exposure**

- While the product is weather-resistant, avoid long-term exposure to direct sunlight, heavy rain, or snow.
- Use a breathable furniture cover when storing the product outdoors for extended periods.

## **MAINTENANCE & CARE INSTRUCTIONS**

### **Cleaning**

- Use only mild soap and warm water to clean rattan surfaces.
- Do NOT use bleach, abrasives (e.g., steel wool), or harsh chemicals (e.g., acetone, ammonia), as these may damage the finish.
- Always allow the furniture to air dry naturally in a well-ventilated area.

### **Screws & Hardware**

- Check and tighten all bolts every 2–3 months to prevent loosening over time.

### **Cushion Care**

- Store cushions indoors when not in use and keep them dry to avoid mold growth.
- If left outside for long durations, cover cushions with a breathable protective cover.
- Before cleaning, verify if cushion covers are removable.
- Washing instructions: Hand wash with cold water or professional dry clean only. Do not bleach.
- To maintain shape and loft, fluff and rotate cushions regularly.

### **PE Rattan Care**

- All-weather PE resin wicker is designed to withstand UV rays and rain.
- To prolong the product's lifespan and minimize dust buildup, use furniture covers during extended periods of non-use (e.g., winter months).

## **Furniture Care**

- Protect the furniture from prolonged direct sunlight, heavy rain, or snow.
- Move lightweight components indoors during high winds.

# **FINAL CHECKS BEFORE USE**

- Ensure all bolts and screws are fully tightened after all parts are assembled.
- Verify that all connections are secure and no components wobble.
- Gently test stability by applying slight pressure to the furniture.
- Confirm all cushions are properly seated and comfortable.
- Keep the area around the furniture clear of children and pets before use.

# **WARRANTY & CUSTOMER SERVICE**

## **Warranty**

- Limited 1-Year Manufacturer's Warranty: Covers manufacturing defects in materials and workmanship from the date of purchase.
- Does NOT cover: Normal wear & tear, misuse, or commercial use.

## **Customer Service**

- For questions or concerns, contact our support team at: Email: [info@serviceprohelp.com](mailto:info@serviceprohelp.com)
- For missing parts or shipping damage:
  1. Provide your order ID.
  2. Attach clear photos of the damage or issue.
  3. Include the specific Part Number(s) listed in the assembly manual.
- Replacement parts will be shipped as soon as possible after your request is received.

**Product name:** Wicker Rattan Furniture Set

**Manufacturer:** Auhui Hao Bo Furniture Co., Ltd.

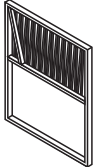

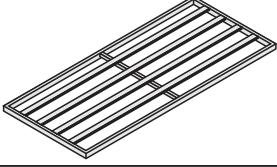
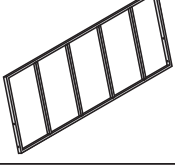
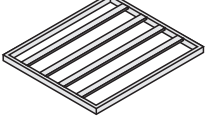
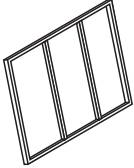
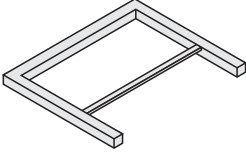
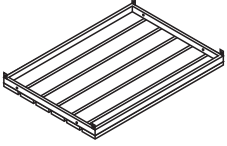
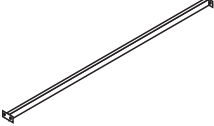
**Manufacturer Address:** Fu du town economic development zone.  
Wuwei City Wuhu Province.

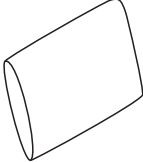
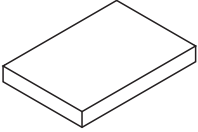



**Importer address :** 3285 De Forest Cir, Jurupa Valley, CA 91752

**Telephone:** (646) 956-1541

**Made in China**

# Part List&Hardware

Item no.	Reference Image	Qty.
A		x3
B		x3
C		x1
D		x1
E		x2
F		x2
G		x2
H		x1
I		x1

Item no.	Reference Image	Qty.
J		x4
K		x4
L	 M6x35mm	x28
M	 M6x15mm	x8
N		x1

**1**



M6x35mm

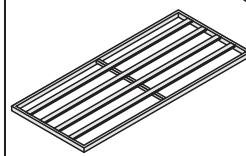
**L** x4



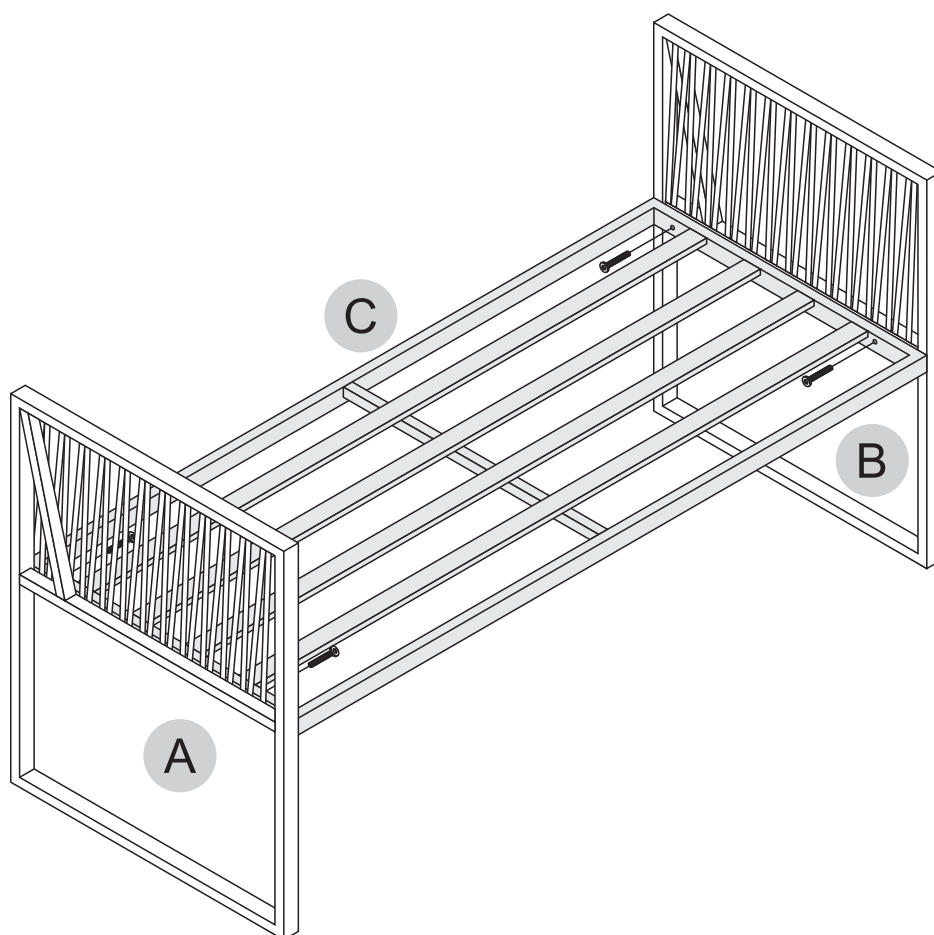
**A** x1



**B** x1



**C** x1



**3**



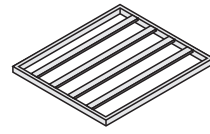
**L** x4



**A** x1

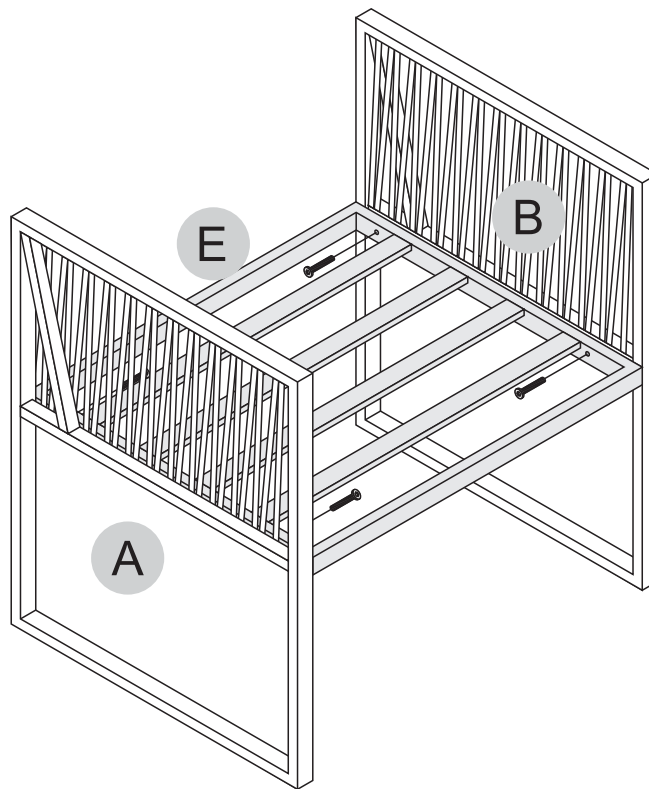


**B** x1



**E** x1

**x2**

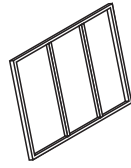


4



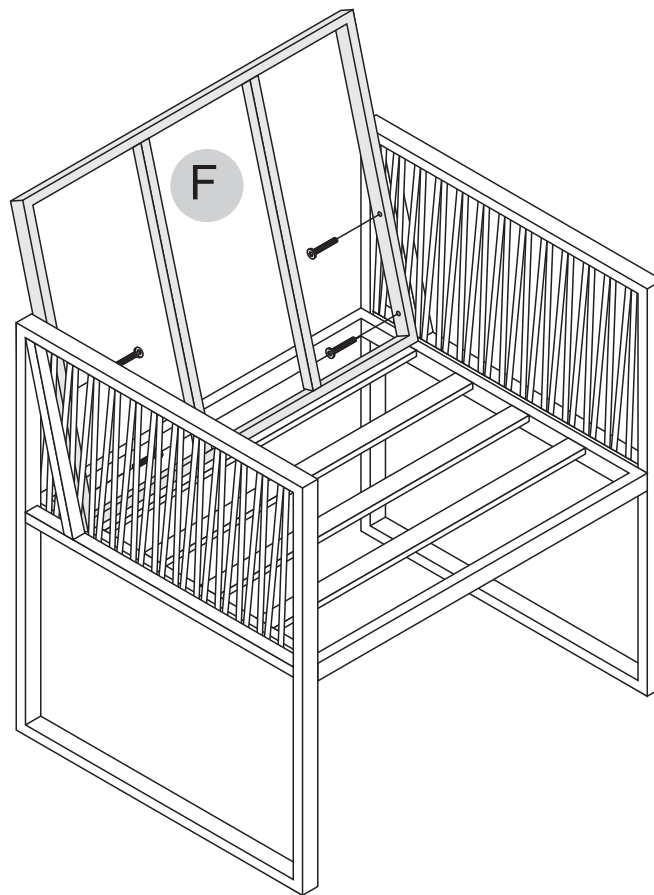
M6x35mm

L x4



F x1

x2



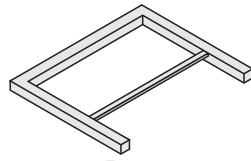
**5**

  
M6x35mm

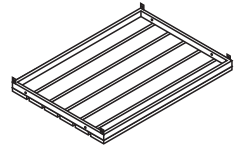
**L** x4

  
M6x15mm

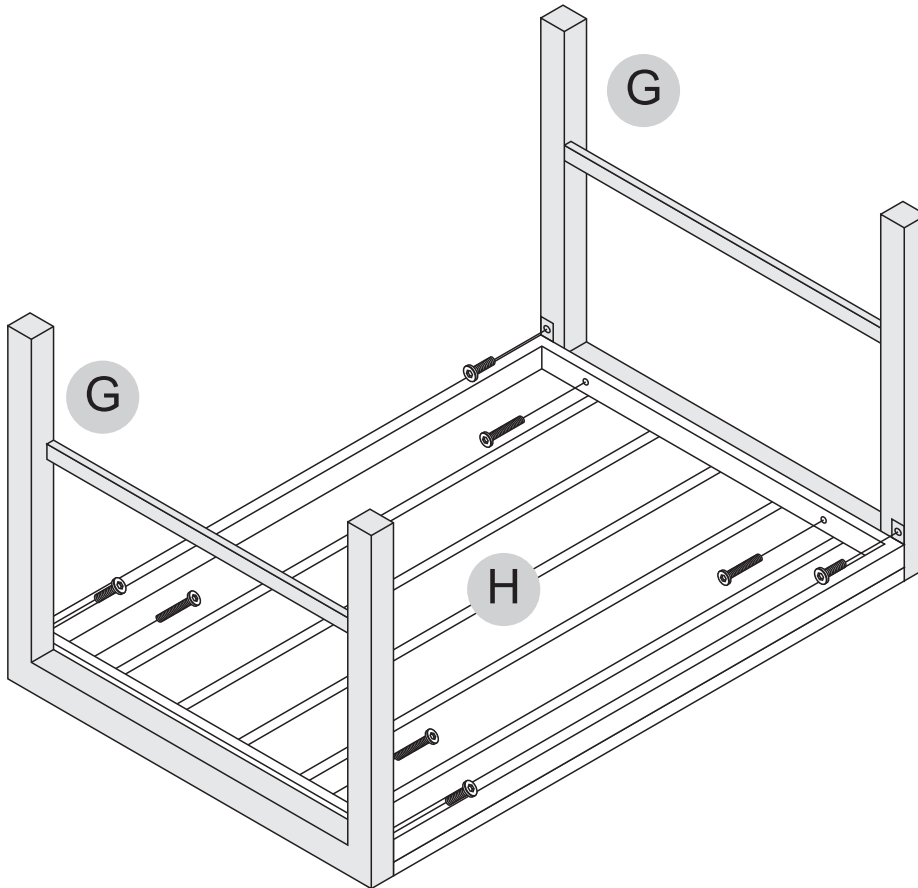
**M** x4



**G** x2



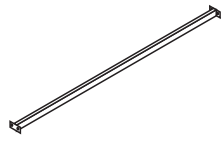
**H** x1



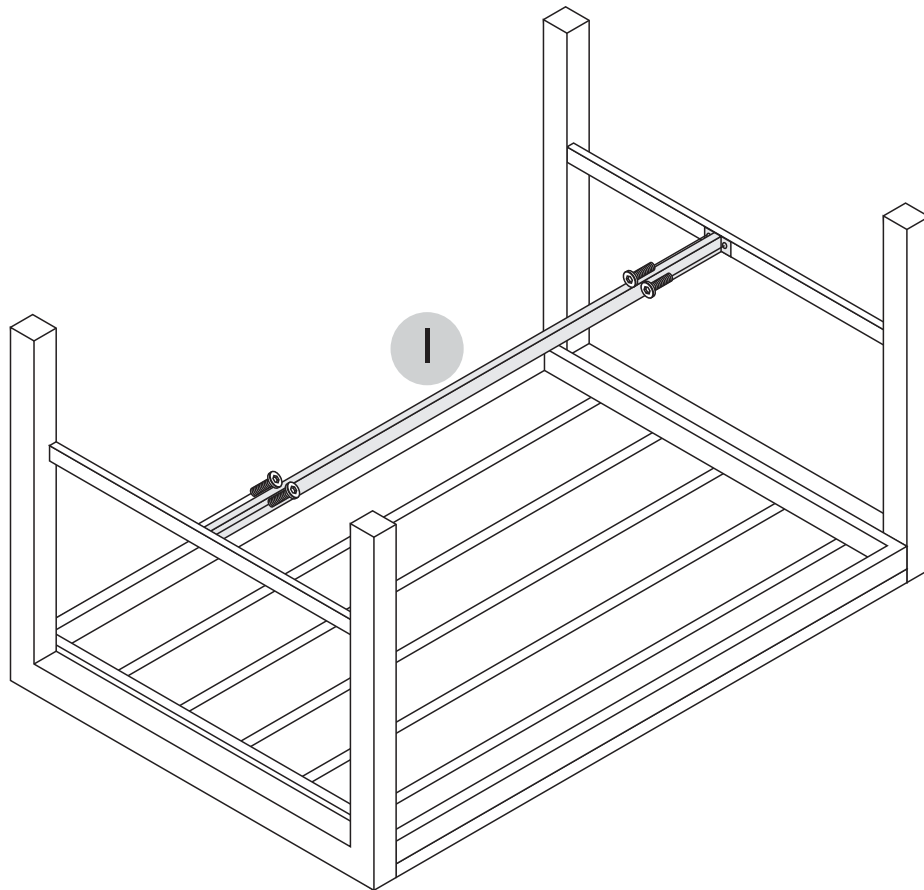
6

  
M6x15mm

M x4



I x1



**7**

**J** x4

**K** x4

