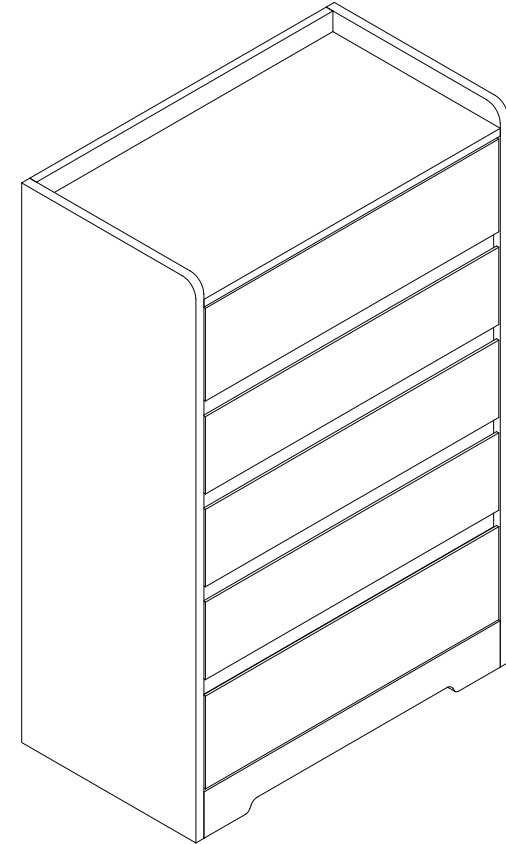


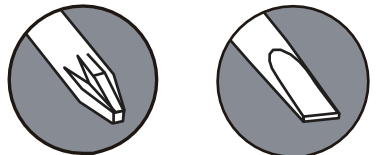
# Paproos

Model: FFLWM009NL FFLWM009WE



[info@serviceprohelp.com](mailto:info@serviceprohelp.com)

## PLEASE READ CAREFULLY



TOOLS REQUIRED



Move this piece of furniture gently with two people.



Two people are required for assembly.



Read this assembly manual carefully, and verify that you have all the parts listed before you begin. Keep your assembly manual for future reference.



Do not place very hot/cold objects on top of any surface. Always use a coaster or mat. Never leave liquids on the surface: Clean immediately with a mild soap and a damp cloth. Never use scouring powder based cleanser.



Protect finishes by placing furniture pieces on a soft carpeted surface during assembly.



## SAFE INFORMATION

**WARNING:** To prevent serious injury or death from furniture tip-overs.

- **NEVER** allow children to climb, stand, or play on any furniture.
- **ALWAYS** supervise children around furniture.
- **KEEP** remote controls, toys, and other attractive items out of reach from the tops of furniture.

**WARNING: ALWAYS** anchor furniture to the wall.

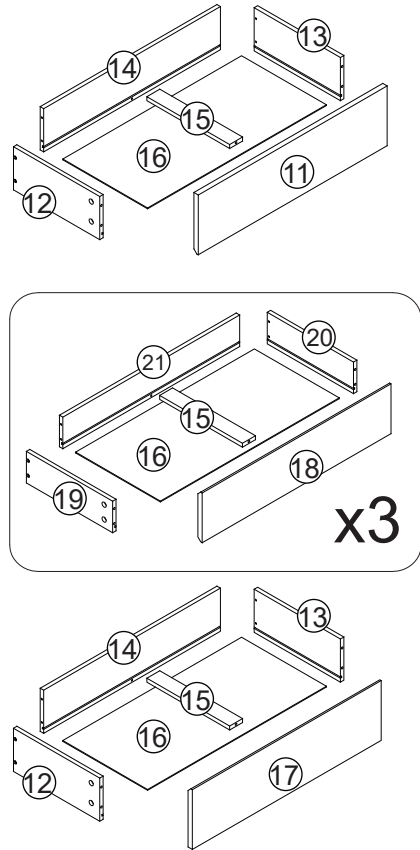
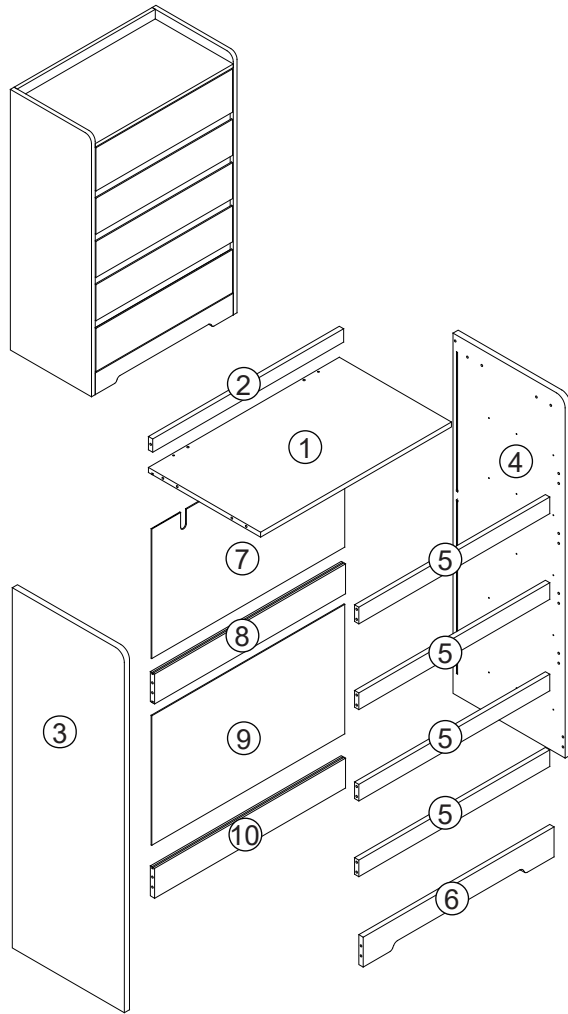
- **Anchoring is ESSENTIAL** to prevent tip-overs.
- **Anchor DIRECTLY** to wall studs or masonry using appropriate hardware.
- **CONSULT** a qualified professional if you are uncertain about your wall construction or how to install anchors properly.
- **REFER** to your television and furniture owner's manuals for model-specific instructions.
- **NEVER** remove wall anchors without first emptying all items from the furniture.

**CAUTION: Use** only furniture designed for **TVs**.

- **Placing a TV** on furniture **NOT** designed for it (e.g., dressers, bookcases) creates a top-heavy, unstable hazard.
- **USE ONLY** furniture specifically designed and rated to support the weight and size of your television.
- **FOLLOW** all manufacturer instructions for installation and weight limits.

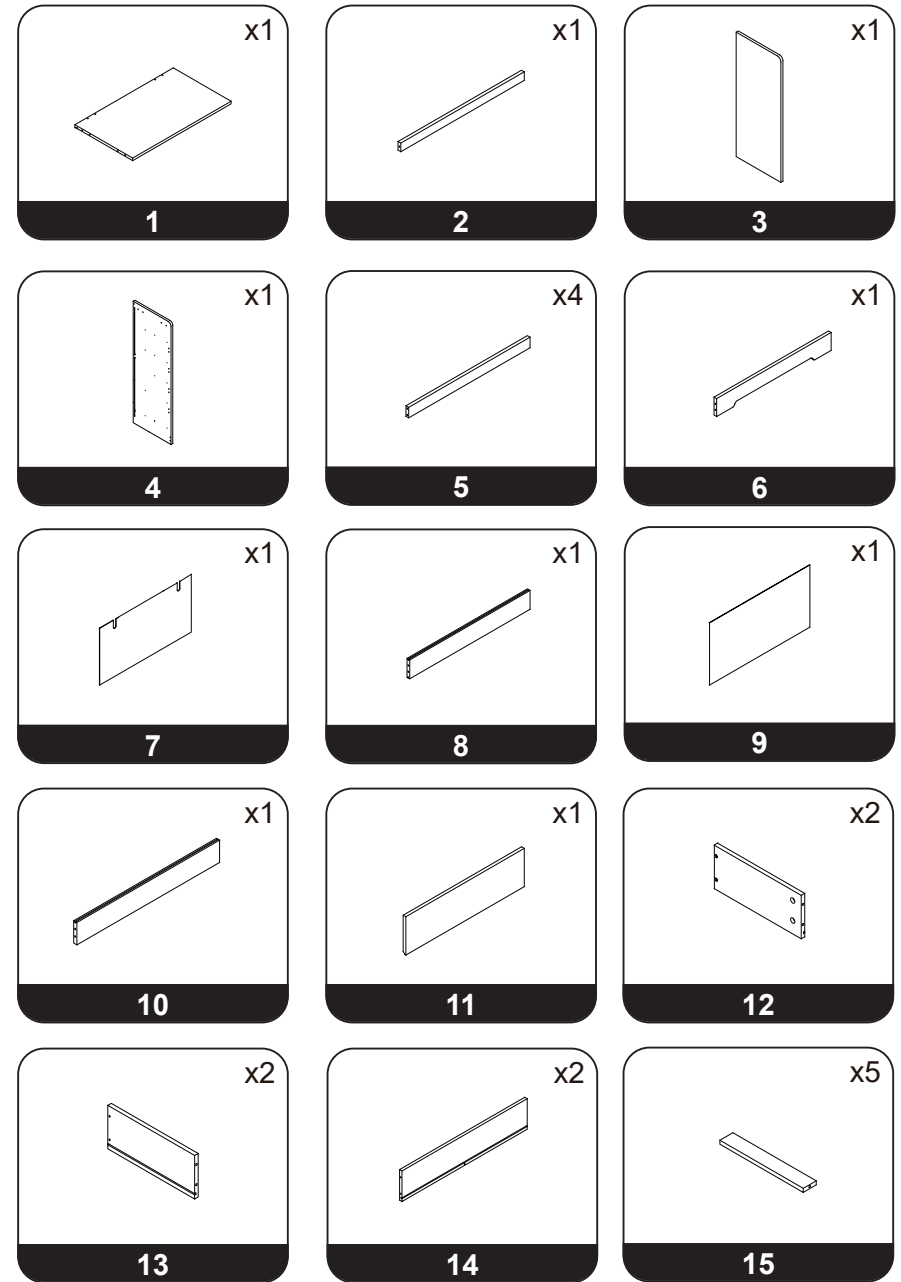
**For** more details, visit <https://www.anchorit.gov/>

# EXPLODED VIEW



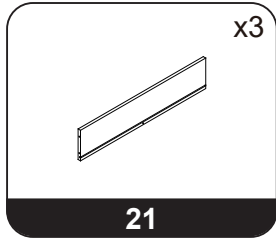
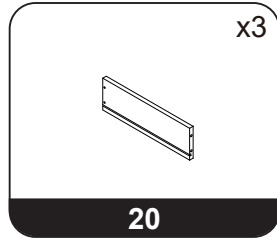
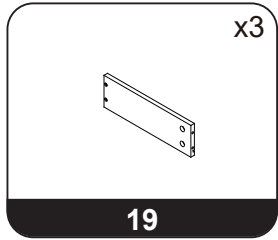
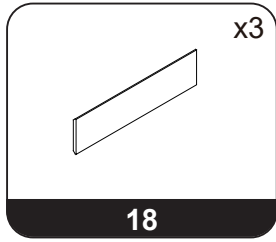
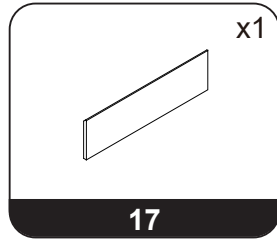
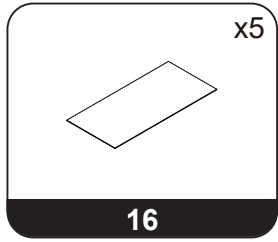
4

# PARTS

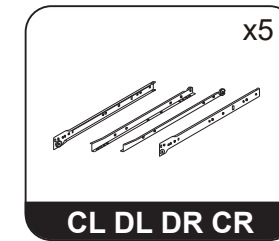
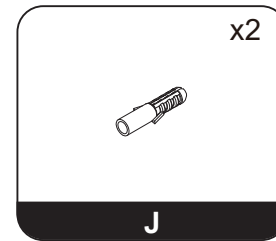
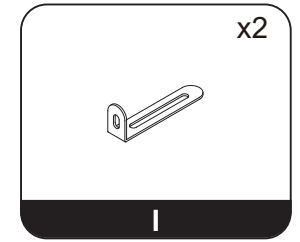
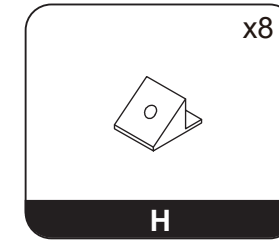
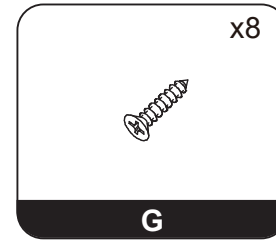
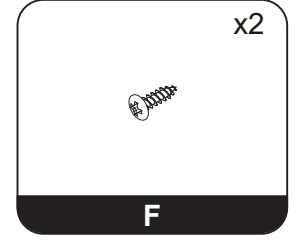
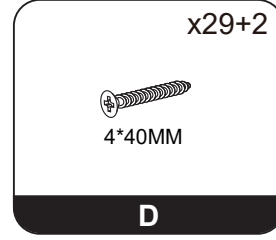
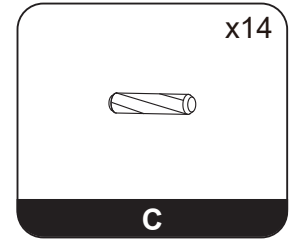
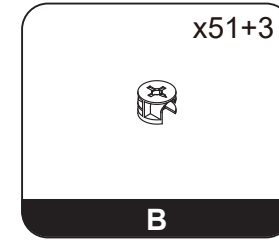
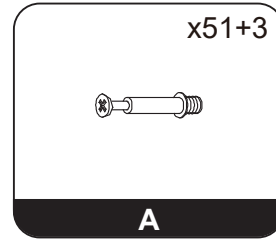


5

# PARTS



# HARDWARE

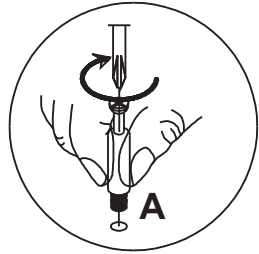
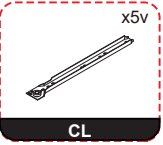
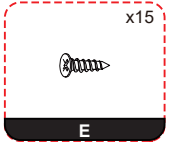
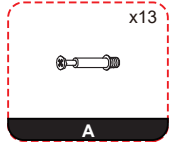
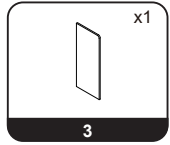


# ASSEMBLY INSTRUCTIONS

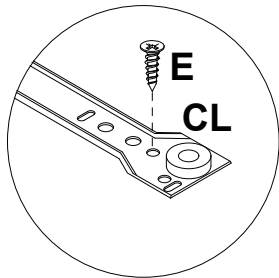
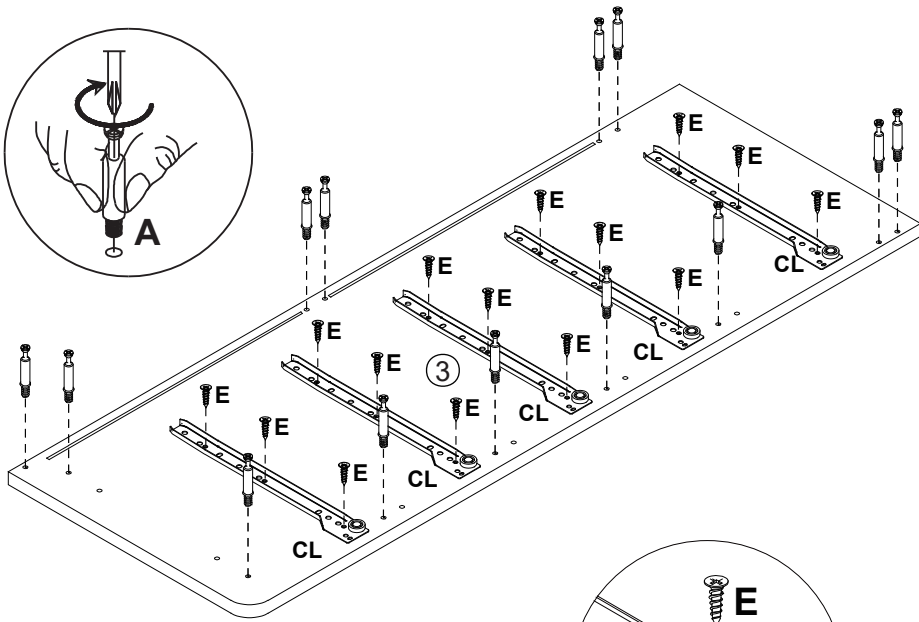


Do not tighten the screws until all of them are fastened into the holes.

## STEP 1

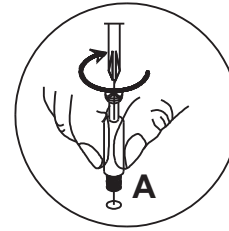
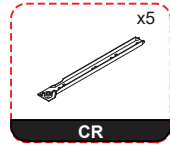
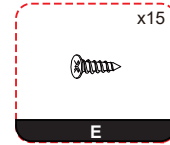
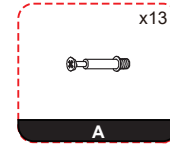
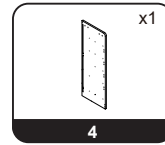


Ax13

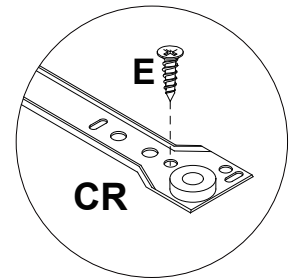
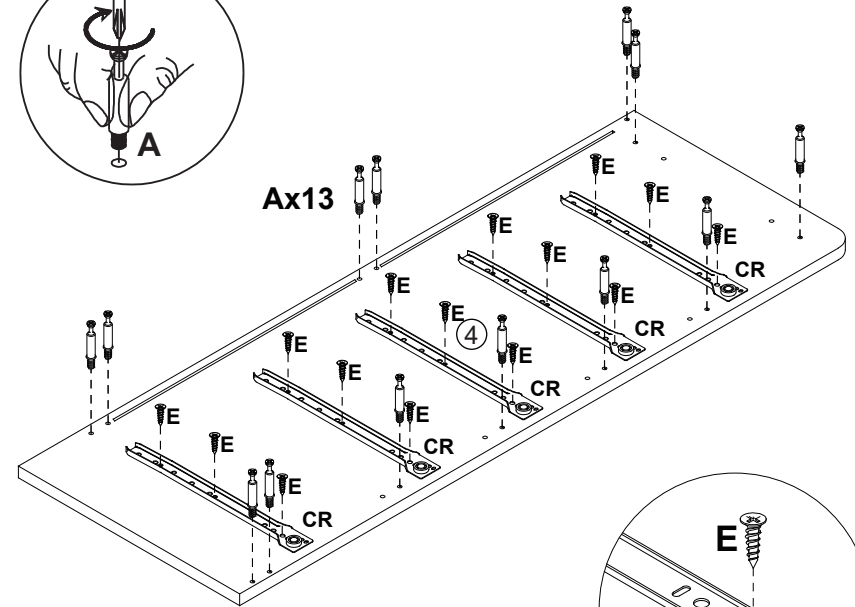


8

## STEP 2

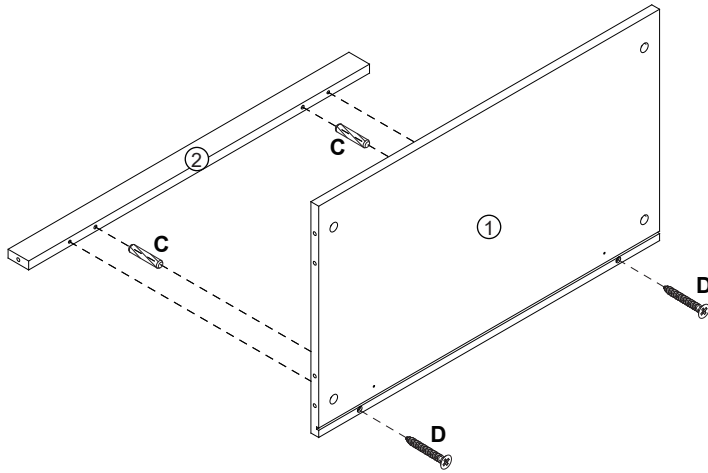
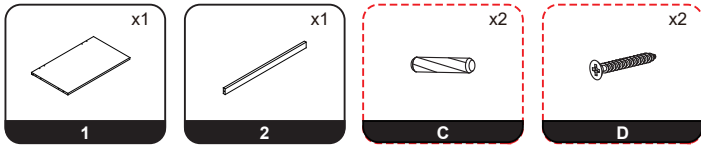


Ax13

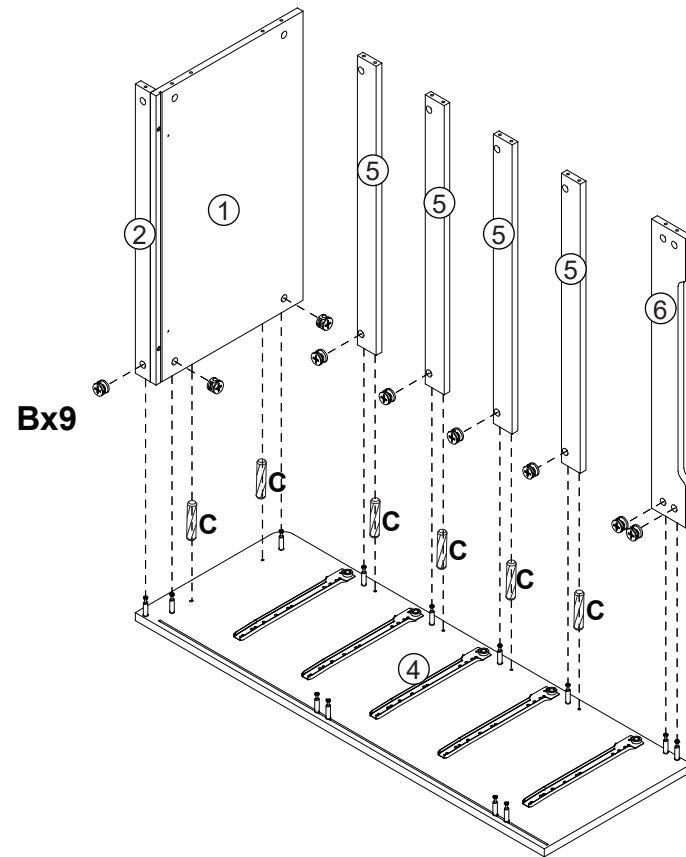
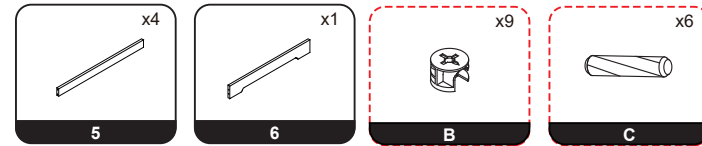


9

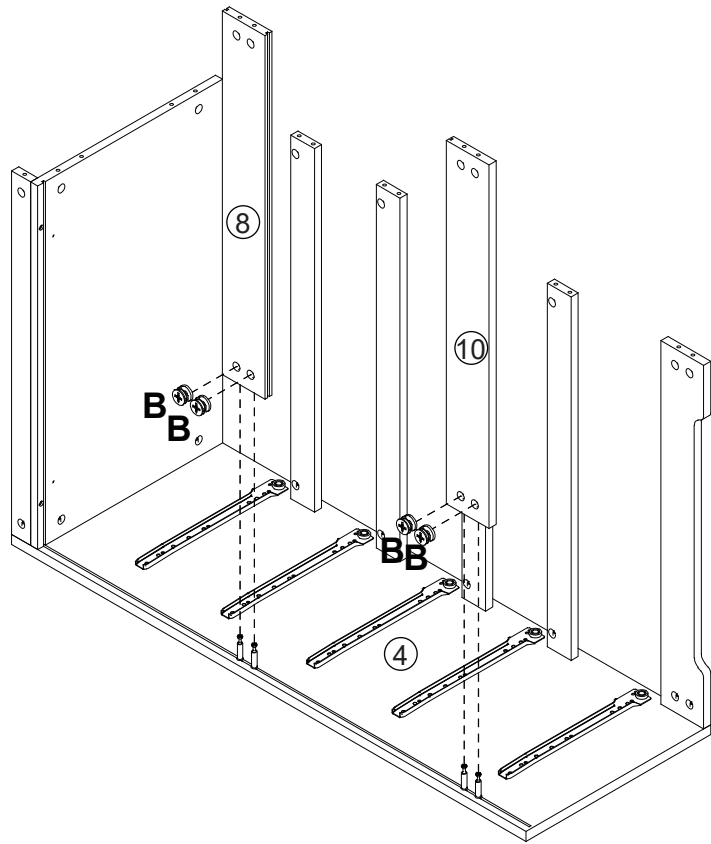
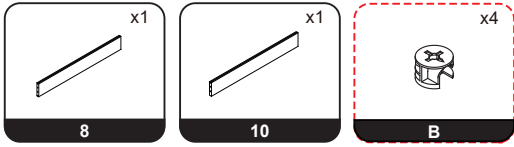
# STEP 3



# STEP 4

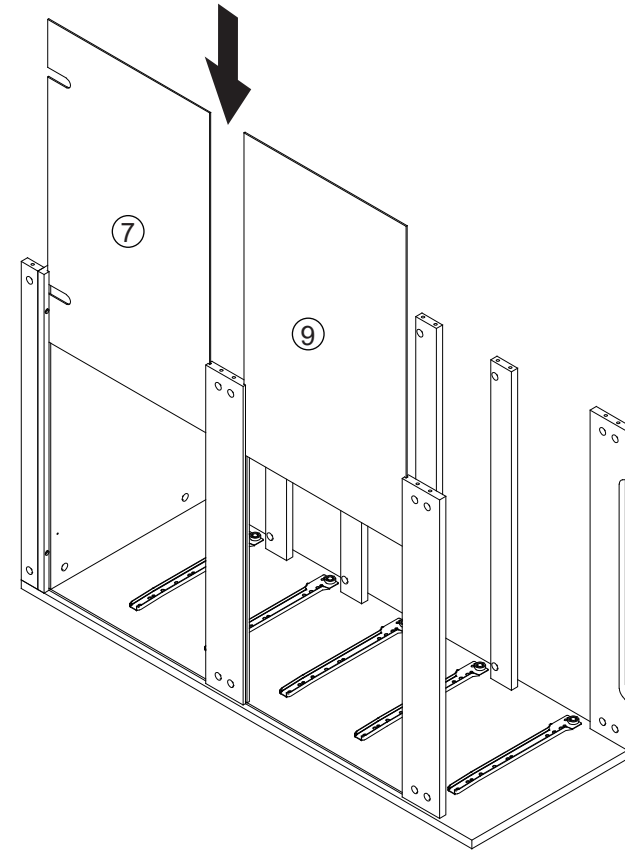
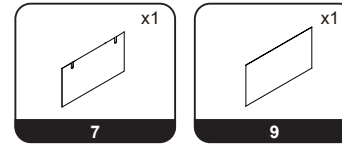


## STEP 5



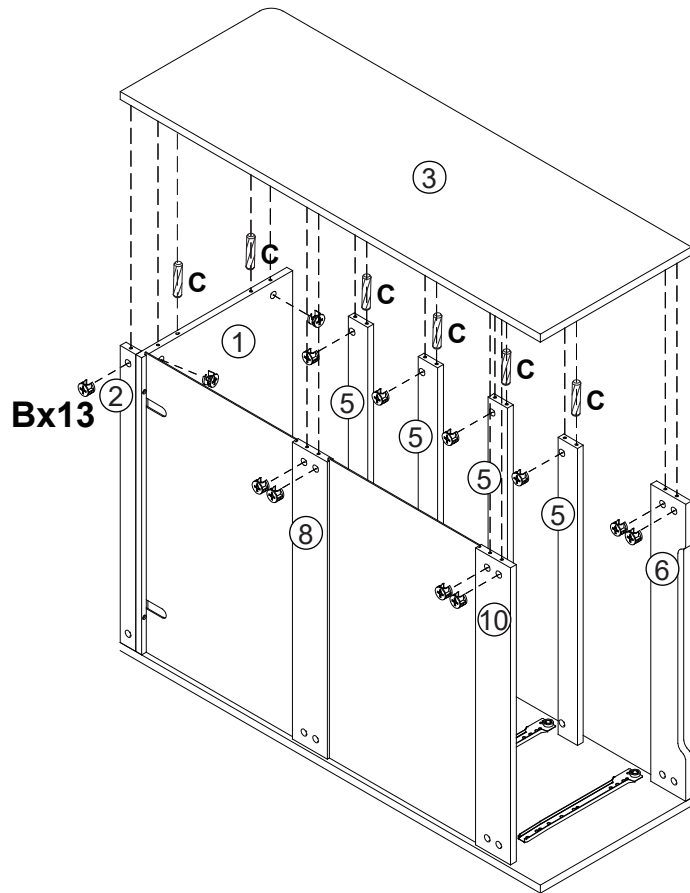
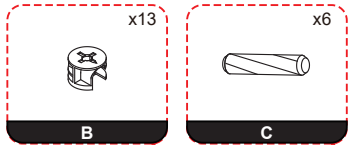
12

## STEP 6



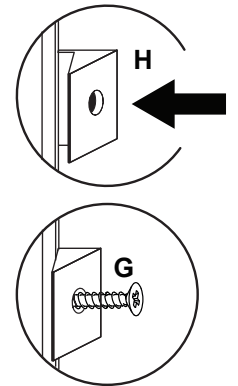
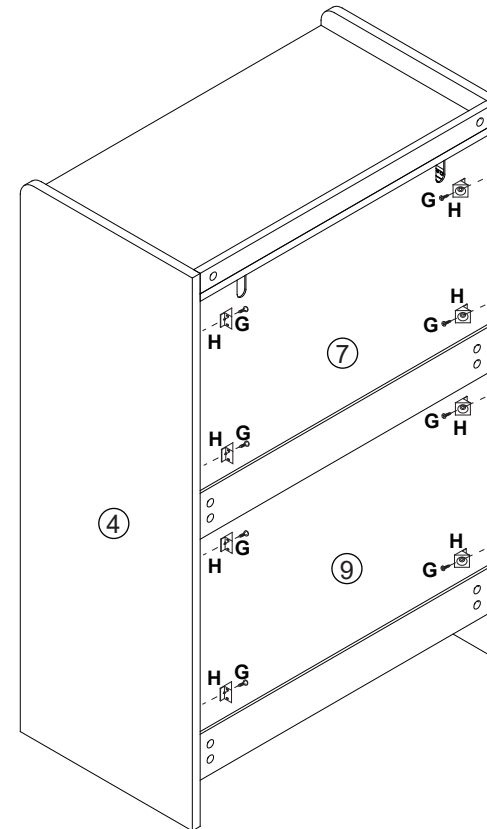
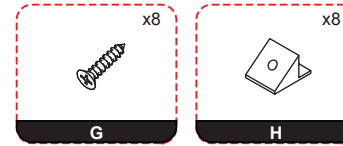
13

# STEP 7



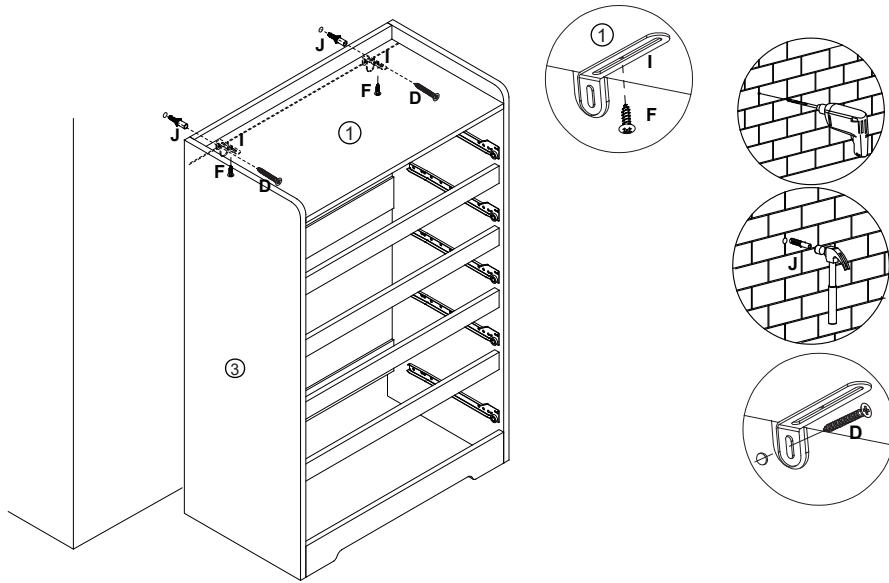
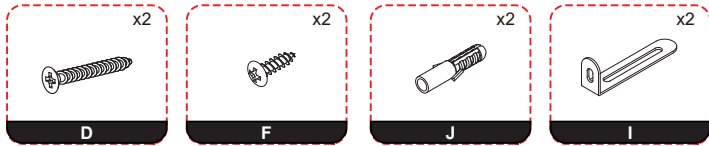
14

# STEP 8

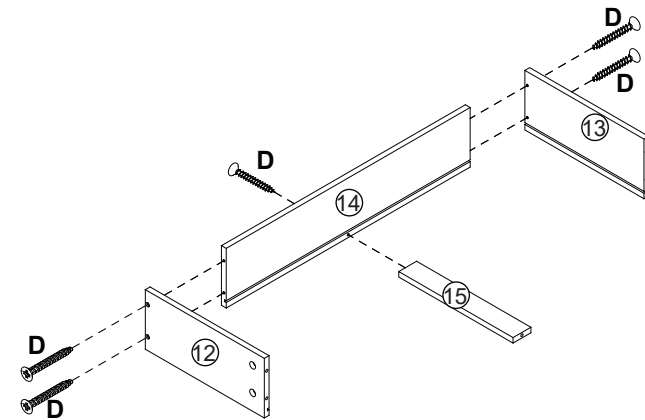
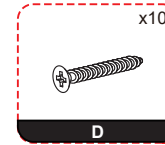
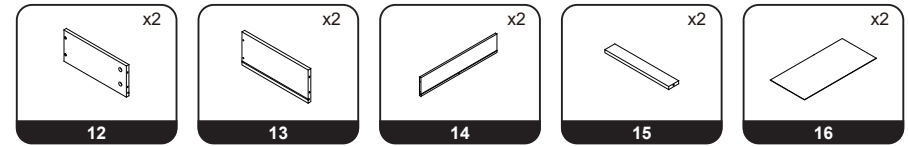


15

## STEP 9



## STEP 10



# Wall Mounting Instructions

**!** CAUTION - Risk of Furniture Tip-Over. Always anchor this furniture securely to the wall.

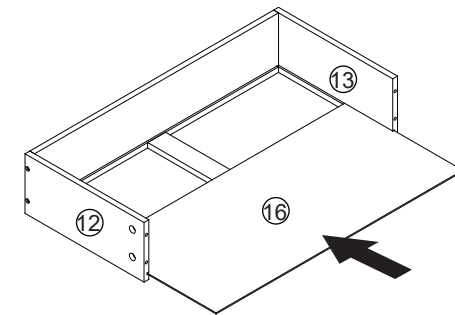
- Using the screws provided and a screwdriver, secure the mounting plate(s) to the back of the product.
- Noting the location of the product's mounting plate(s), mark the corresponding positions on the wall for the wall-mounted plate(s).

Drill pilot holes at the marked locations into a wall stud.

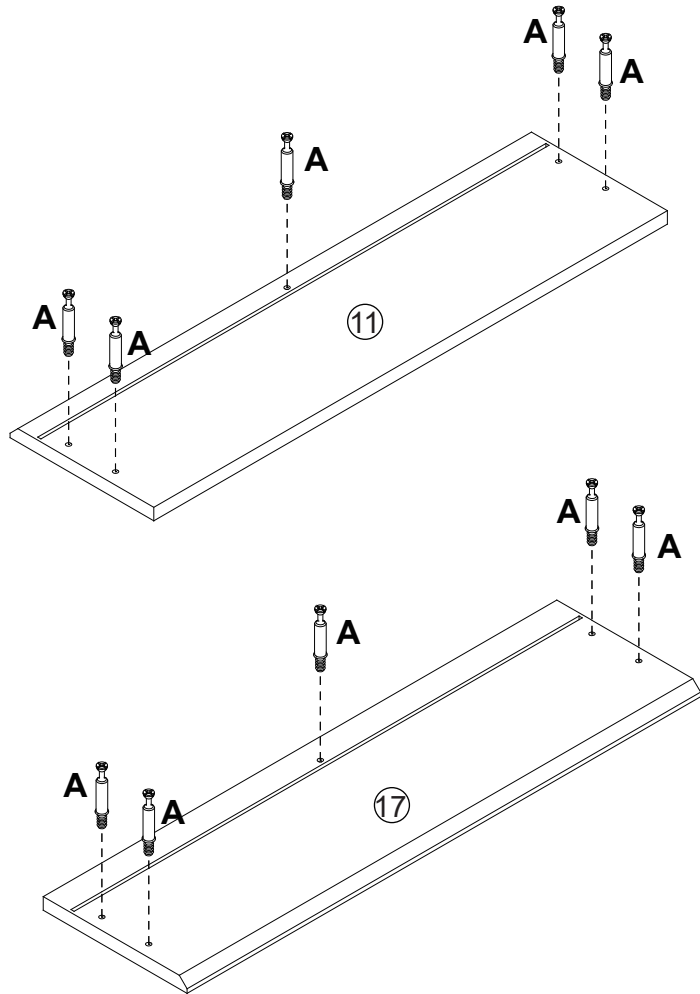
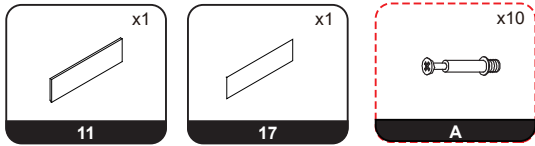
**NOTE: If wall studs are not available, drill holes slightly smaller than the drywall anchors, Insert each anchor until its flange is flush with the wall.**

- Using a screwdriver, secure the mounting bracket(s) to the wall stud or to the drywall anchors using the screws provided.
- Position the product in its final location. Lace one end of the plastic tie(s) through both the wall-mounted plate and the product's mounting plate, then loop through the other end. Pull the tie(s) tight to remove slack. Do not overtighten.

x2

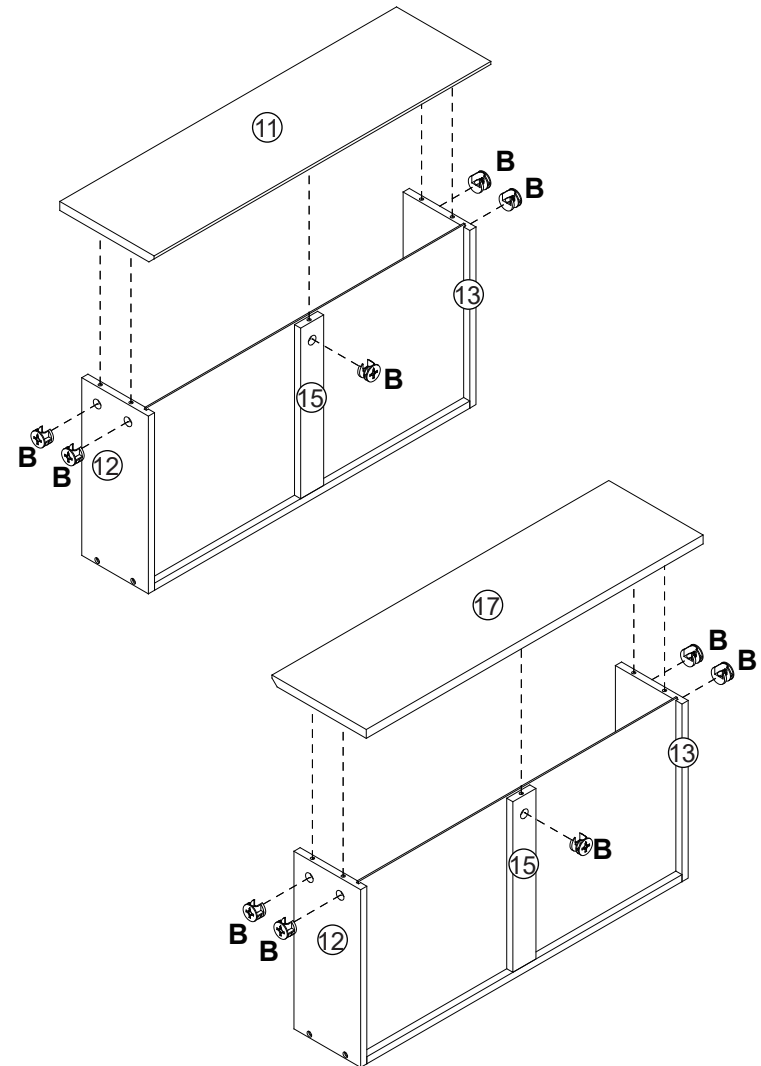
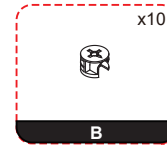


# STEP 11



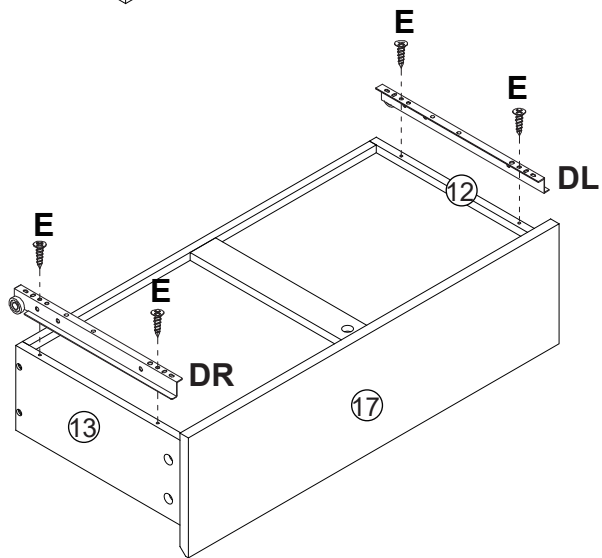
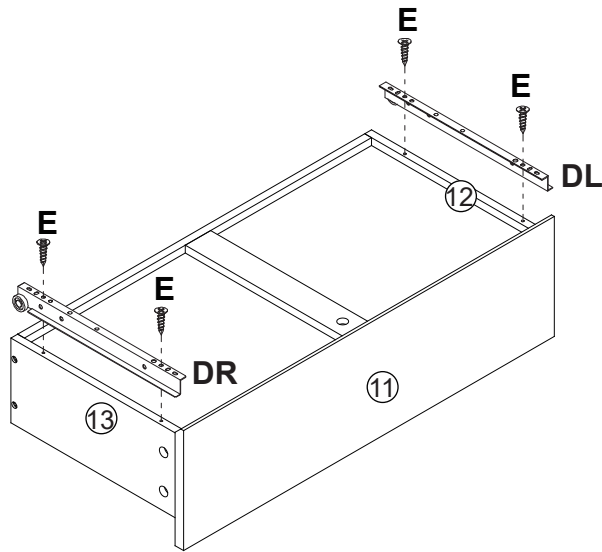
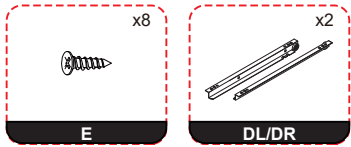
18

# STEP 12



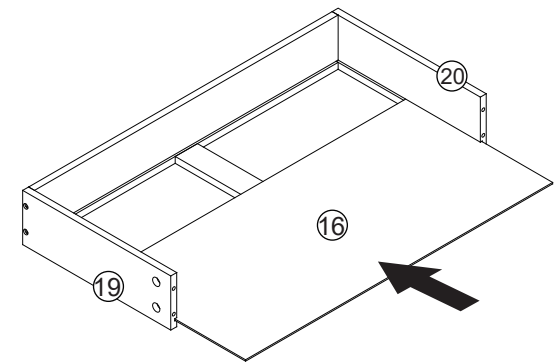
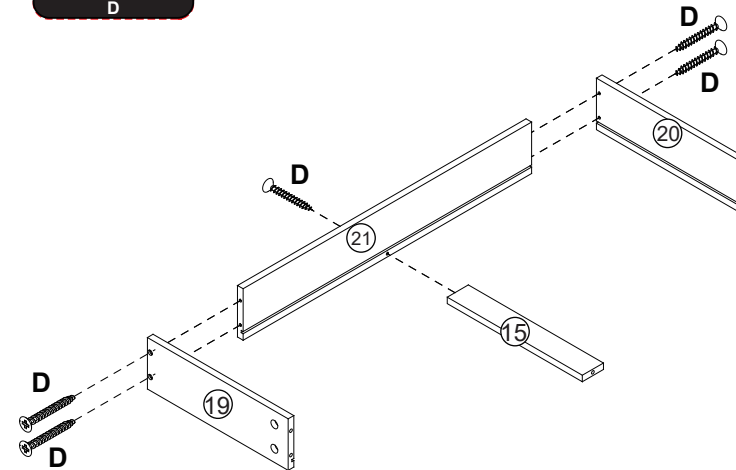
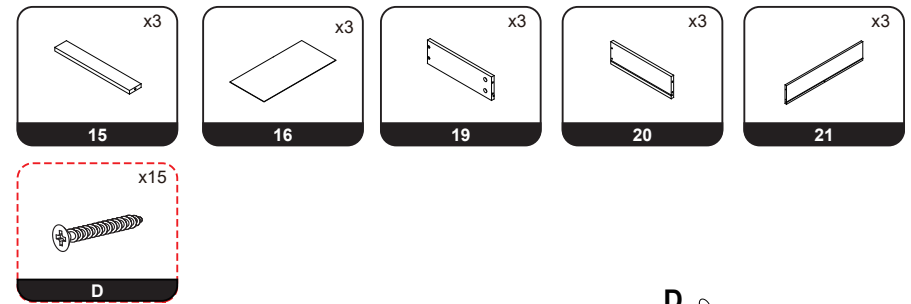
19

# STEP 13



20

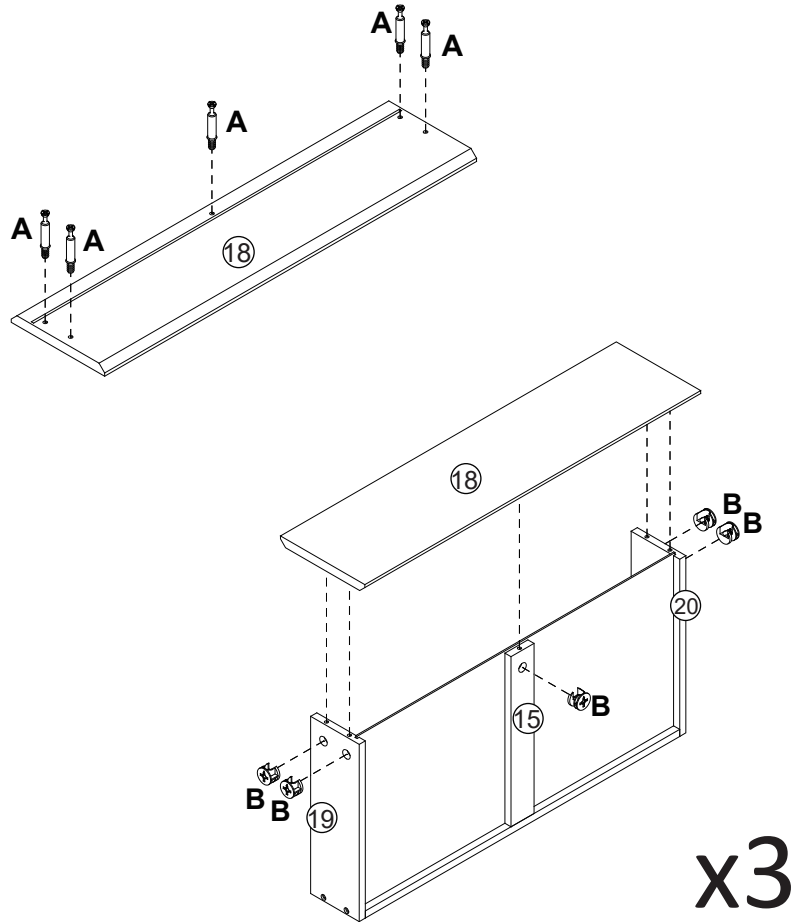
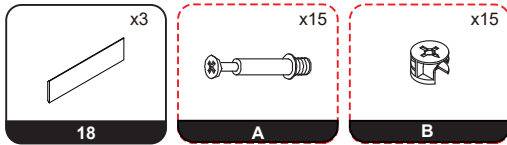
# STEP 14



x3

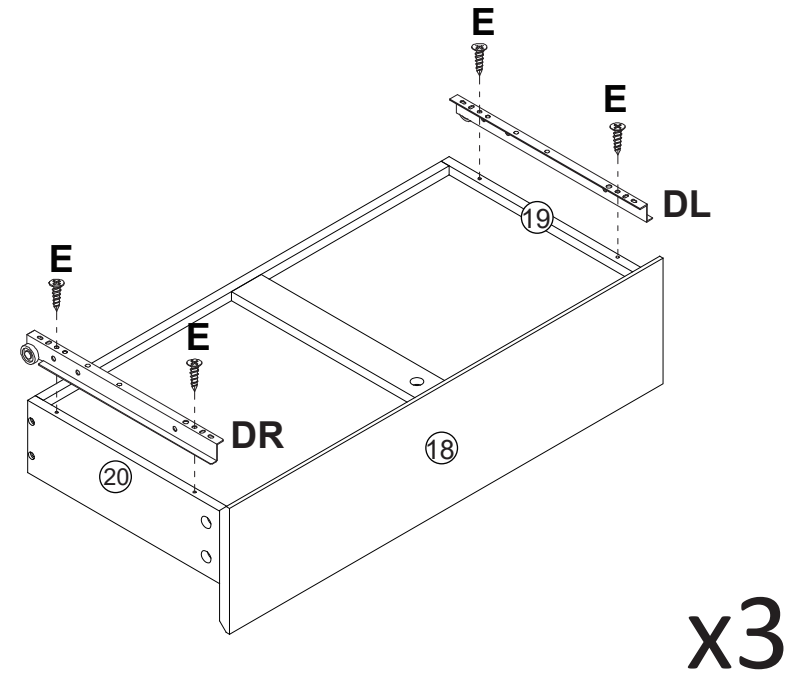
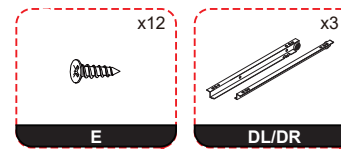
21

## STEP 15



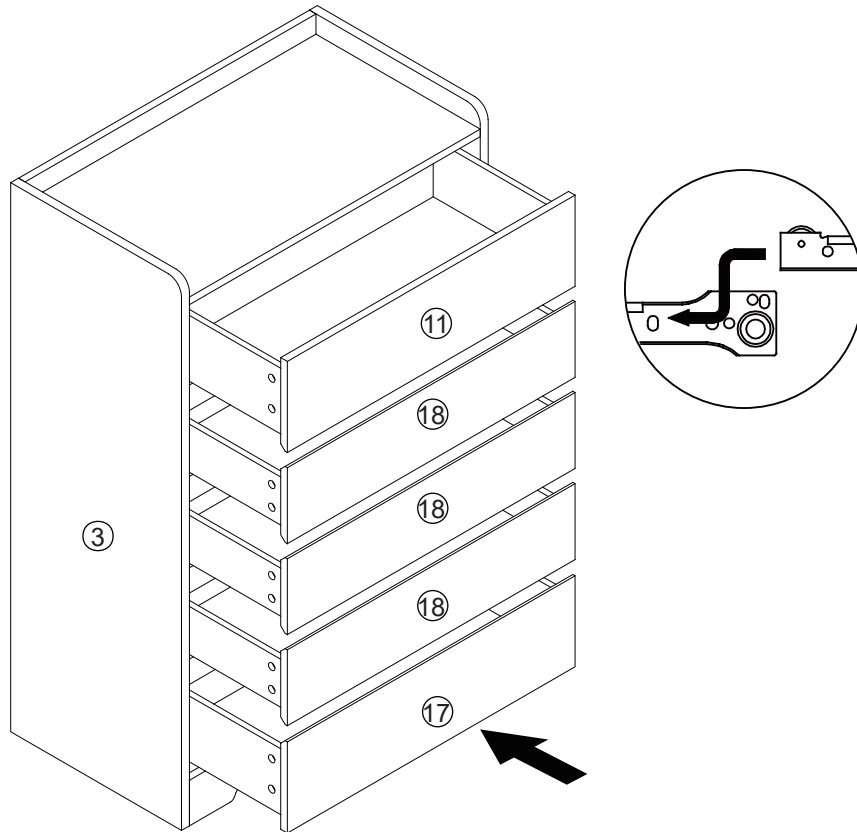
22

## STEP 16



23

## STEP 17



## MAINTENANCE

- Wipe the surface with a soft, damp cloth and dry immediately.
- Avoid using chemical cleaners, solvents, or abrasive pads that could damage the finish.
- Do not place hot, wet, or heavy items directly on the surface.
- Keep the furniture away from direct sunlight and excessive humidity to prevent warping or discoloration.
- Check and tighten all screws periodically to maintain stability.

---

## Warranty & Support

### Limited Warranty

This product is backed by a limited warranty that covers manufacturing defects under normal household use.

### Customer Service

If you have received a damaged product or are missing parts, please contact us directly for assistance. Do not return the product to the store.

When contacting us, please provide the following information:

- Order number or proof of purchase
- Clear photos showing the issue or damaged parts
- Product model number (as listed in this manual)

 Email: [info@serviceprohelp.com](mailto:info@serviceprohelp.com)

We will respond promptly with instructions for replacement parts or other solutions.

Thank you for choosing our product. Enjoy your new furniture!