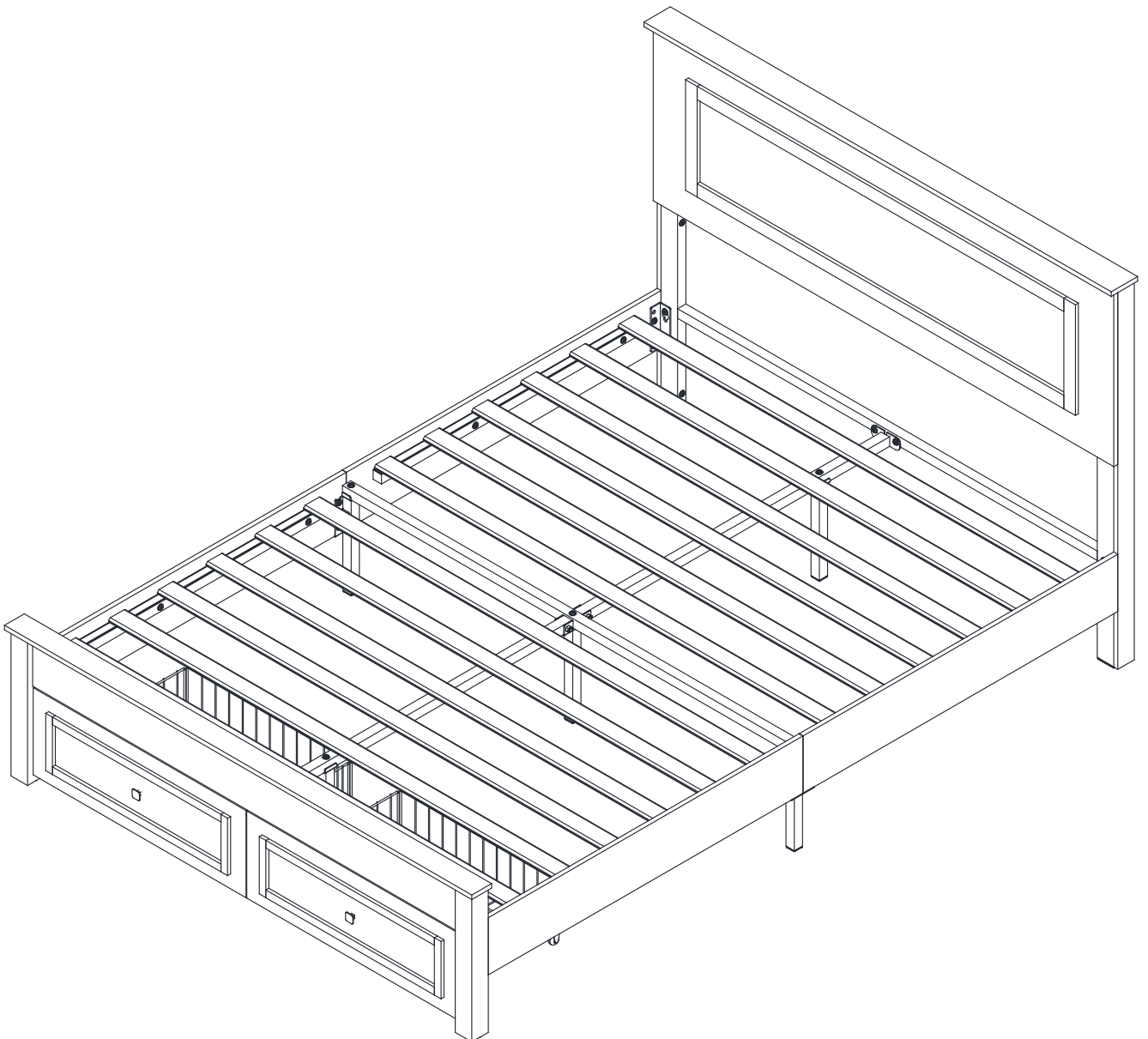


# BED FRAME



Thank you for choosing our products, please assemble and use it following the instructions.

## **WARNING & SAFETY INFORMATION**

**READ ALL INSTRUCTIONS CAREFULLY BEFORE ASSEMBLY AND KEEP FOR FUTURE REFERENCE.**

**REQUIRES TWO OR MORE PEOPLE:** Assembly requires at least two adults to prevent injury and ensure stability.

**CHECK PARTS:** Before starting, verify all parts and hardware against the parts list. Do not proceed if any item is missing or damaged.

**TOOL SAFETY:** Use correct tools. Keep tools and hardware away from children.

**ASSEMBLY AREA:** Assemble on a soft, non-scratch surface (e.g., carpet, cardboard) in a clean, well-lit area.

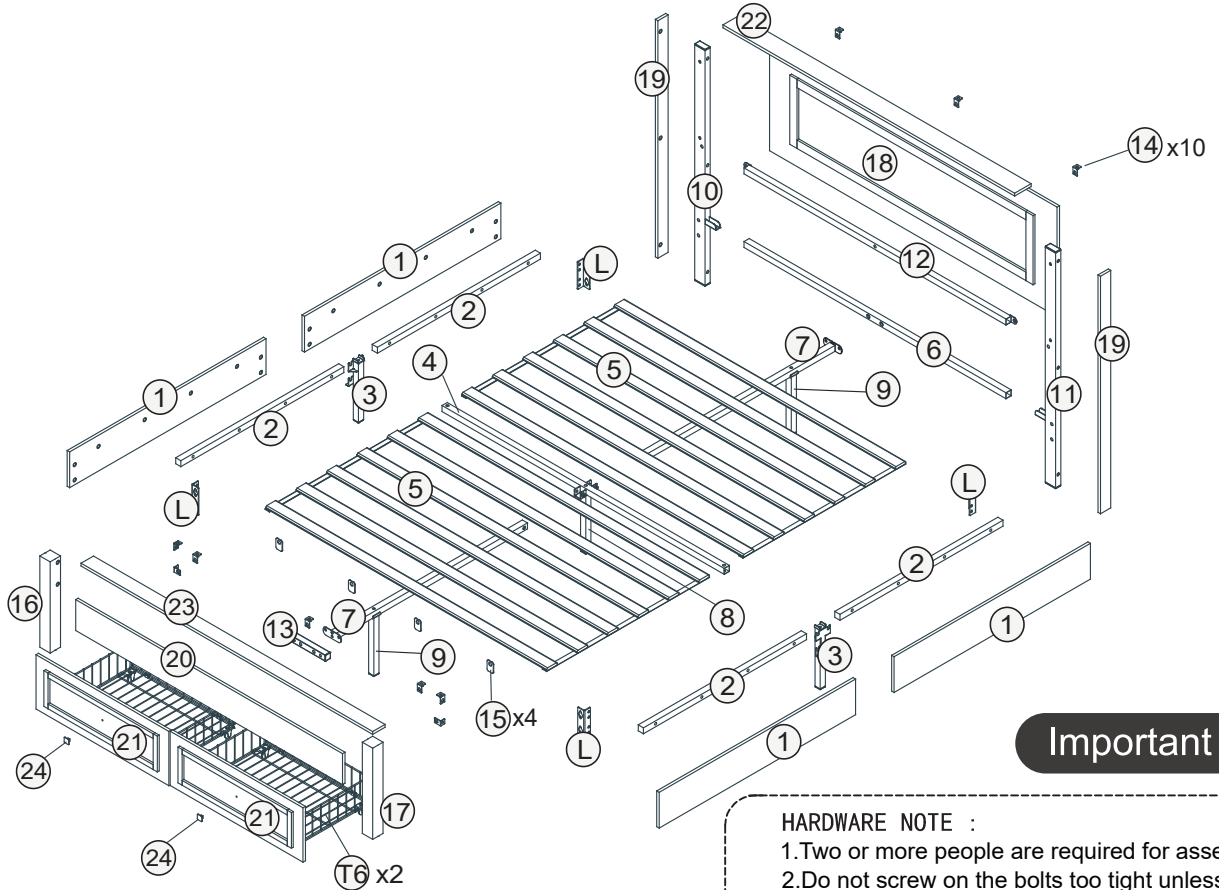
**DO NOT OVERTIGHTEN INITIALLY:** During assembly, install all bolts and screws loosely first. Only fully tighten them after the entire frame is correctly assembled and aligned. Final tightening is crucial before use.

**STABILITY CHECK:** After assembly, ensure the bed frame is stable, level, and does not rock before adding the mattress or using it.

**WEIGHT LIMIT:** Do not exceed the maximum weight limit specified for this product.

**PERIODIC CHECK:** Regularly check and retighten all connections to maintain safety and stability.

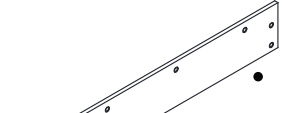
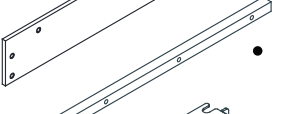
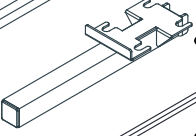
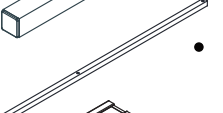
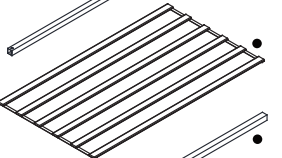
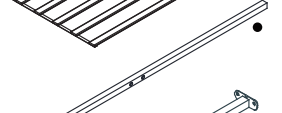
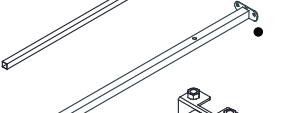

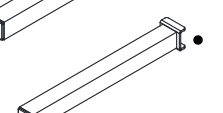
# Assembly Instruction

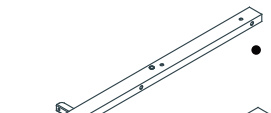

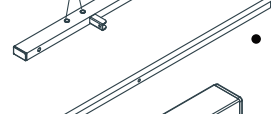
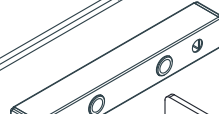
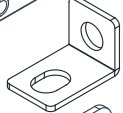
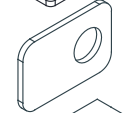
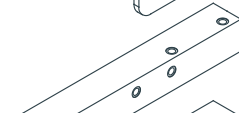
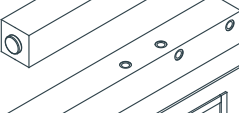




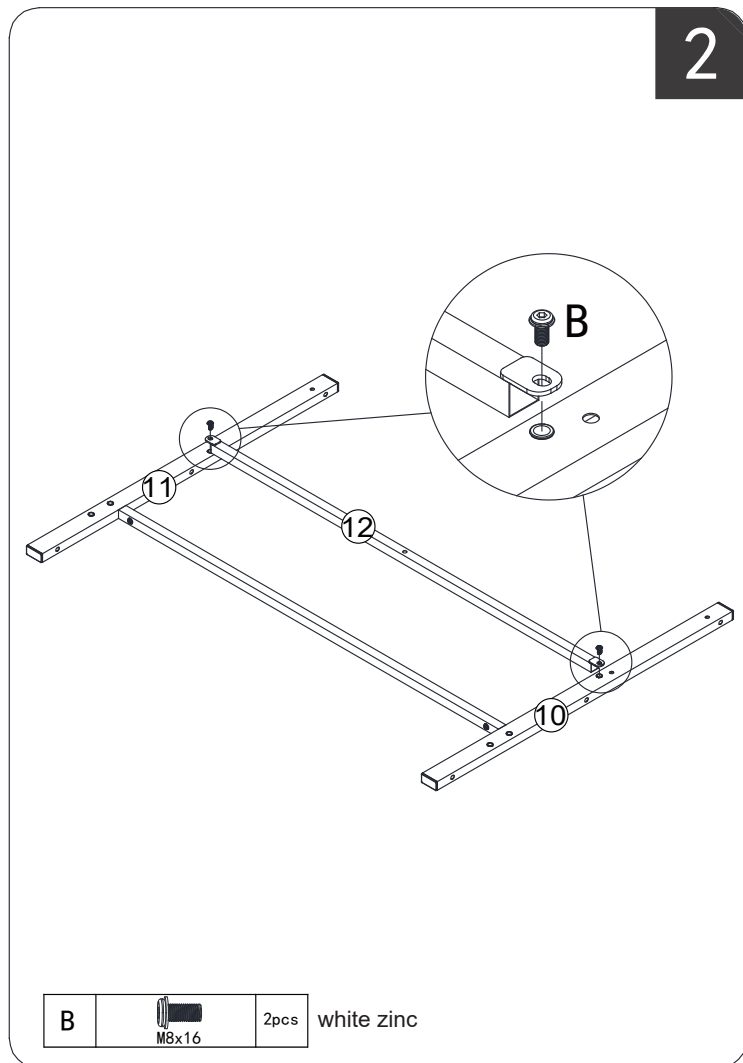
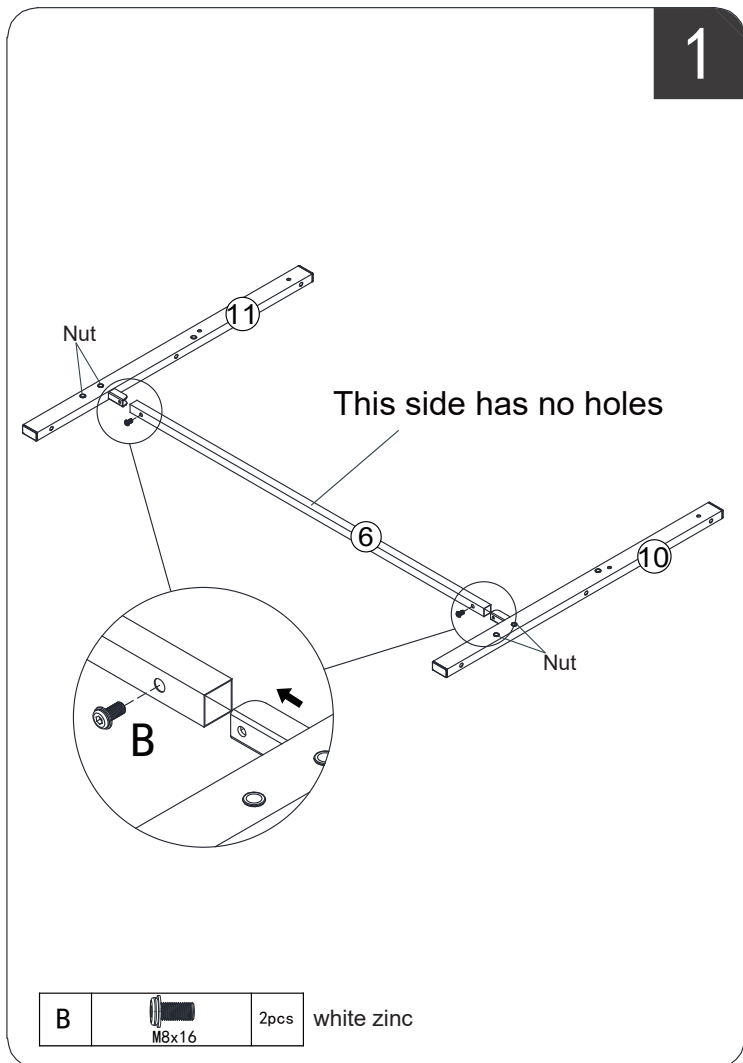
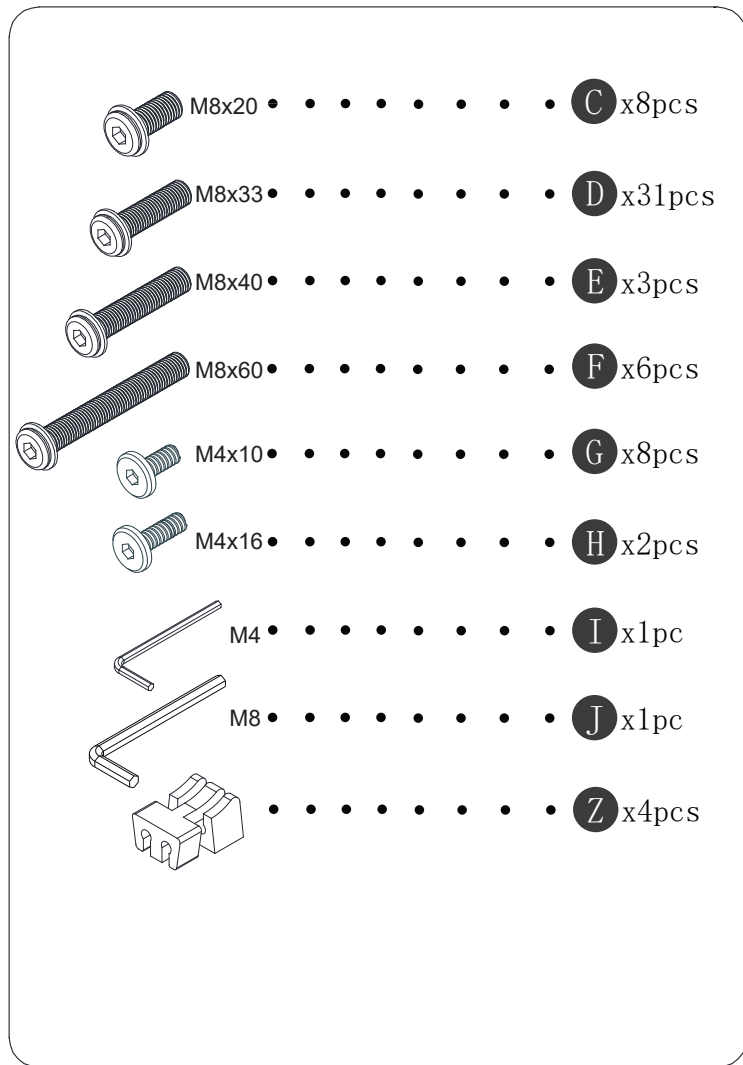
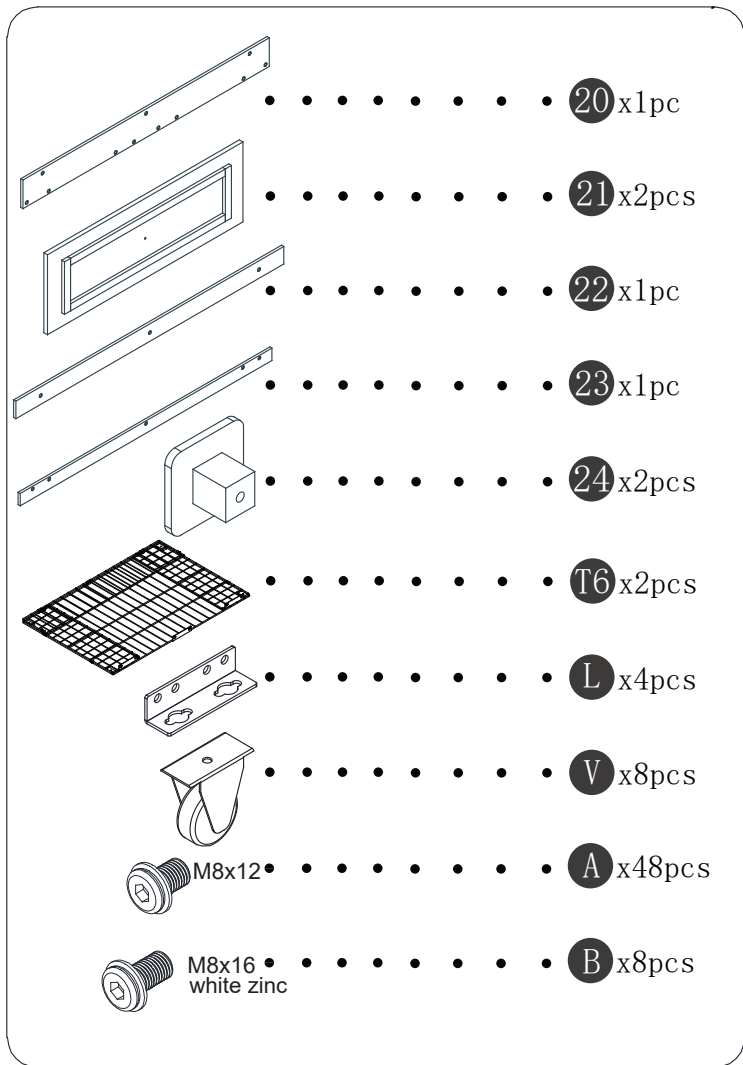
## Important Note

**HARDWARE NOTE :**  
 1. Two or more people are required for assembly  
 2. Do not screw on the bolts too tight unless the installation is done. Make sure all bolts are tightly screwed before you use it.

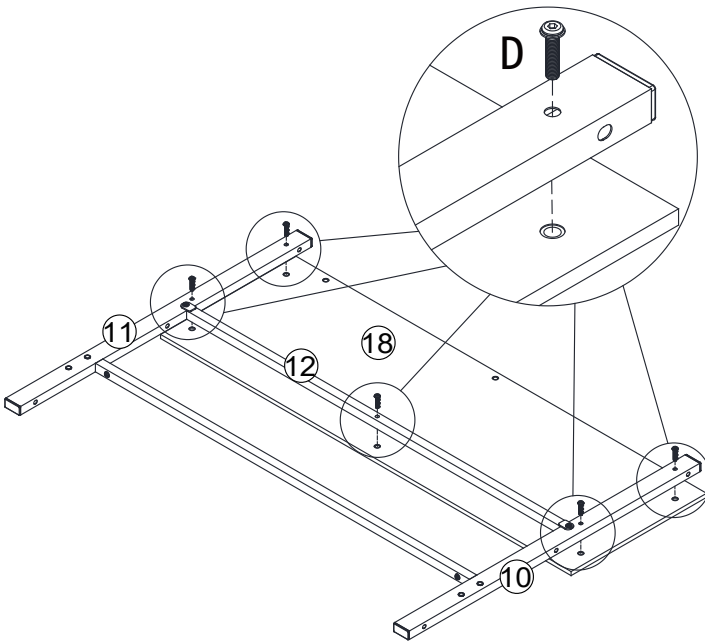
## Components

-  ..... 1 x4pcs
-  ..... 2 x4pcs
-  ..... 3 x2pcs
-  ..... 4 x1pc
-  ..... 5 x2pcs
-  ..... 6 x1pc
-  ..... 7 x2pcs
-  ..... 8 x1pc
-  ..... 9 x2pcs

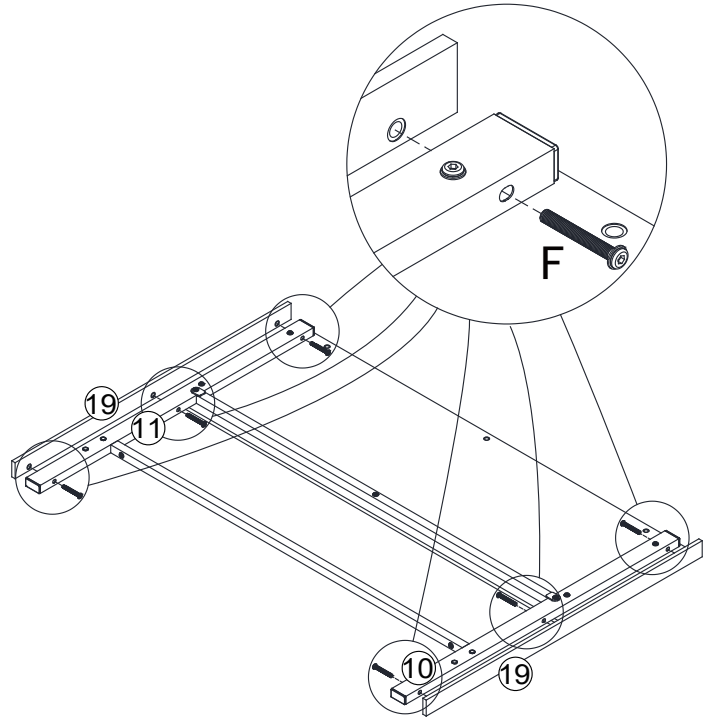
-  ..... 10 x1pc
-  ..... 11 x1pc
-  ..... 12 x1pc
-  ..... 13 x1pc
-  ..... 14 x10pcs
-  ..... 15 x4pcs
-  ..... 16 x1pc
-  ..... 17 x1pc
-  ..... 18 x1pc
-  ..... 19 x2pcs



3

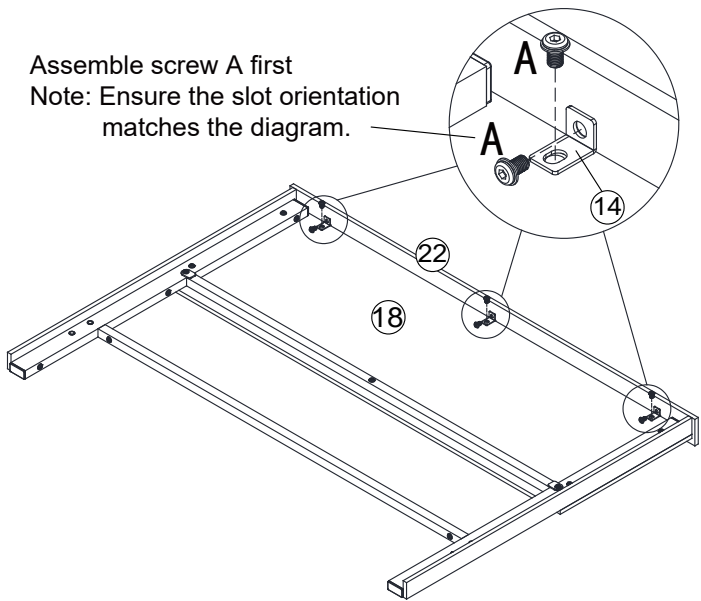


4



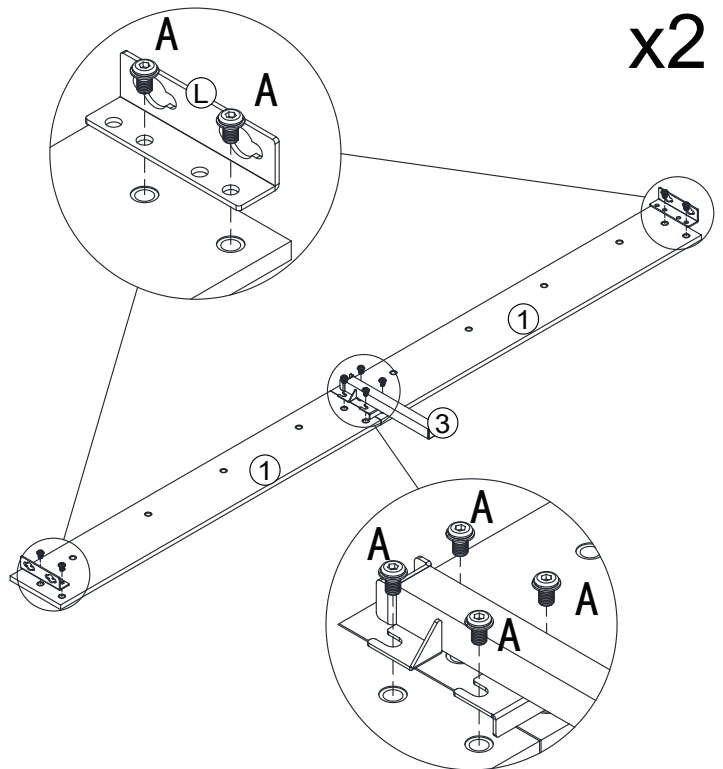
5

Assemble screw A first  
 Note: Ensure the slot orientation  
 matches the diagram.



6

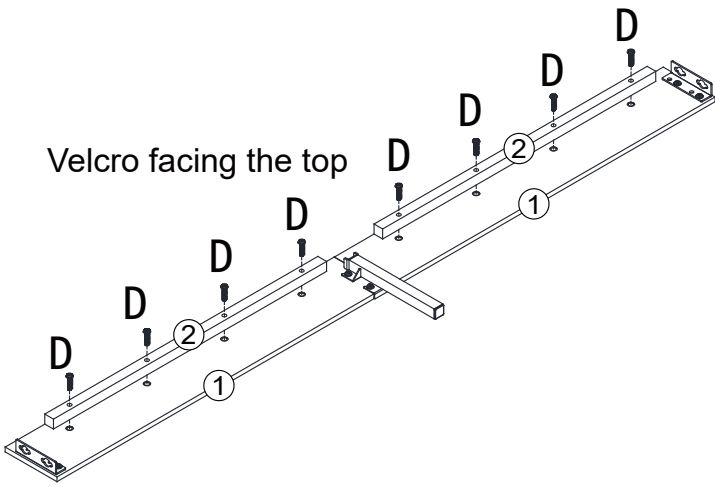
x2




7

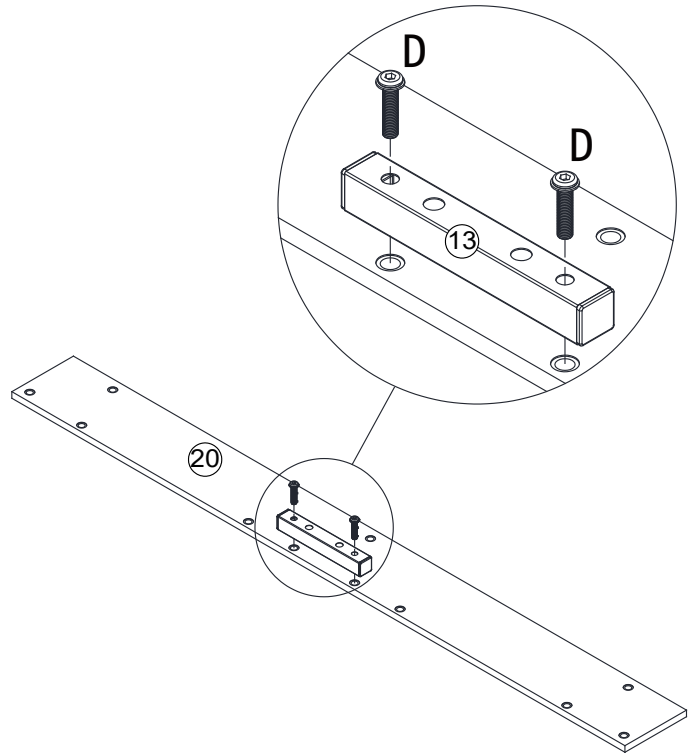
x2

Velcro facing the top



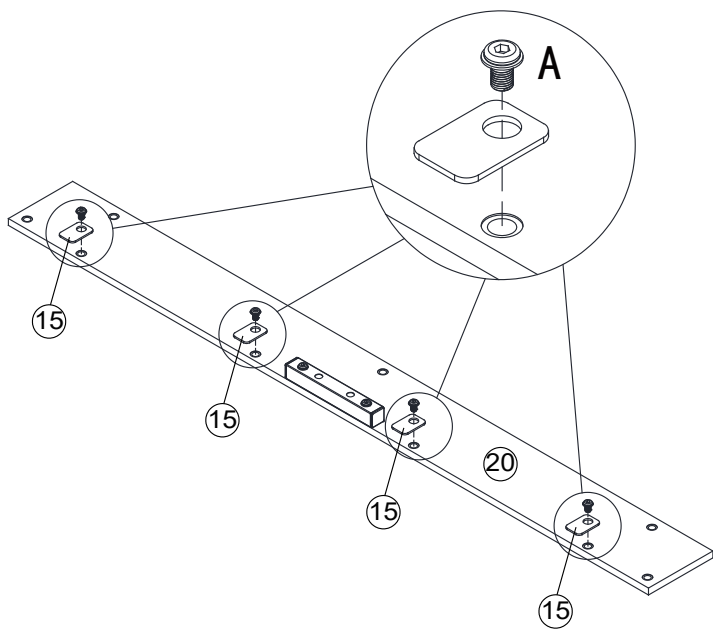
D		16pcs
M8x33		

8



D		2pcs
M8x33		

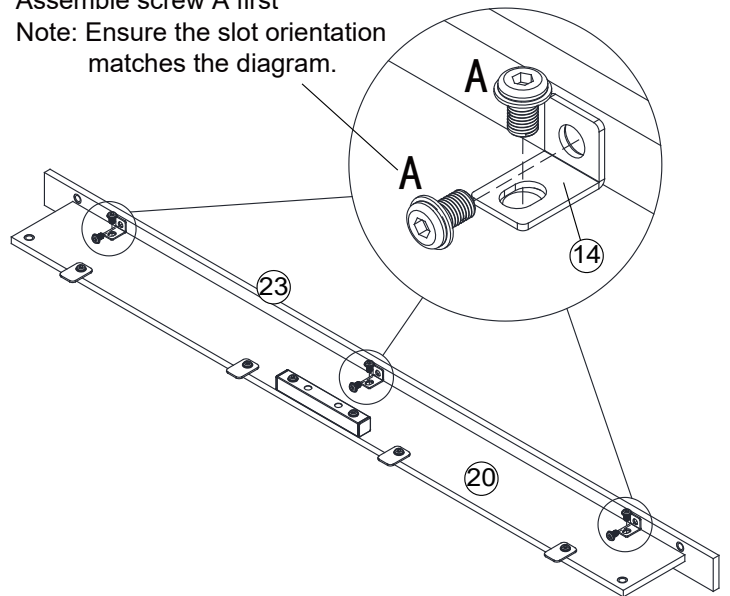
9



A		4pcs
M8x12		

10

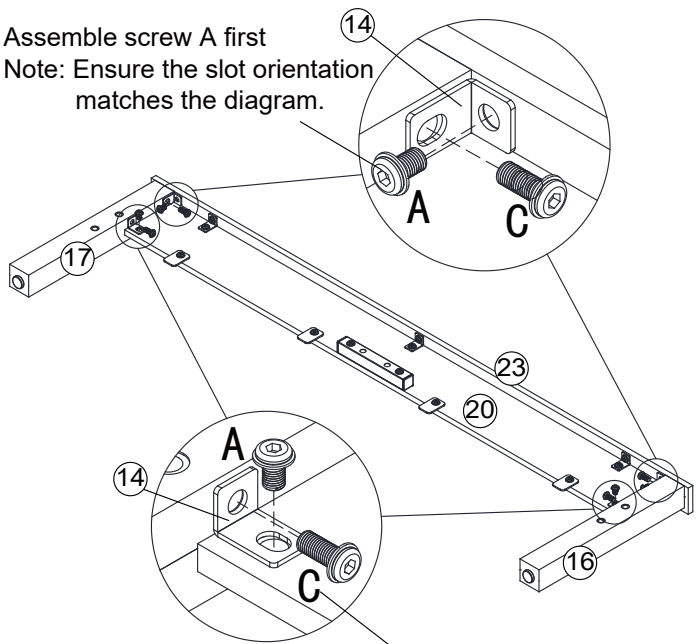
Assemble screw A first  
 Note: Ensure the slot orientation matches the diagram.



A		6pcs
M8x12		

11

Assemble screw A first  
 Note: Ensure the slot orientation matches the diagram.

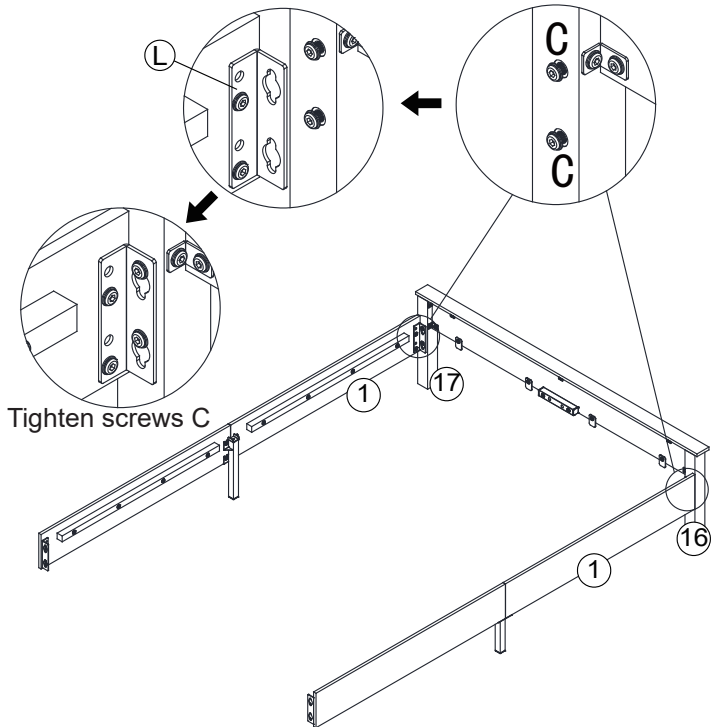


Assemble screw C first  
 Note: Ensure the slot orientation matches the diagram.

A		4pcs
C		4pcs

12

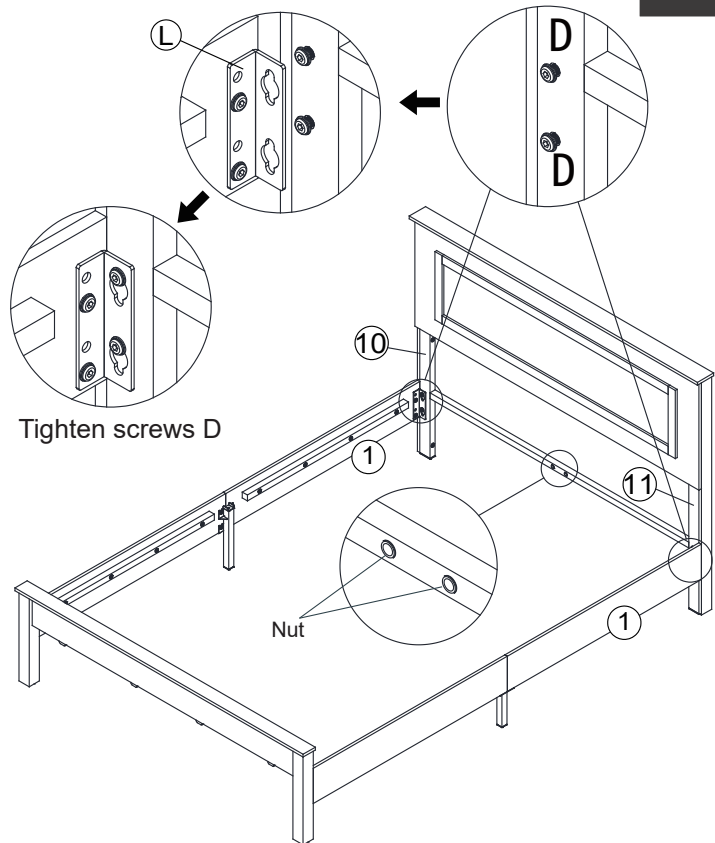
Install screws loosely,  
 don't fully tighten



C		4pcs
---	--	------

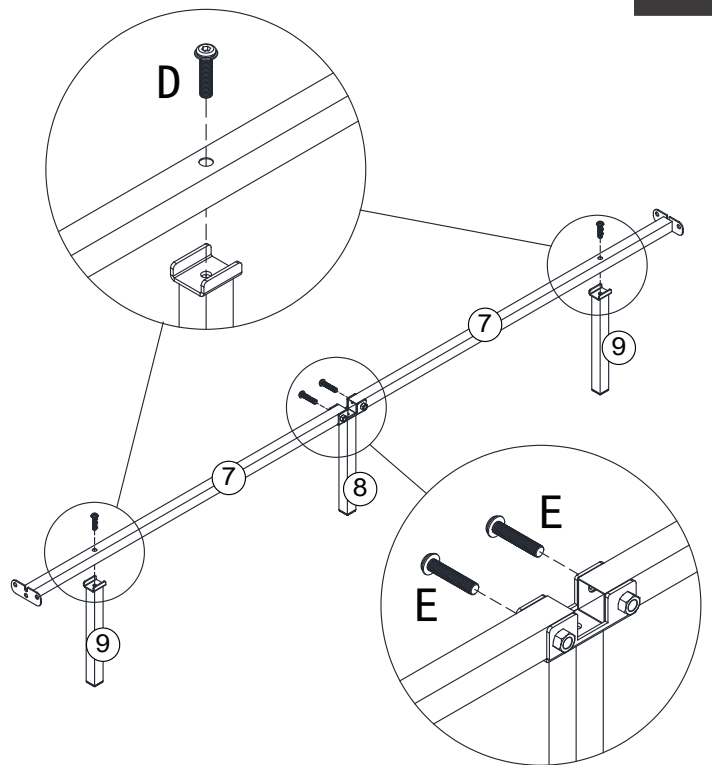
13

Install screws loosely,  
 don't fully tighten



D		4pcs
---	--	------

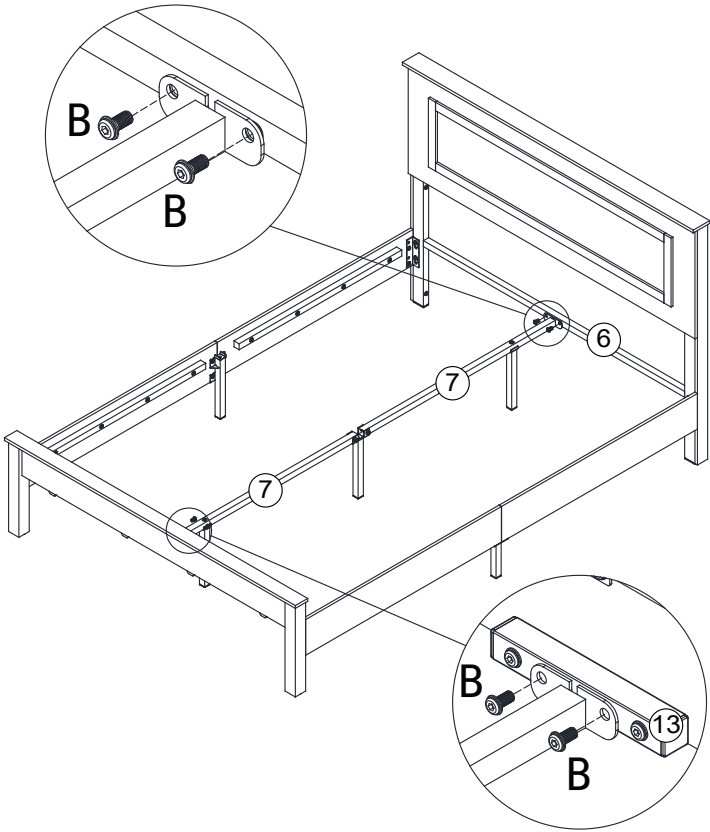
14



**!** Do not fully tighten  
 the screws yet.

D		2pcs
E		2pcs

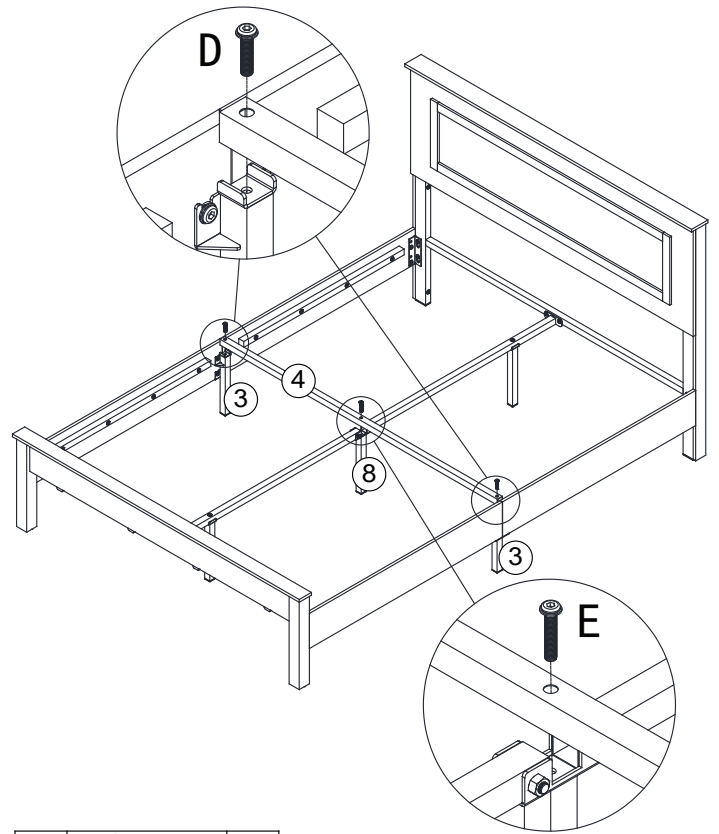
15


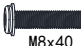


B		4pcs	white zinc
---	---	------	------------

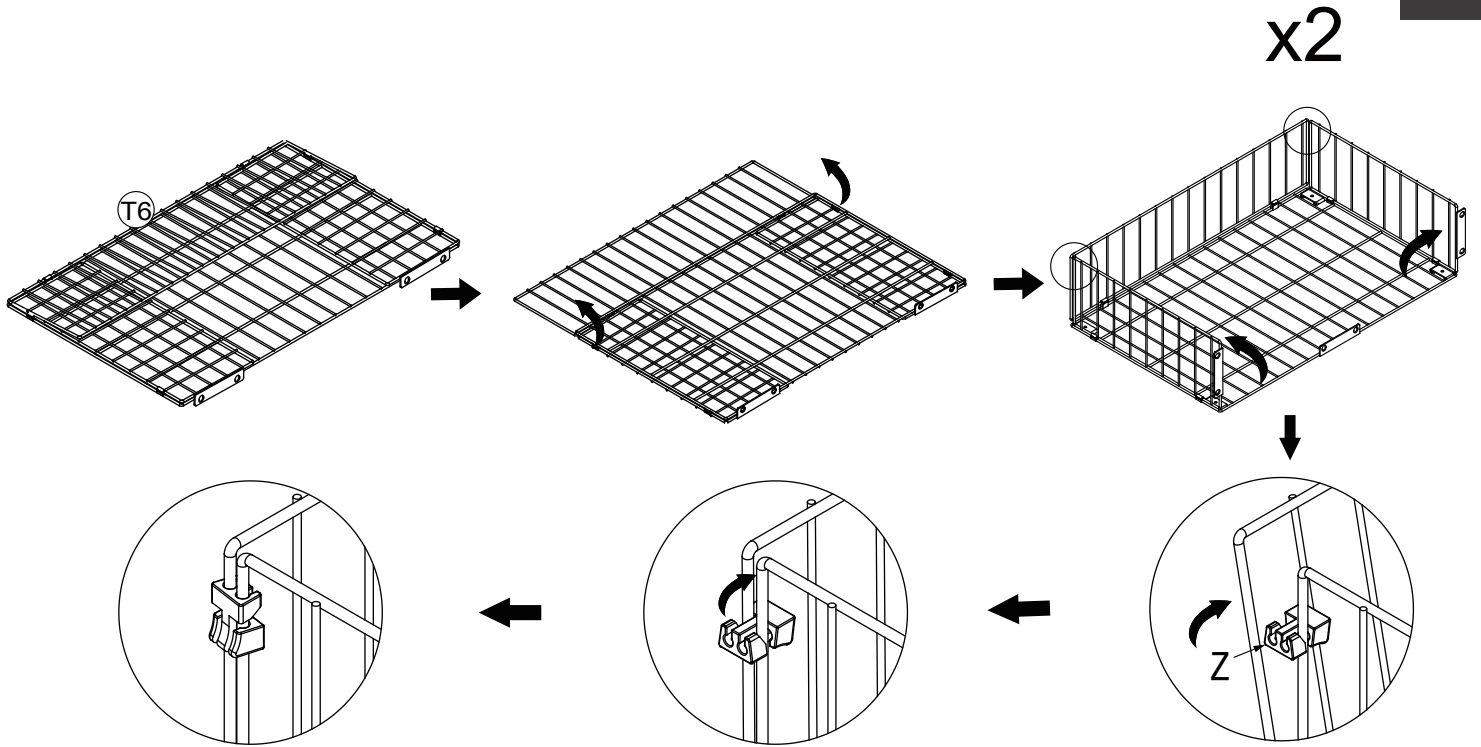
16


**!** Fully tighten all the screws.



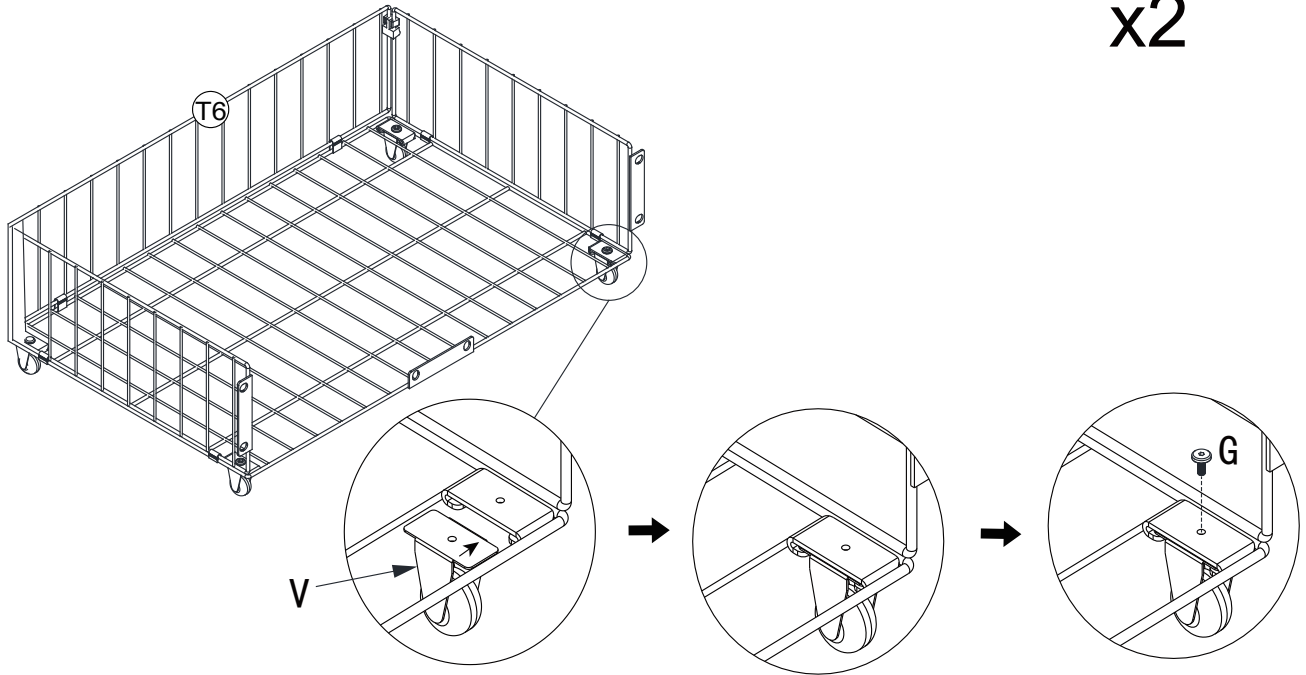
D		2pcs
E		1pcs

17



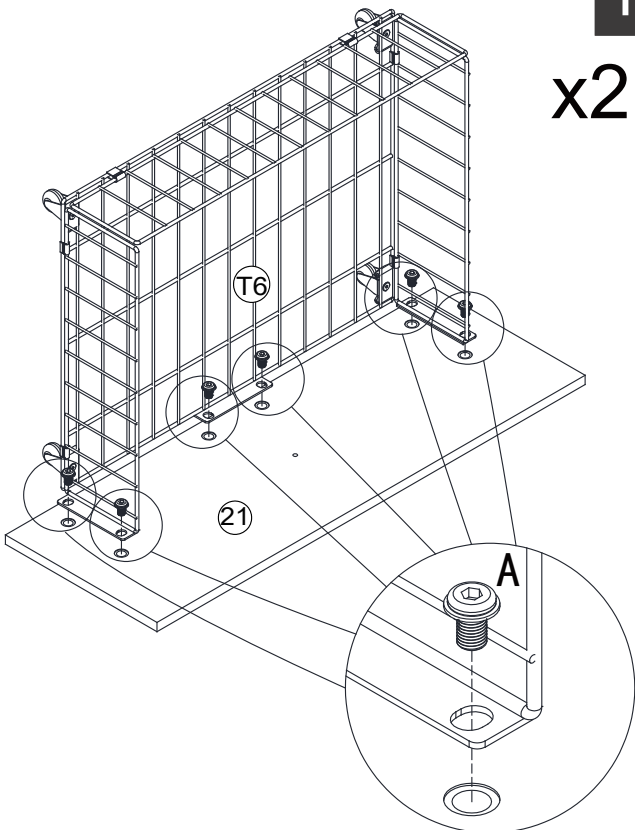
Z		4pcs
---	---	------

x2



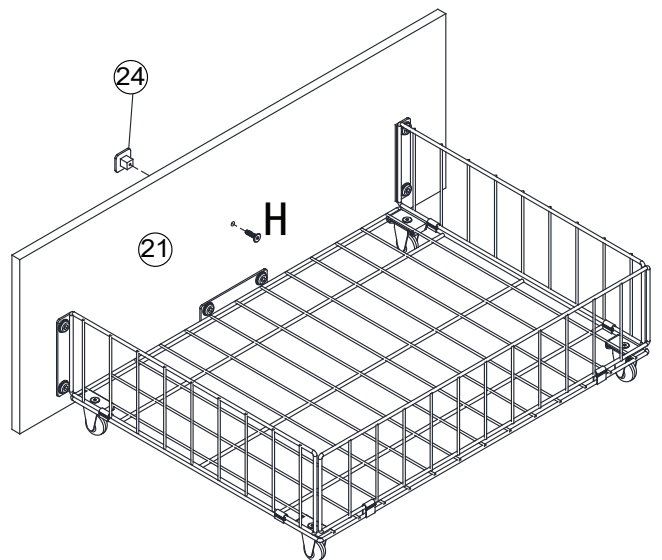
G		8pcs
M4x10		

x2

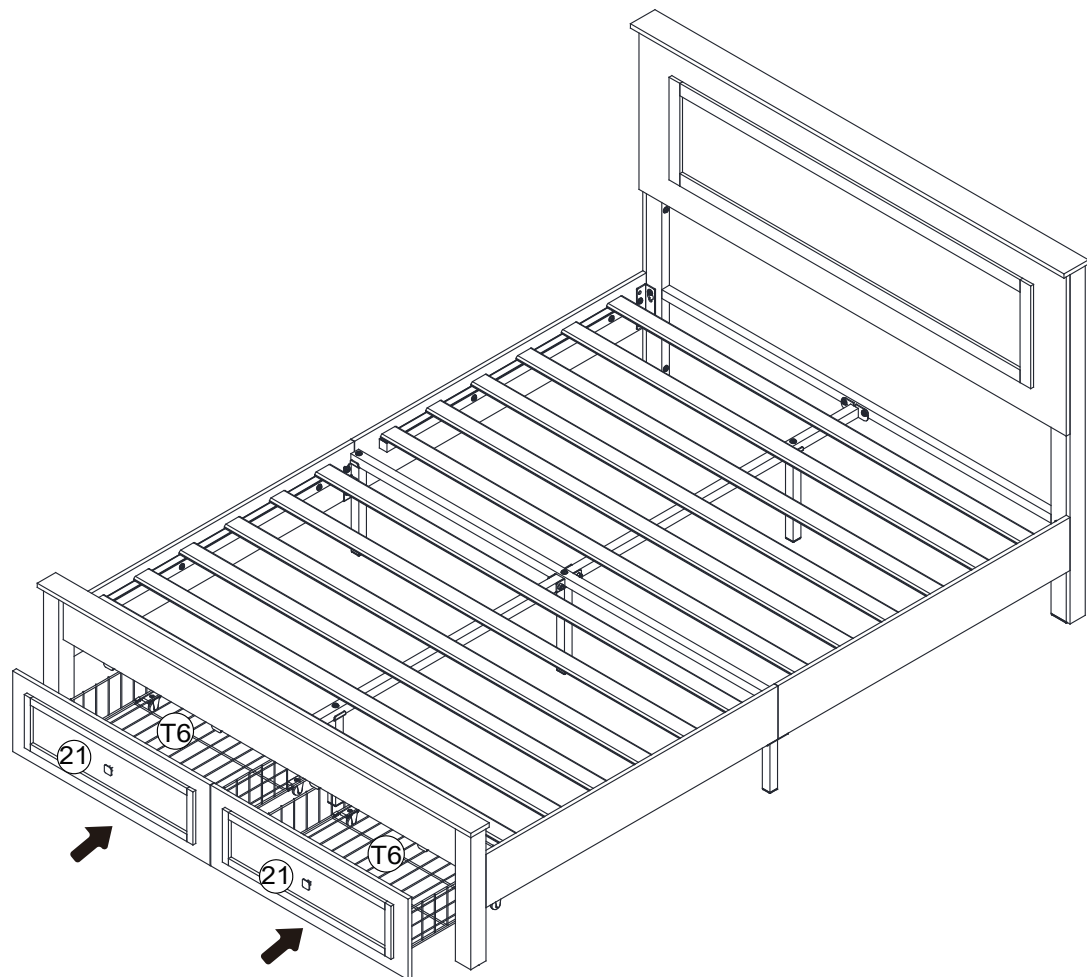
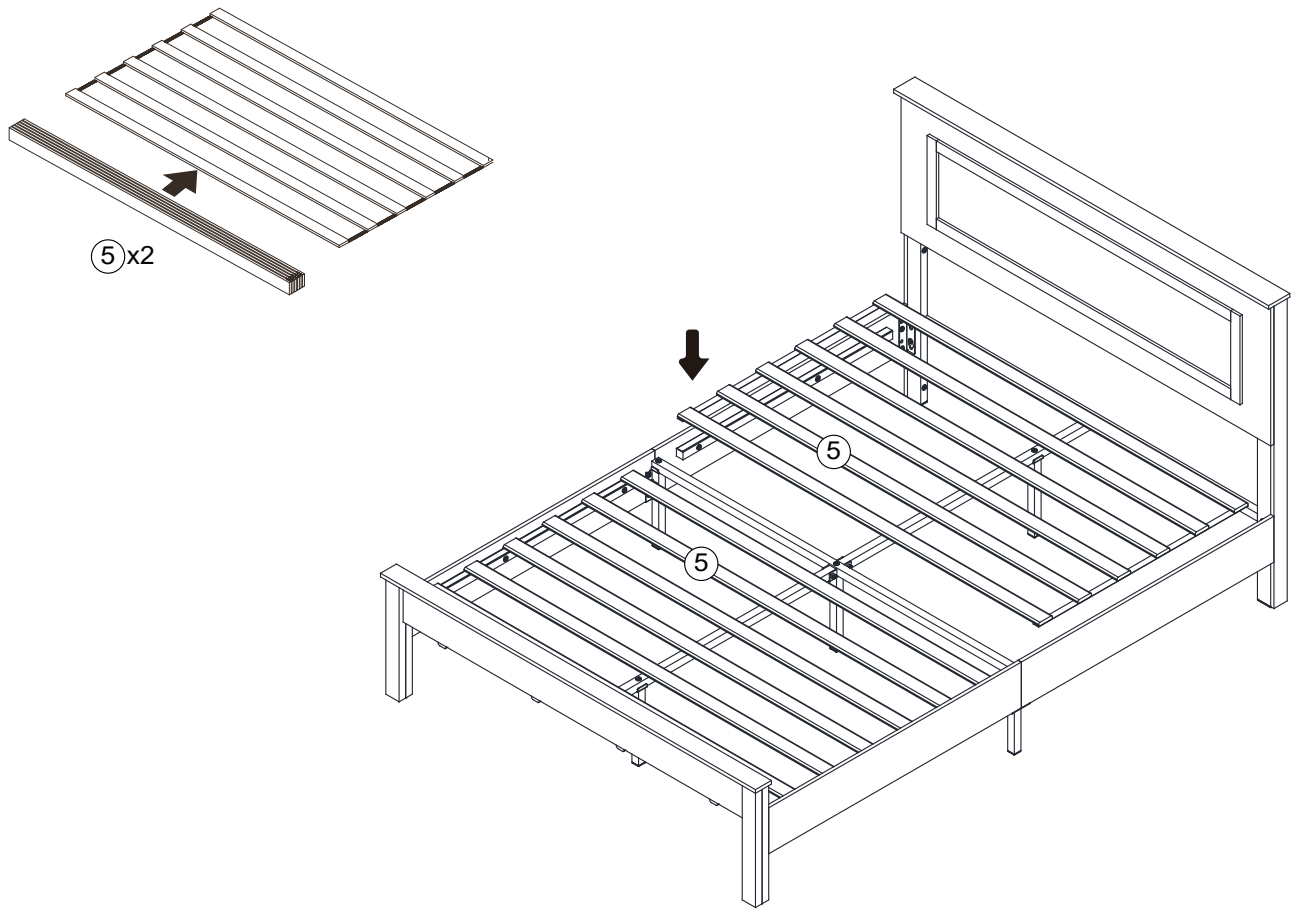


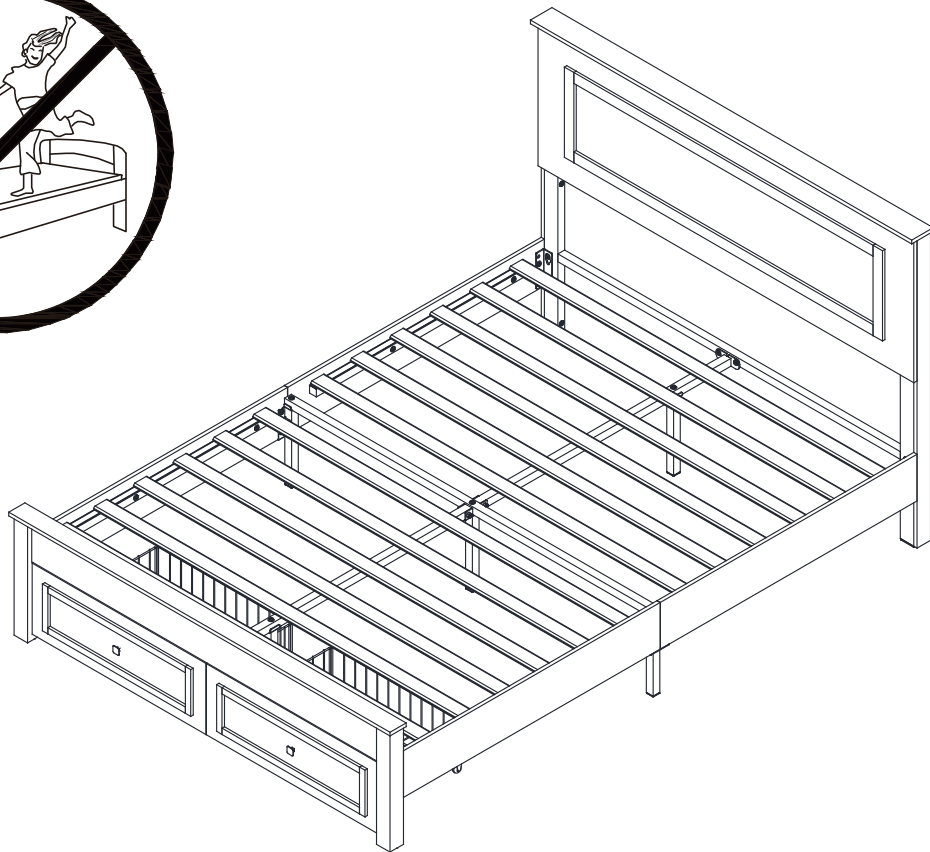
A		12pcs
M8x12		

x2



H		2pcs
M4x16		





## ⚠ IMPORTANT USE WARNINGS ⚠

**DO NOT USE** if the frame is unstable, damaged, or if any hardware is missing or loose.

**NO JUMPING:** Do not allow children to jump on the bed. Jumping can damage the frame, cause it to collapse, and lead to serious injury.

**INSPECT REGULARLY:** Check and retighten all bolts and screws every 2-3 months, especially during initial use, as materials may settle.

**NO MODIFICATIONS:** Do not modify the frame or use non-original hardware, as this compromises safety and voids the warranty.

**PROPER SUPPORT:** Use only with a properly sized mattress and a center support system (if required for your bed size) to prevent sagging.

**KEEP AWAY FROM HEAT/FIRE.**

Installation Completed