

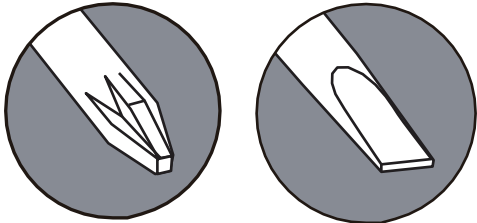
info@serviceprohelp.com



SAFE INFORMATION

WARNING: To prevent serious injury or death from furniture tip-overs.

- **NEVER** allow children to climb, stand, or play on any furniture.
- **ALWAYS** supervise children around furniture.
- **KEEP** remote controls, toys, and other attractive items out of reach from the tops of furniture.



TOOLS REQUIRED



Two people are required for assembly.



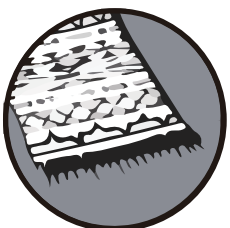
Move this piece of furniture gently with two people.



Read this assembly manual carefully, and verify that you have all the parts listed before you begin.
Keep your assembly manual for future reference.



Do not place very hot/cold objects on top of any surface. Always use a coaster or mat. Never leave liquids on the surface. Clean immediately with a mild soap and a damp cloth. Never use scouring powder based cleanser.



Protect finishes by placing furniture pieces on a soft carpeted surface during assembly.



WARNING

INGESTION HAZARD: This product contains a button cell or coin battery.

- **DEATH** or serious injury can occur if ingested.
- A swallowed button cell or coin battery can cause **Internal Chemical Burns** in as little as **2 hours**.
- **KEEP** new and used batteries **OUT OF REACH of CHILDREN**
- **Seek immediate medical attention** if a battery is suspected to be swallowed or inserted inside any part of the body.

WARNING: ALWAYS anchor furniture to the wall.

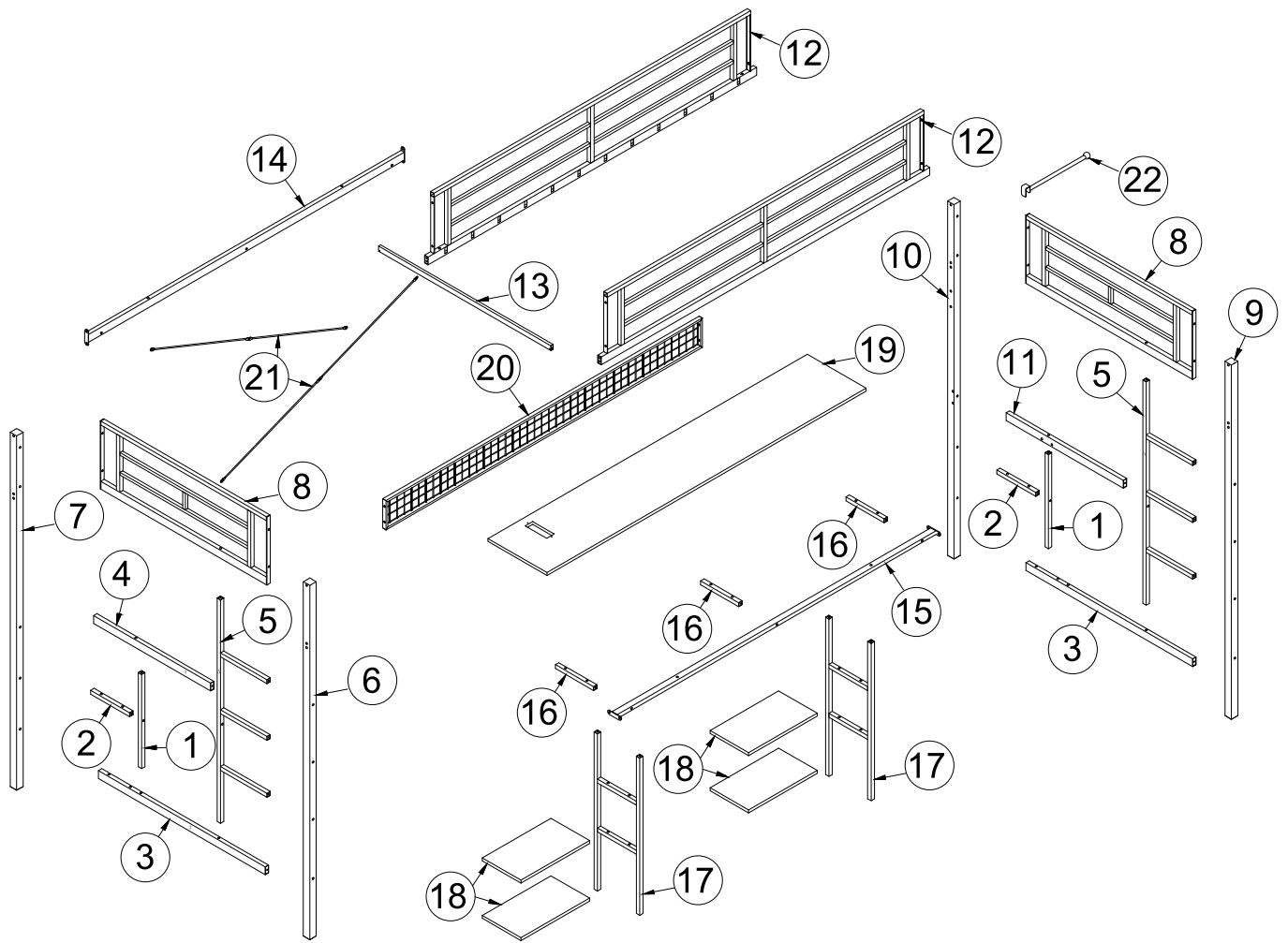
- Anchoring is **ESSENTIAL** to prevent tip-overs.
- Anchor **DIRECTLY** to wall studs or masonry using appropriate hardware.
- **CONSULT** a qualified professional if you are uncertain about your wall construction or how to install anchors properly.
- **REFER** to your television and furniture owner' s manuals for model-specific instructions.
- **NEVER** remove wall anchors without first emptying all items from the furniture.

CAUTION: Use only furniture designed for TVs.

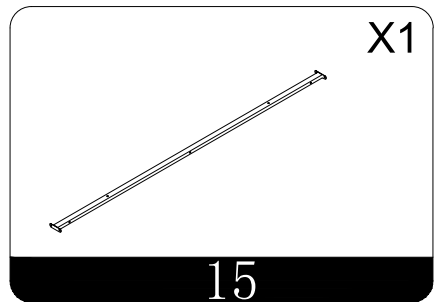
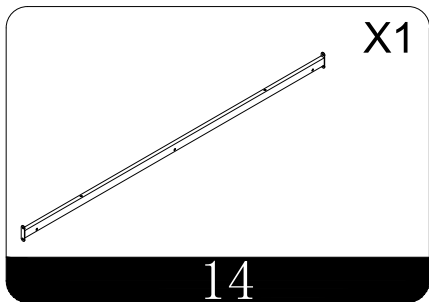
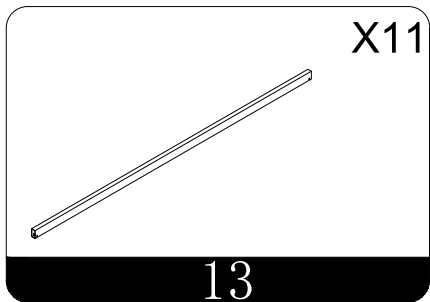
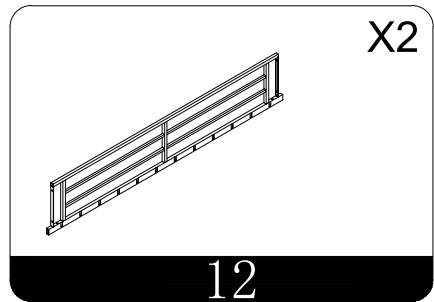
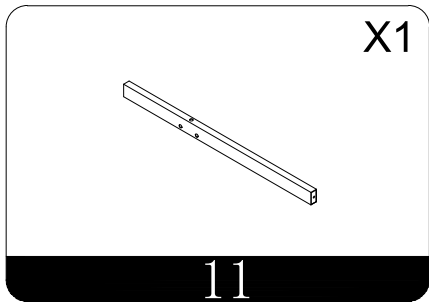
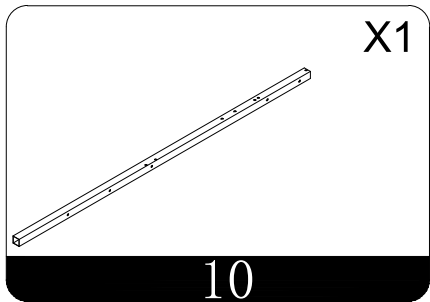
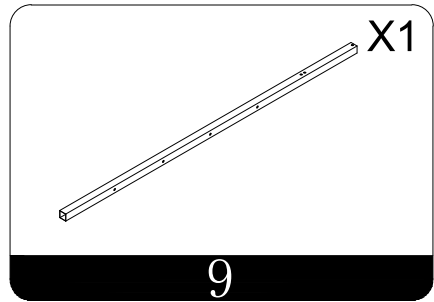
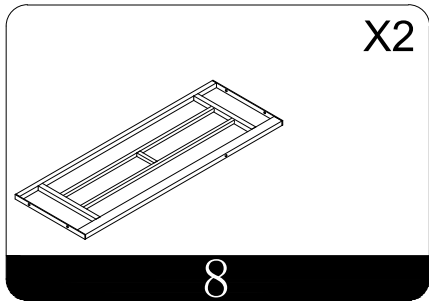
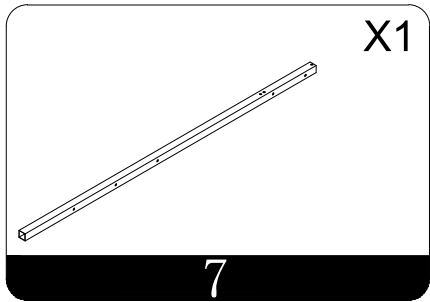
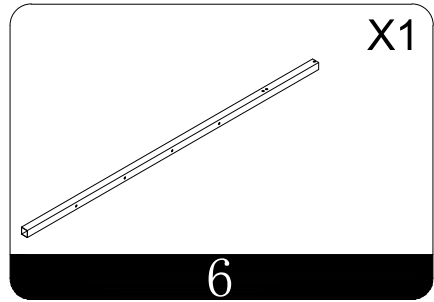
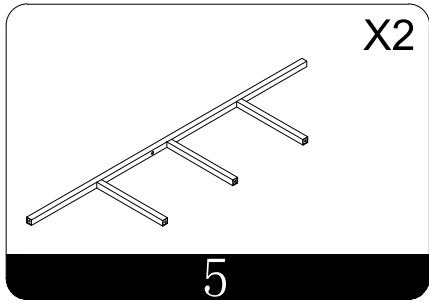
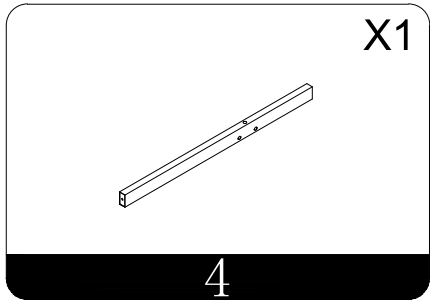
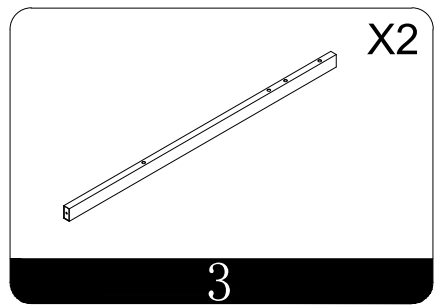
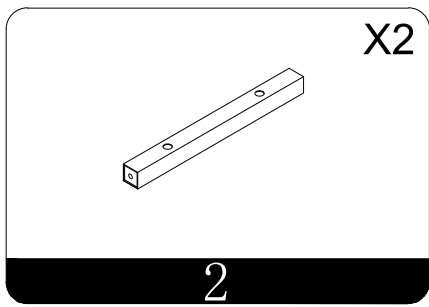
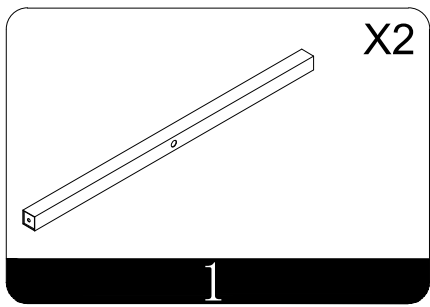
- Placing a TV on furniture **NOT** designed for it (e.g., dressers, bookcases) creates a top-heavy, unstable hazard.
- **USE ONLY** furniture specifically designed and rated to support the weight and size of your television.
- **FOLLOW** all manufacturer instructions for installation and weight limits.

For more details, visit <https://www.anchorit.gov/>

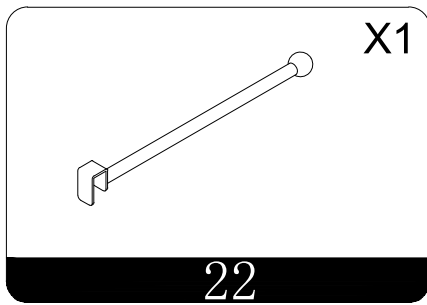
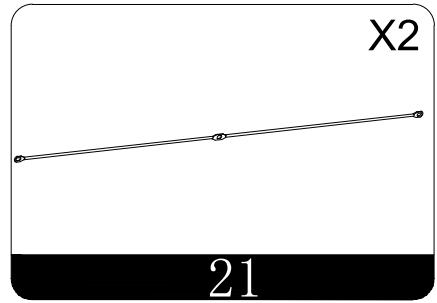
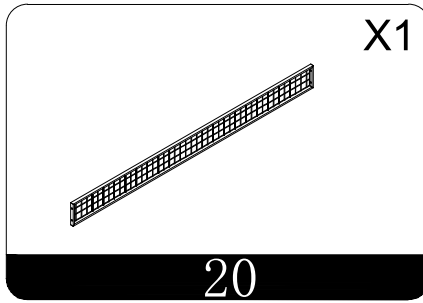
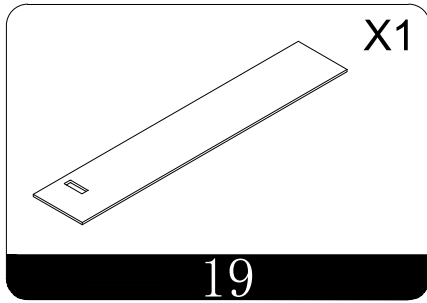
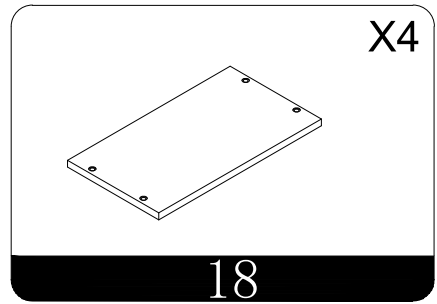
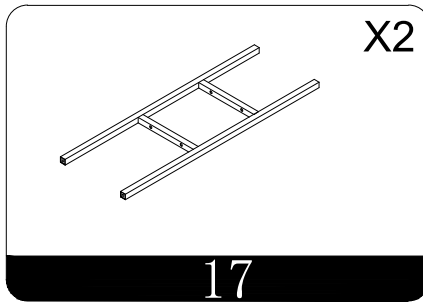
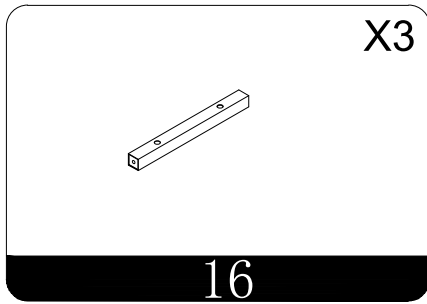
EXPLODED VIEW



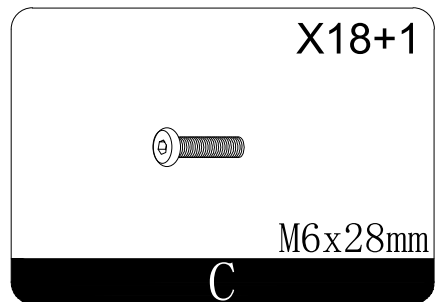
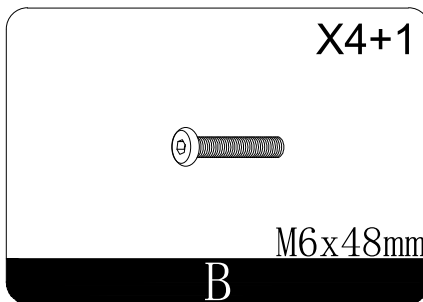
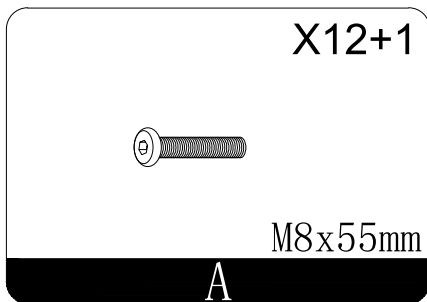
PARTS



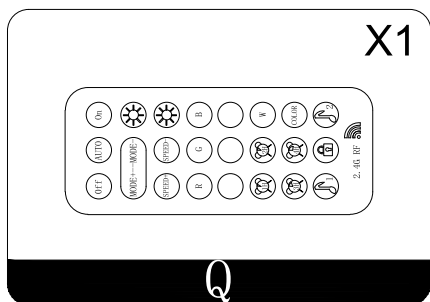
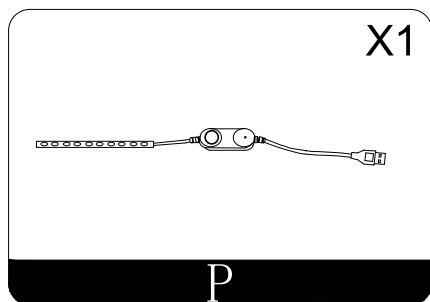
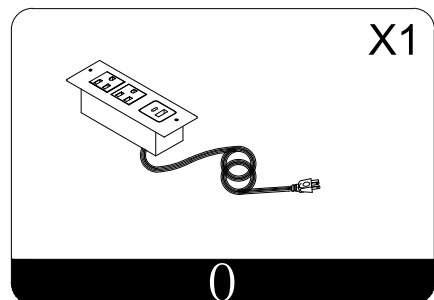
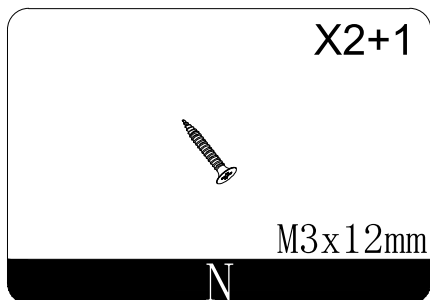
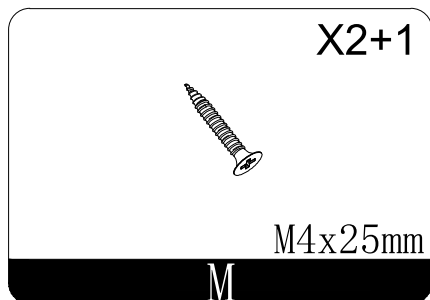
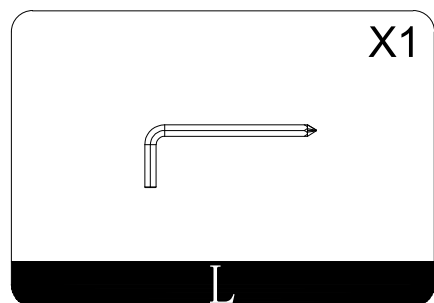
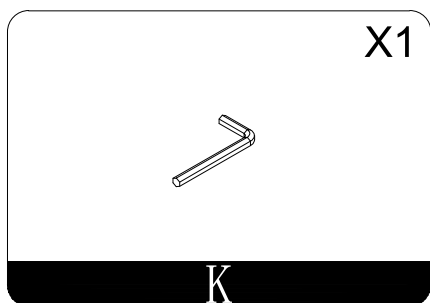
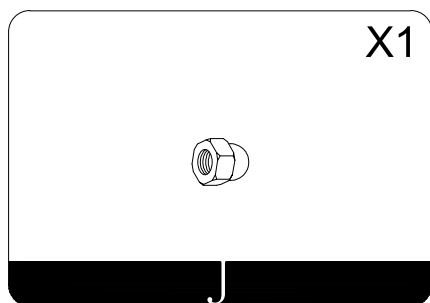
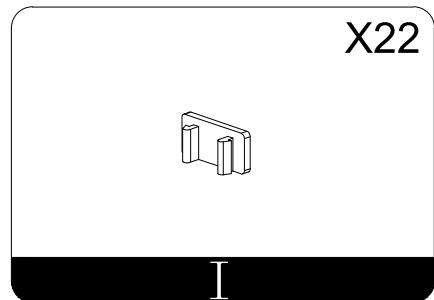
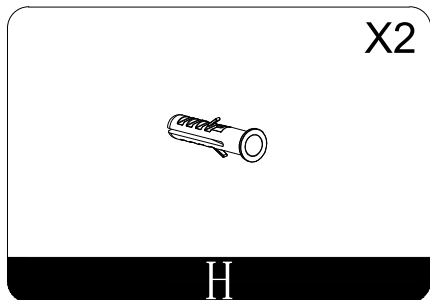
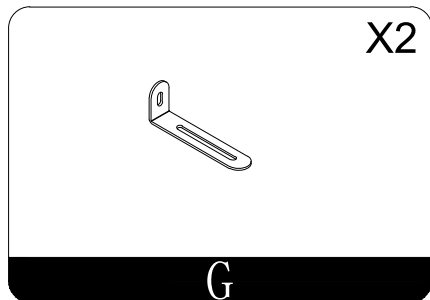
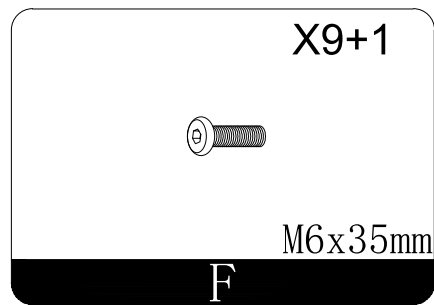
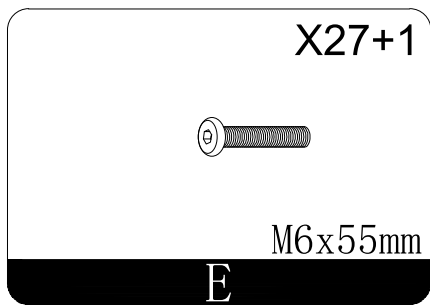
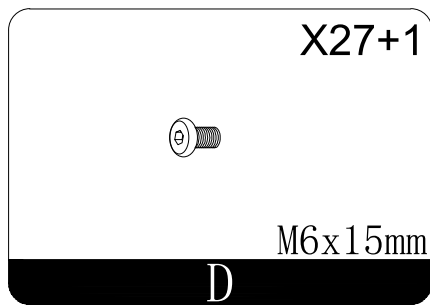
PARTS



HARDWARE



HARDWARE

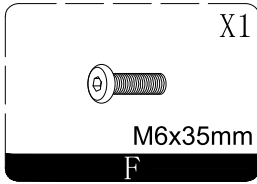
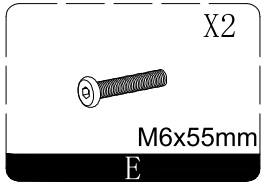
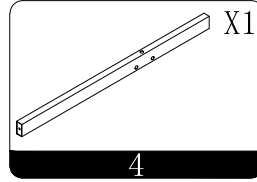
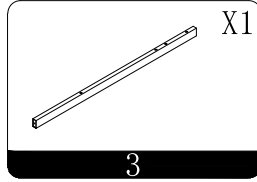
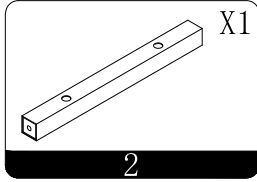
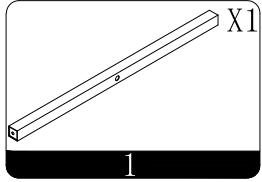


ASSEMBLY INSTRUCTIONS

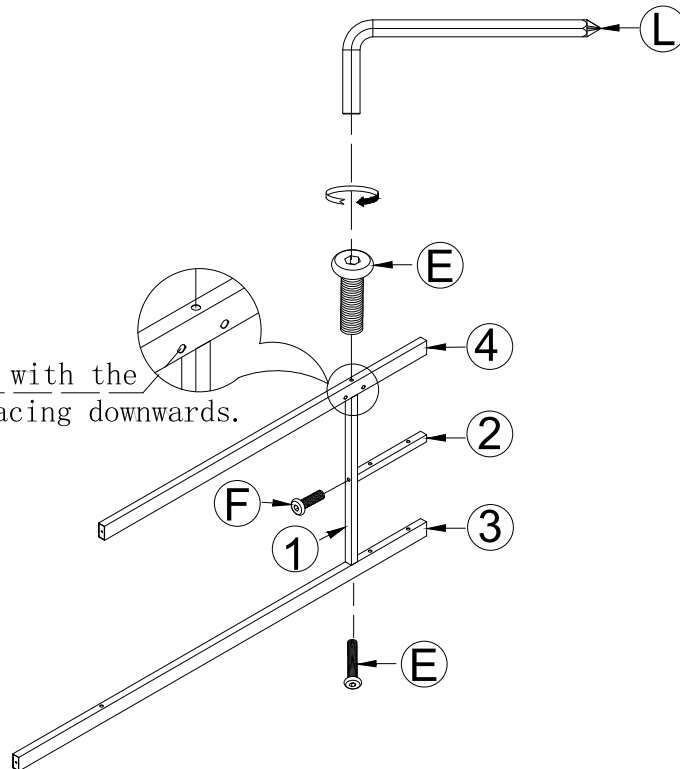


Do not tighten the screws until all of them are fastened into the holes.

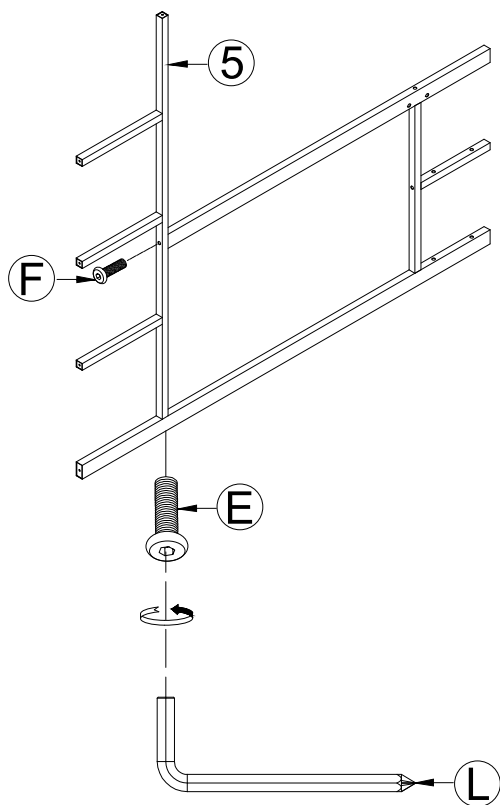
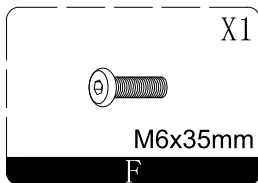
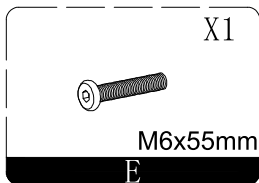
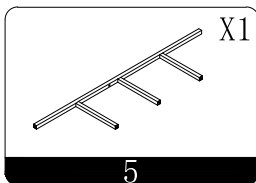
STEP 1



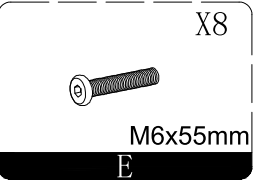
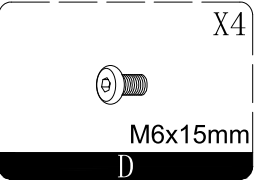
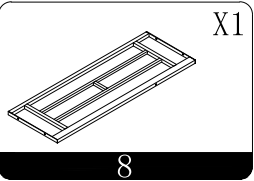
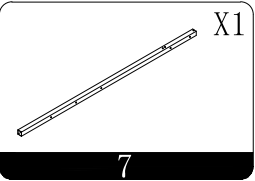
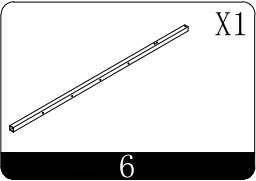
Note: Install the side with the smaller hole spacing facing downwards.



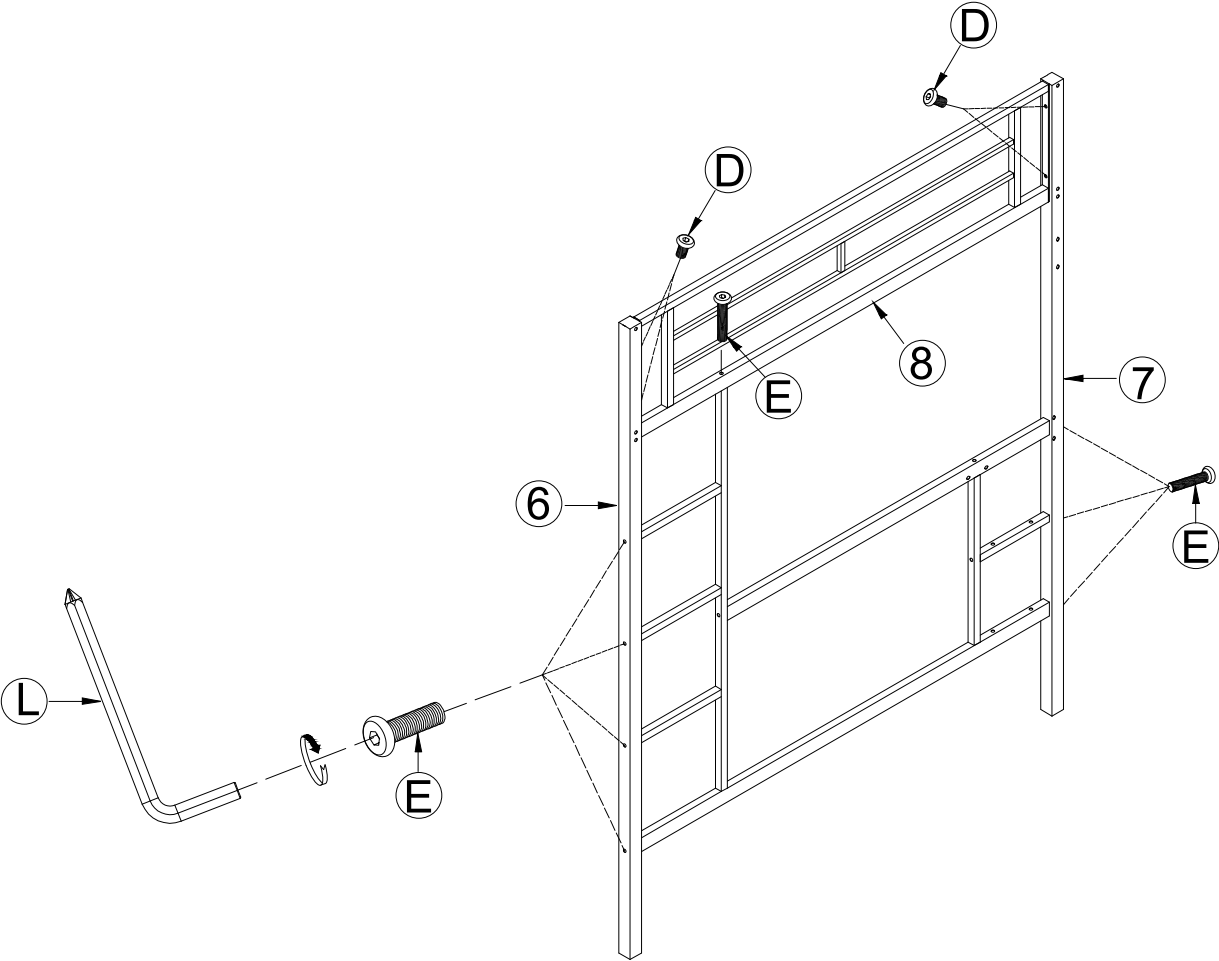
STEP 2



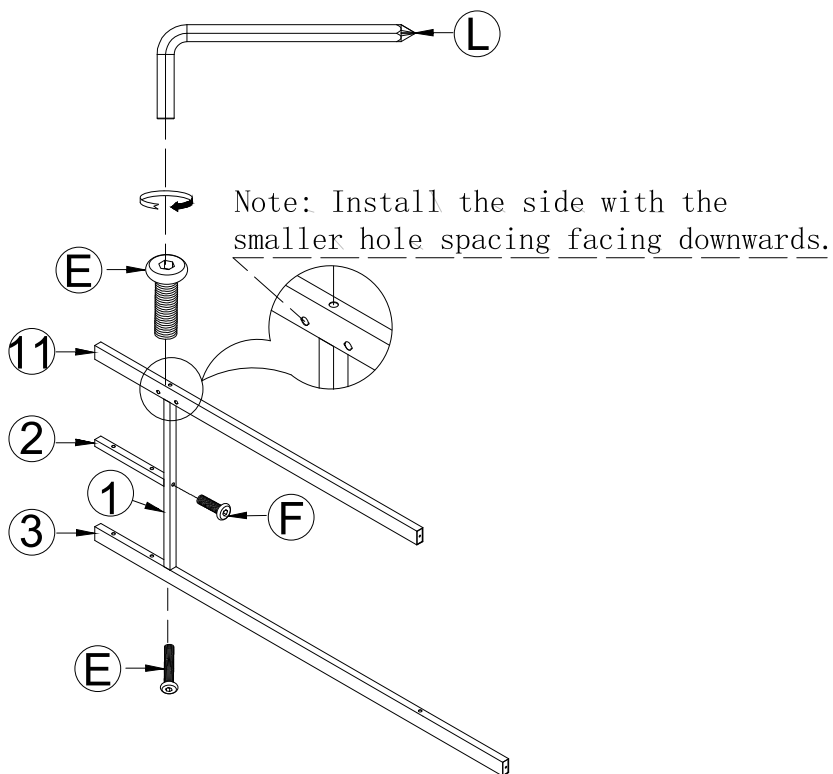
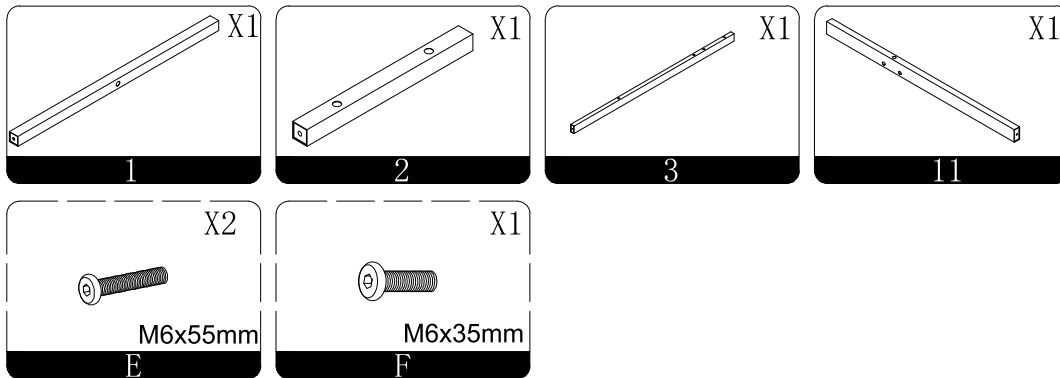
STEP 3



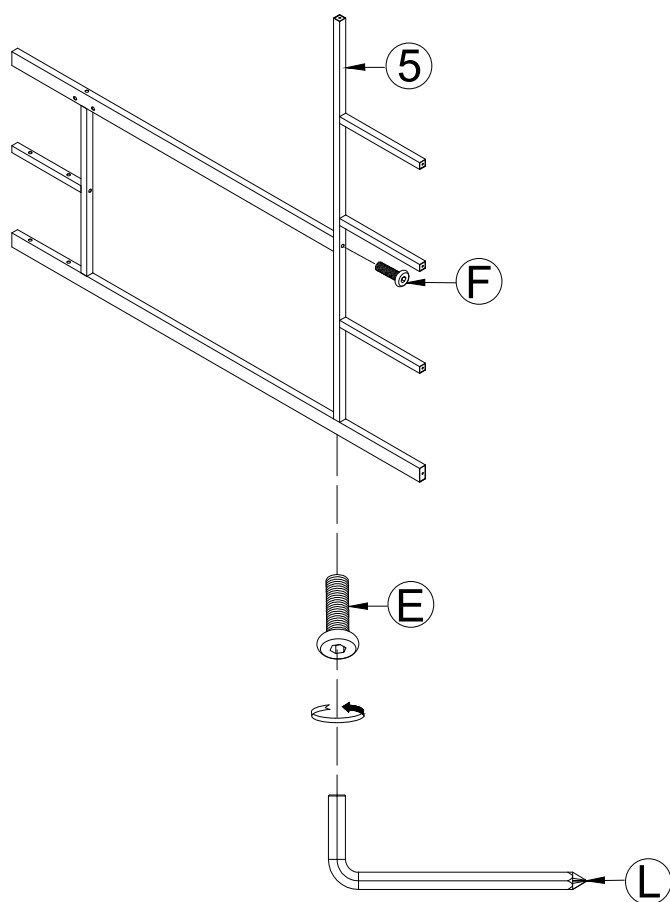
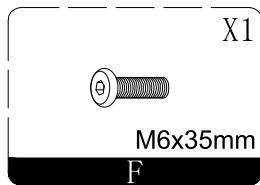
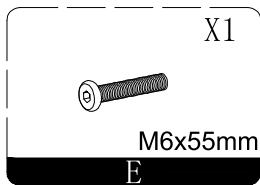
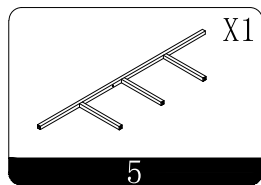
Note: Installation of this accessory requires 2–3 people.



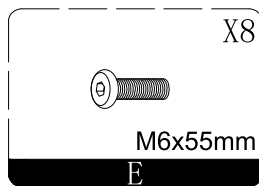
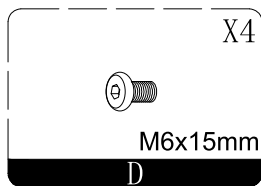
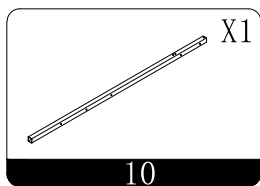
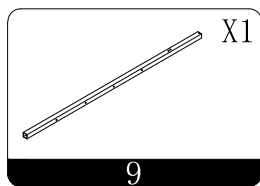
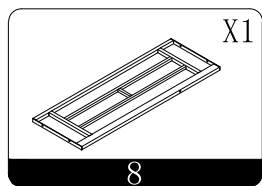
STEP 4



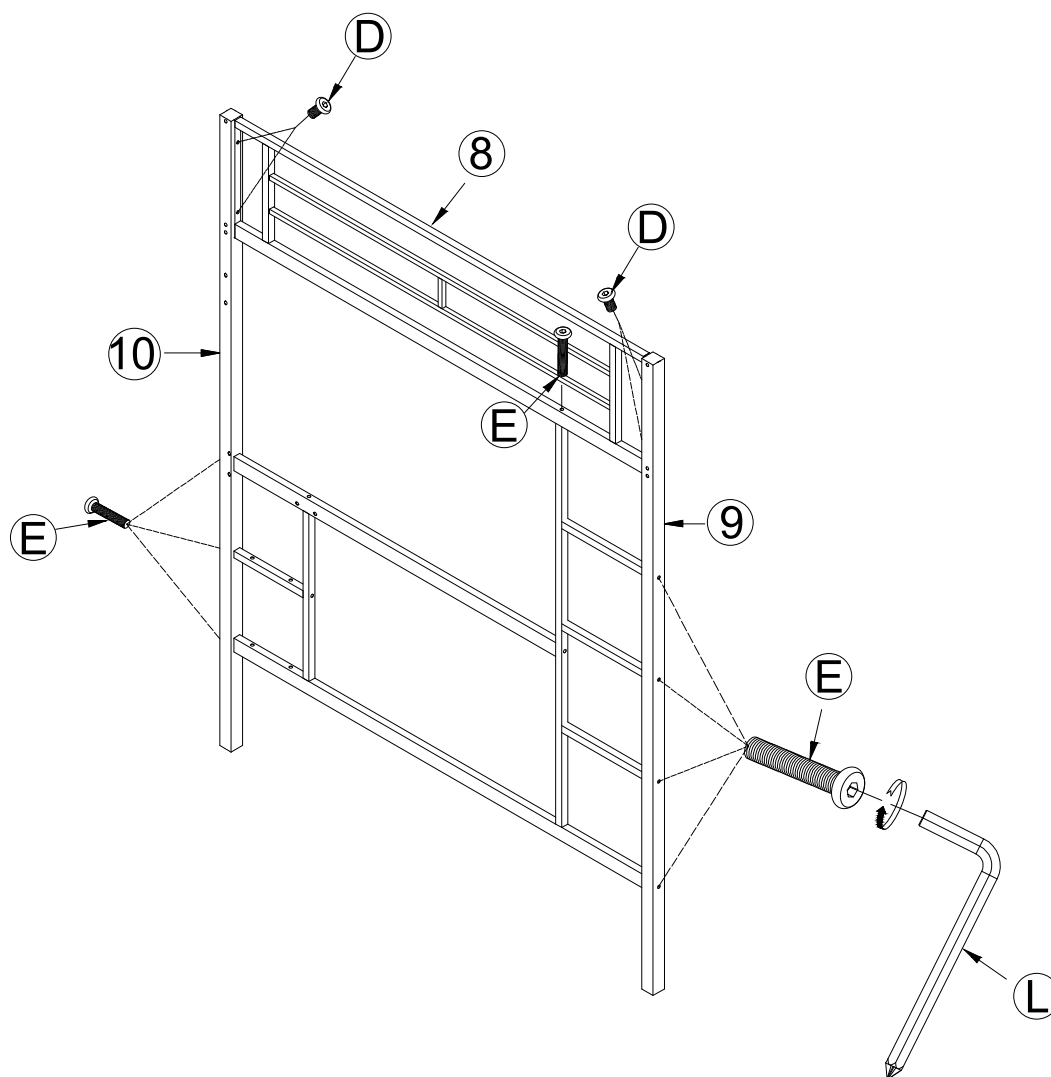
STEP 5



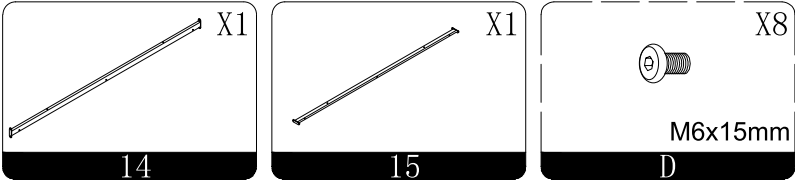
STEP 6



Note: Installation of this accessory requires 2–3 people.

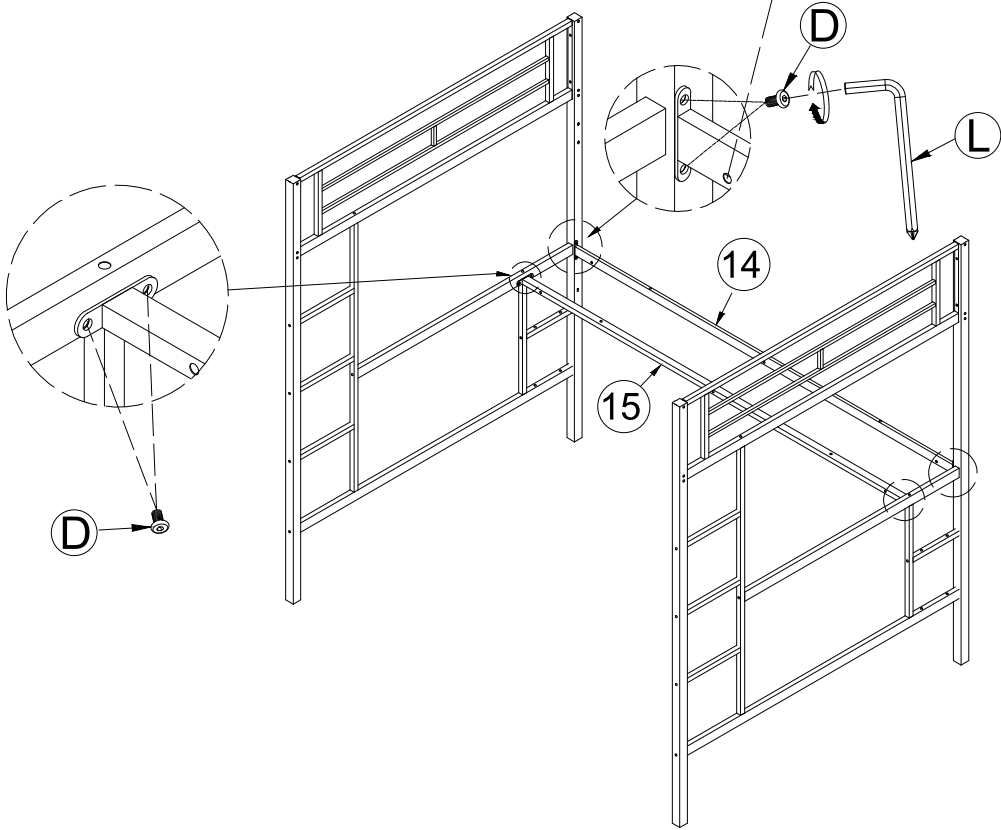


STEP 7

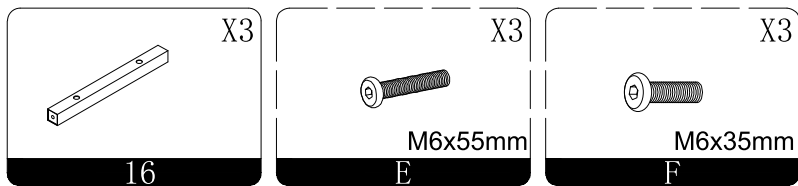


Note: Installation of this accessory requires 2–3 people.

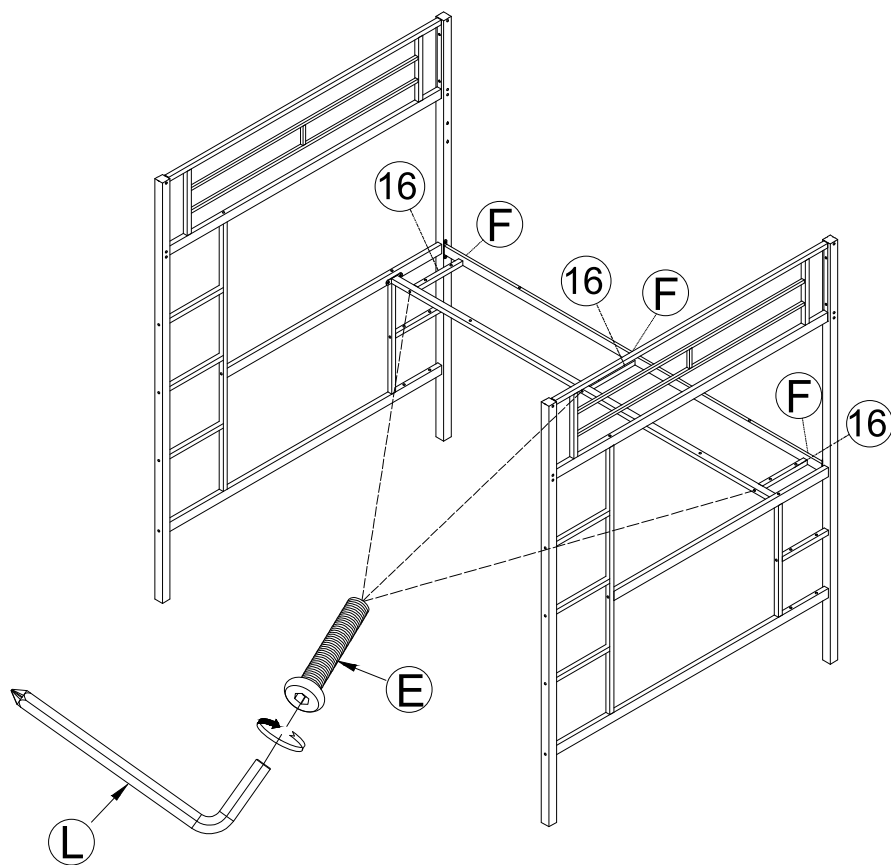
Note: Install the side with the smaller hole spacing facing downwards.



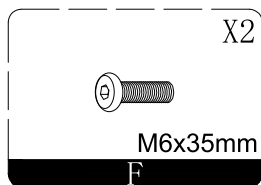
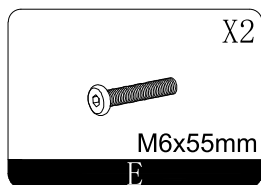
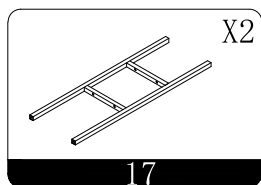
STEP 8



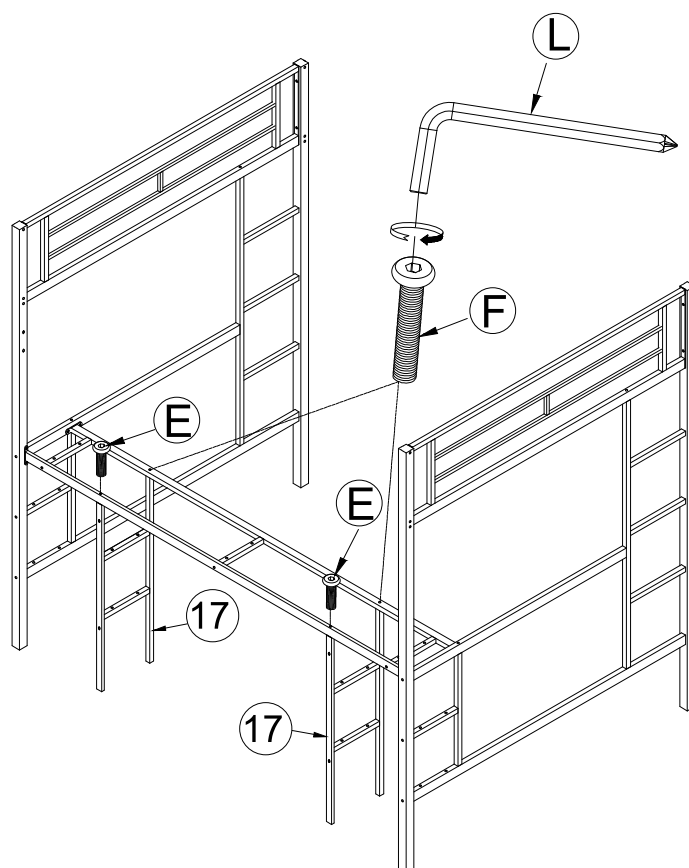
Note: Installation of this accessory requires 2–3 people.



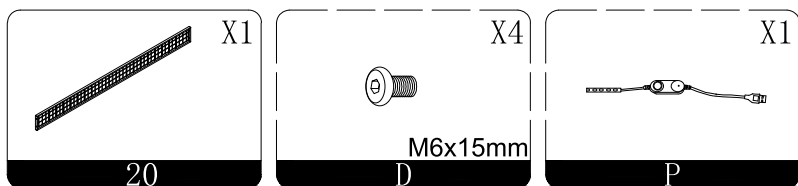
STEP 9



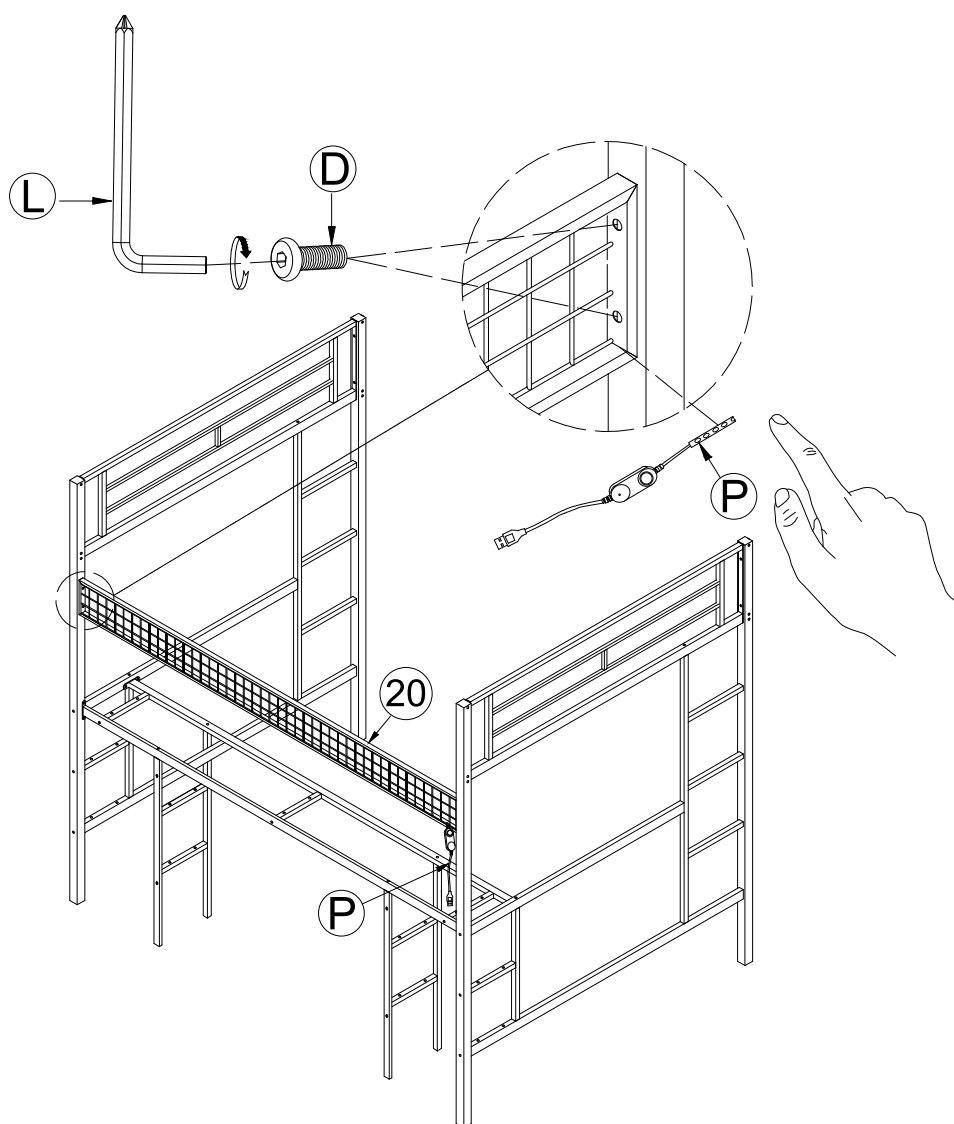
Note: Installation of this accessory requires 2–3 people.



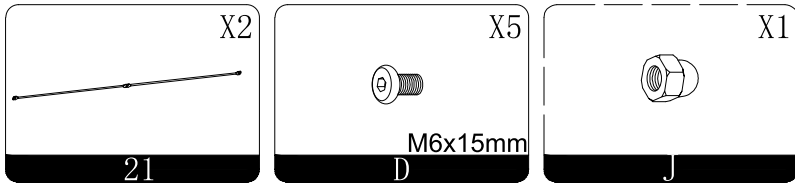
STEP 10



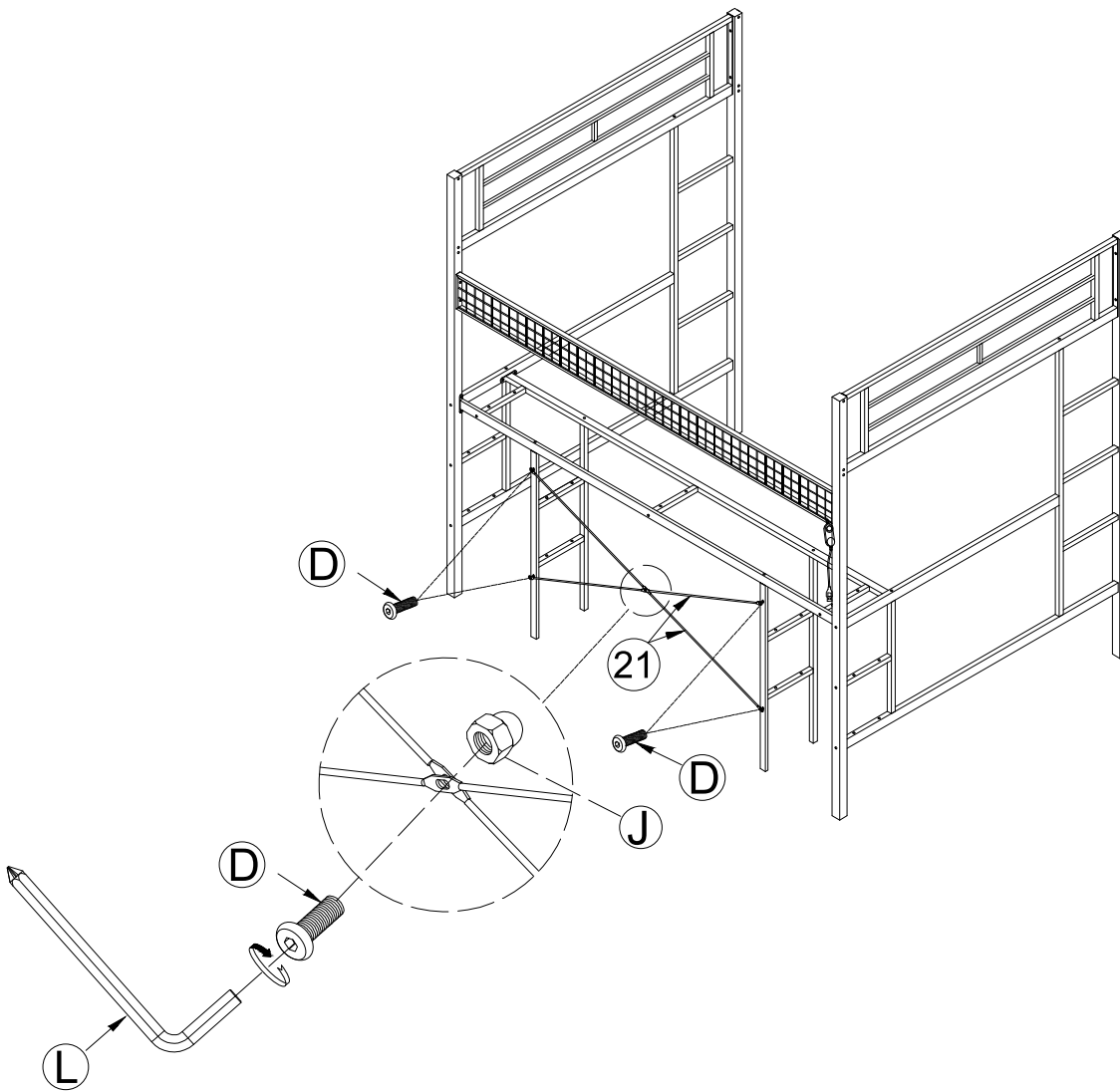
Note: Installation of this accessory requires 2–3 people.



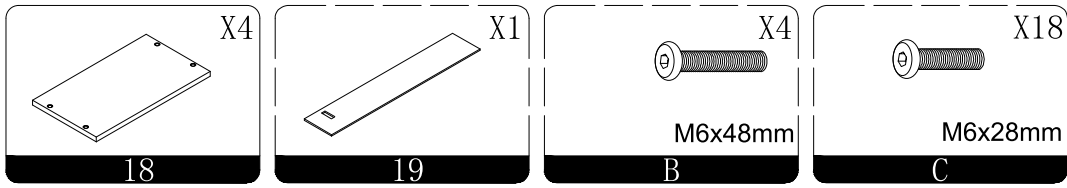
STEP 11



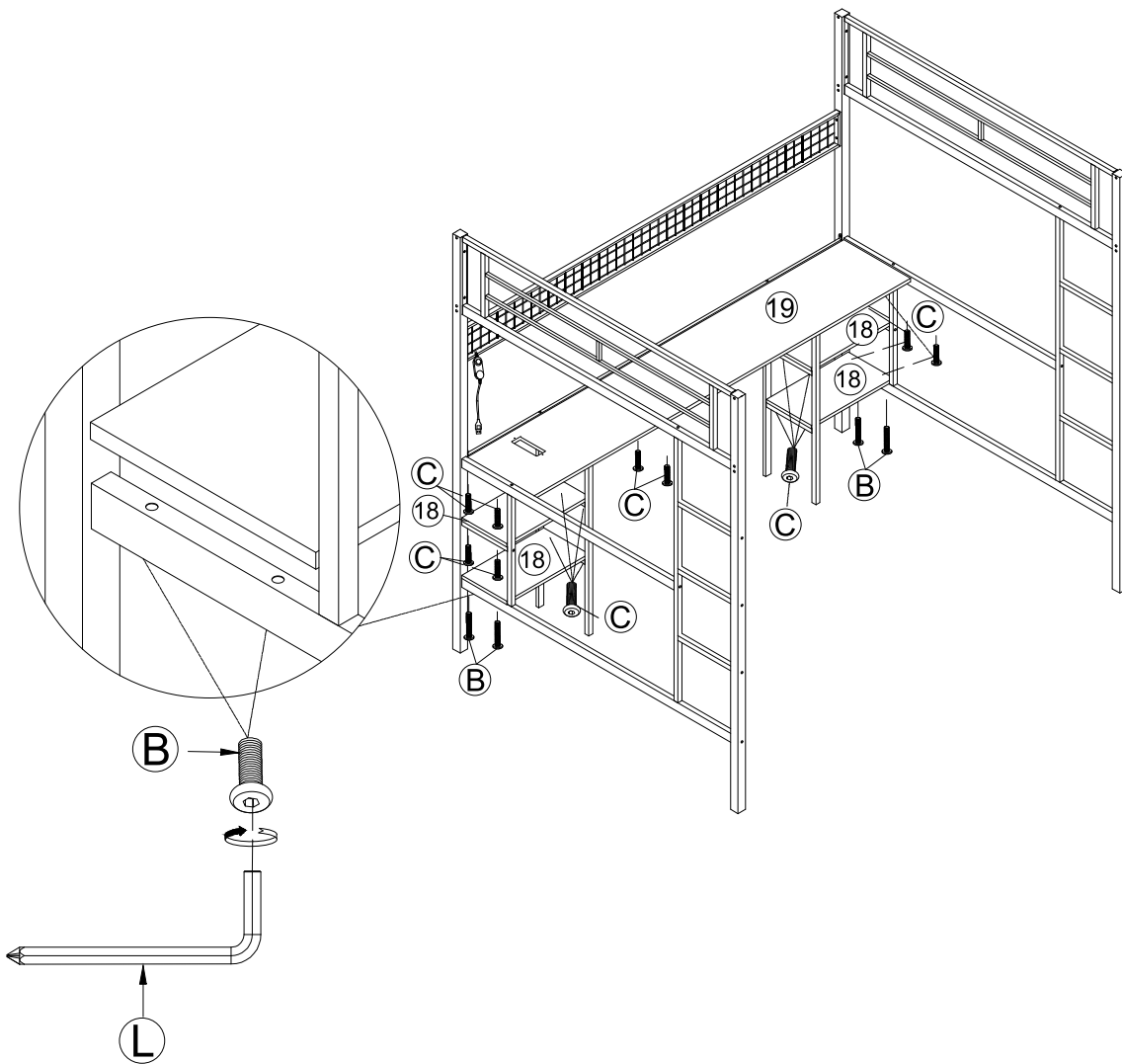
Note: Installation of this accessory requires 2–3 people.



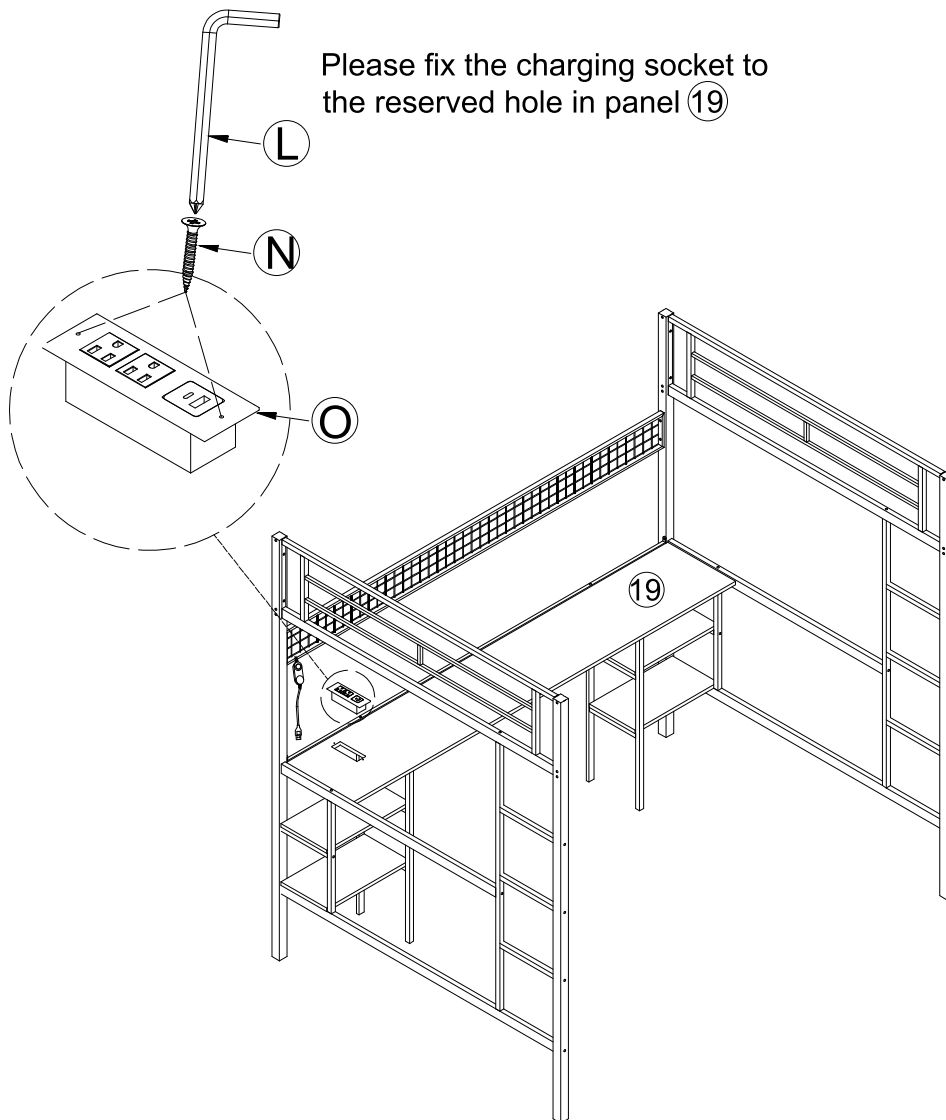
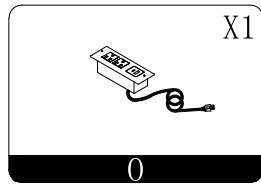
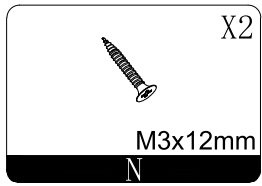
STEP 12



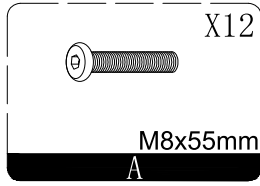
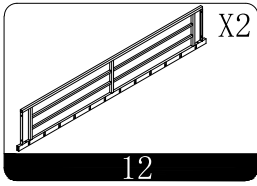
Note: Installation of this accessory requires 2–3 people.



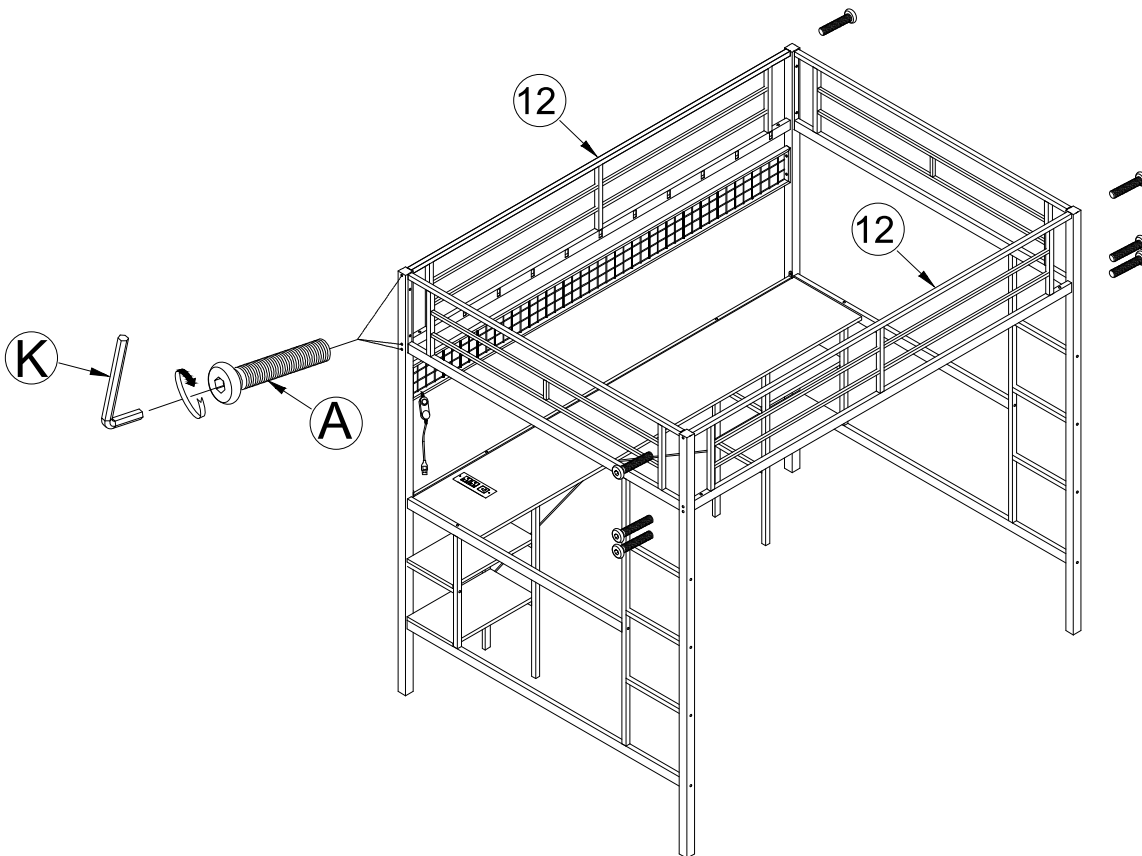
STEP 13



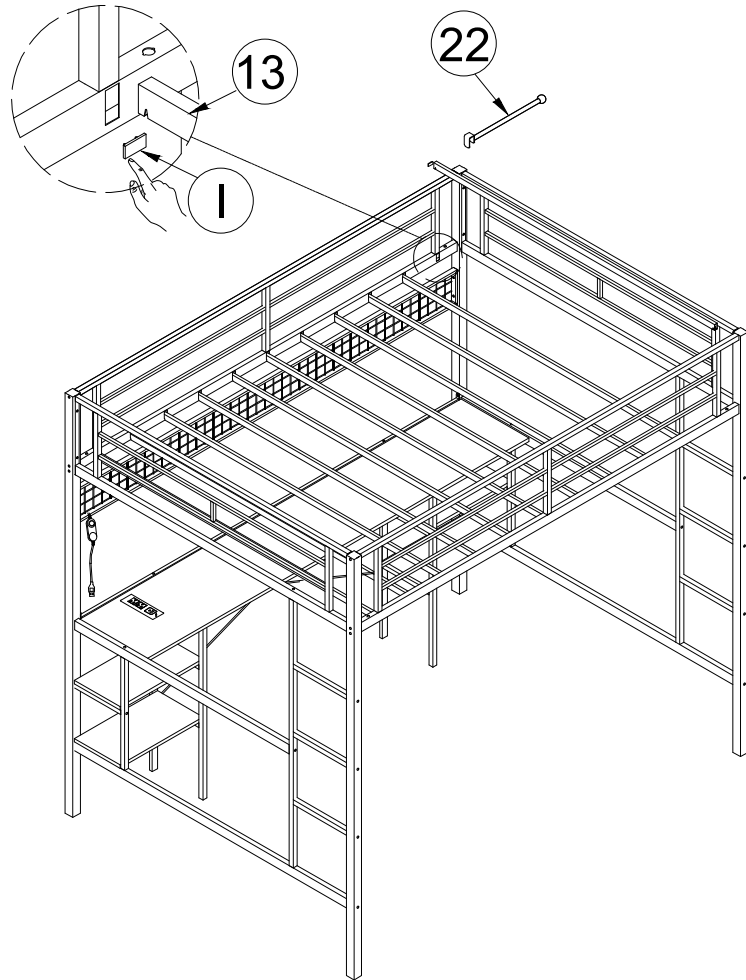
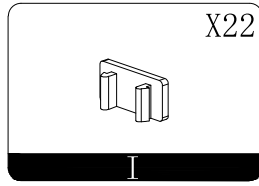
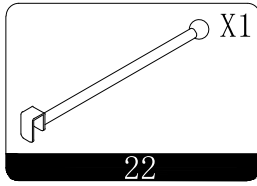
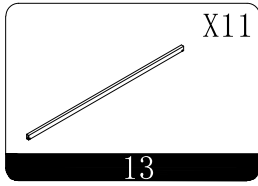
STEP 14



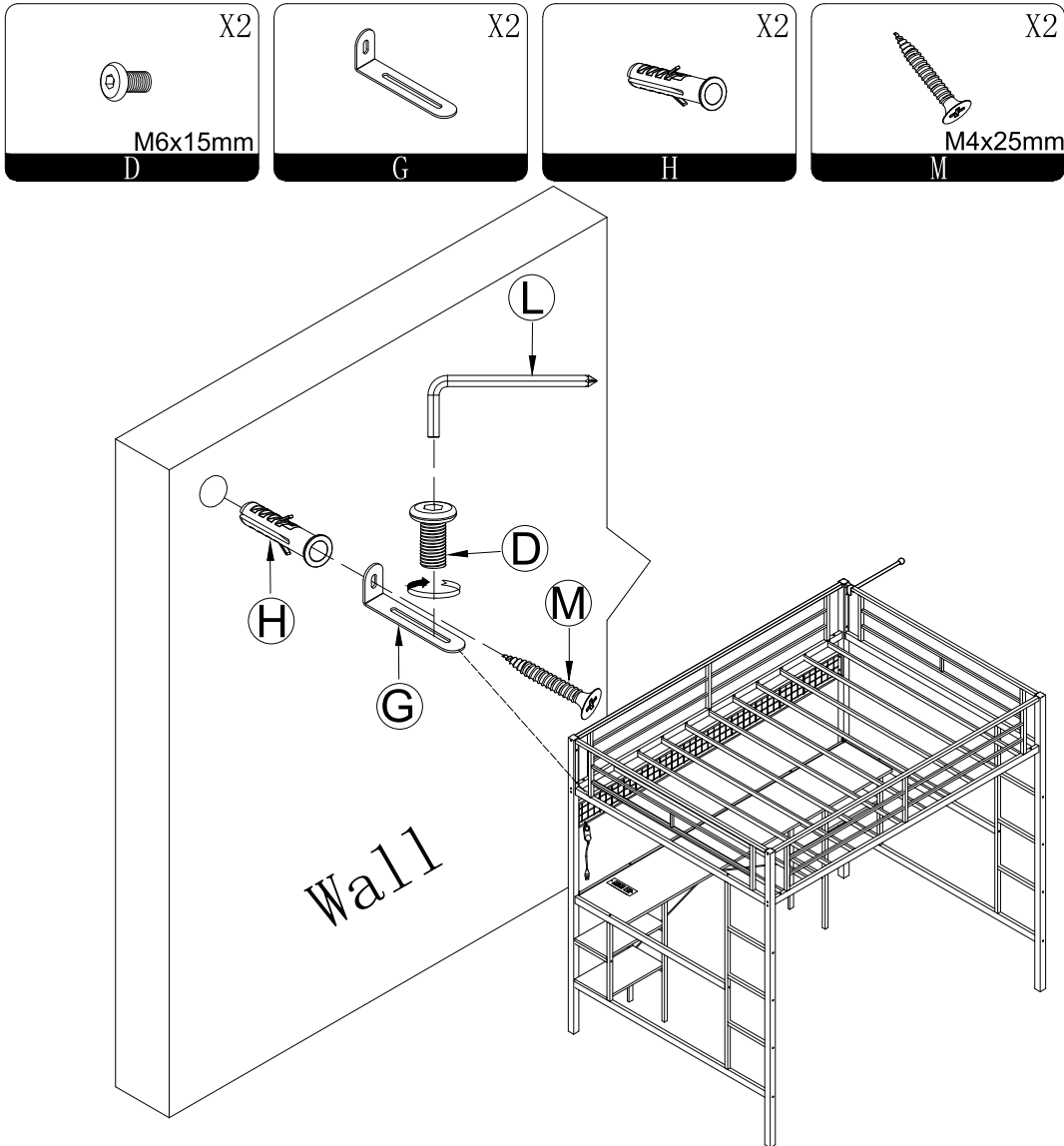
Note: Installation of this accessory requires 2–3 people.



STEP 15



STEP 16



Wall Mounting Instructions



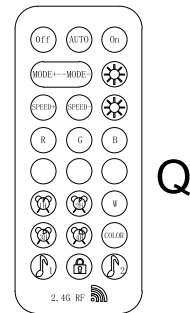
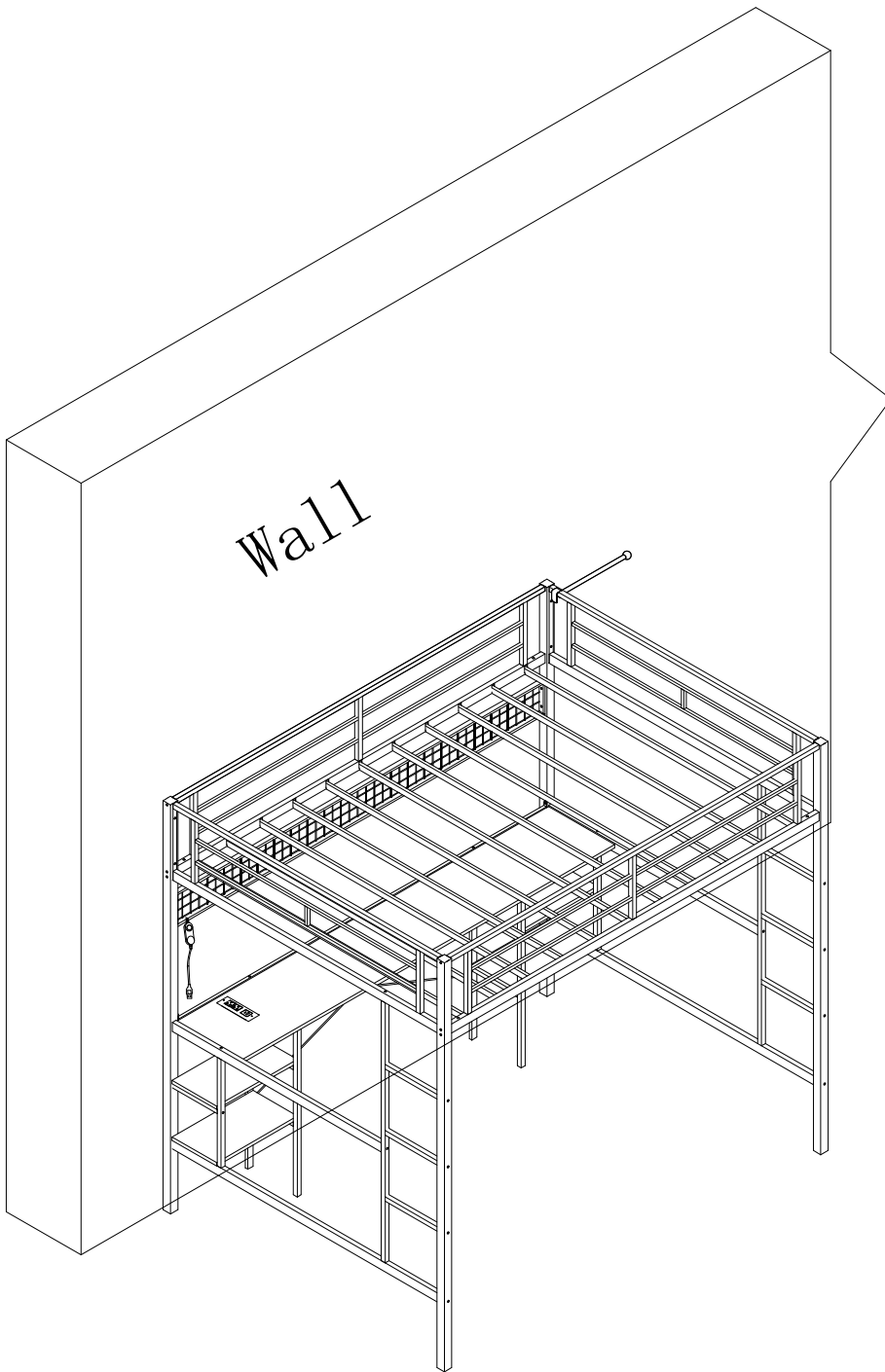
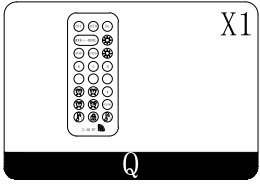
CAUTION — Risk of Furniture Tip-Over. Always anchor this furniture securely to the wall.

- Using the screws provided and a screwdriver.
- Noting the location of the product mounting, mark the corresponding positions on the wall for the wall-mounted. Drill pilot holes at the marked locations into a wall stud.

NOTE: If wall studs are not available, drill holes slightly smaller than the drywall anchors. Insert each anchor until its flange is flush with the wall.

- Using a screwdriver, secure the mounting bracket(s) to the wall stud or to the drywall anchors using the screws provided.
- Place the product in its final position. Secure one end of the "L"-shaped anti-tip hardware to the wall mounting hole and the product mounting on the iron pipe, adjusting to remove any slack. Do not overtighten.

STEP 17



MAINTENANCE

- Wipe the surface with a soft, damp cloth and dry immediately.
 - Avoid using chemical cleaners, solvents, or abrasive pads that could damage the finish.
 - Do not place hot, wet, or heavy items directly on the surface.
 - Keep the furniture away from direct sunlight and excessive humidity to prevent warping or discoloration.
 - Check and tighten all screws periodically to maintain stability.
-

Warranty & Support

Limited Warranty

This product is backed by a limited warranty that covers manufacturing defects under normal household use.

Customer Service

If you have received a damaged product or are missing parts, please contact us directly for assistance. Do not return the product to the store.

When contacting us, please provide the following information:

- Order number or proof of purchase
- Clear photos showing the issue or damaged parts
- Product model number (as listed in this manual)

 Email: info@serviceprohelp.com

We will respond promptly with instructions for replacement parts or other solutions.

Thank you for choosing our product. Enjoy your new furniture!

Product name: LOFT BED WITH DESK

Manufacturer: Dongguan Lijiurui Furniture Co., Ltd.

Manufacturer Address: Room 101, Building 5, No. 8 Qiaoxin West 2nd Road, Qiaotou Town, Dongguan City, Guangdong Province

Importer address : 3285 De Forest Cir, Jurupa Valley, CA 91752

Telephone: (646) 956-1541

Made in China