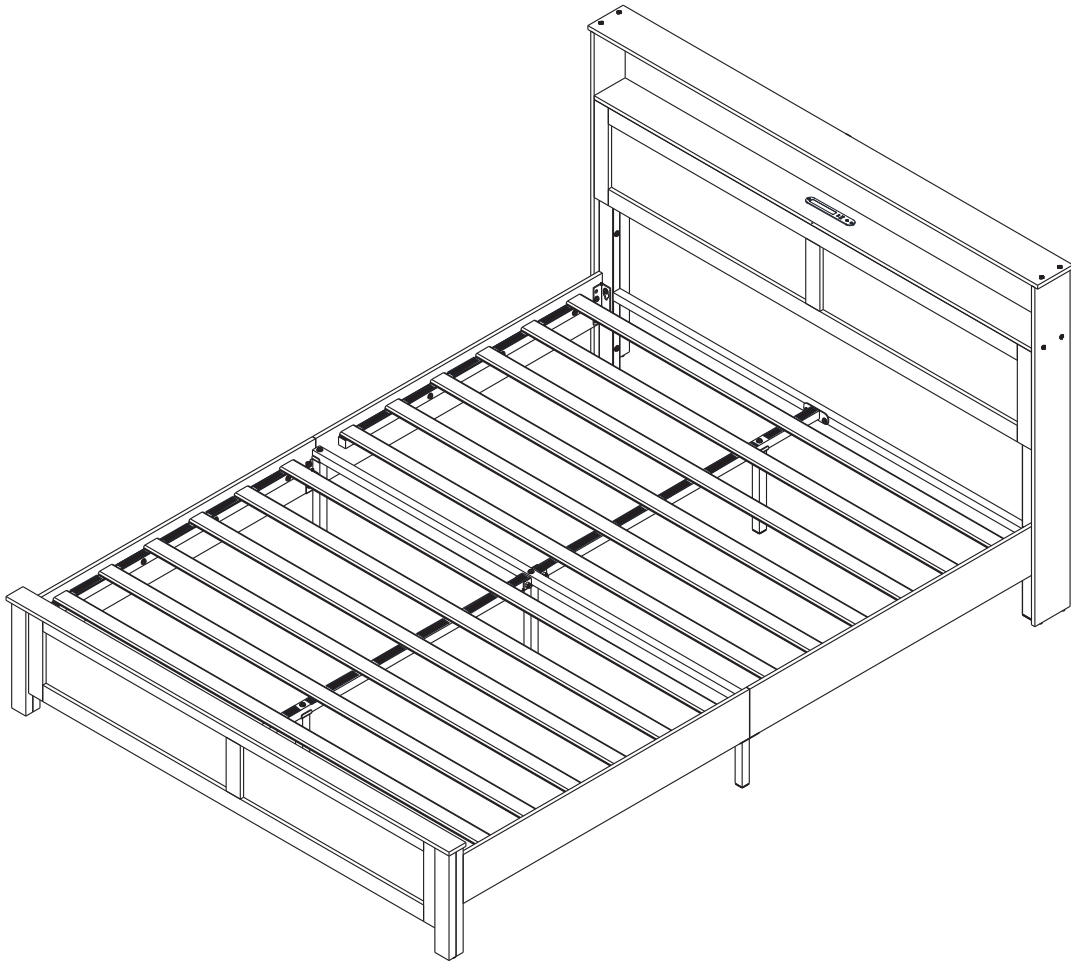


# BED FRAME



Thank you for choosing our products, please assemble and use it following the instructions.

## WARNING & SAFETY INFORMATION

READ ALL INSTRUCTIONS CAREFULLY BEFORE ASSEMBLY AND KEEP FOR FUTURE REFERENCE.

**REQUIRES TWO OR MORE PEOPLE:** Assembly requires at least two adults to prevent injury and ensure stability.

**CHECK PARTS:** Before starting, verify all parts and hardware against the parts list. Do not proceed if any item is missing or damaged.

**TOOL SAFETY:** Use correct tools. Keep tools and hardware away from children.

**ASSEMBLY AREA:** Assemble on a soft, non-scratch surface (e.g., carpet, cardboard) in a clean, well-lit area.

**DO NOT OVERTIGHTEN INITIALLY:** During assembly, install all bolts and screws loosely first. Only fully tighten them after the entire frame is correctly assembled and aligned. Final tightening is crucial before use.

**STABILITY CHECK:** After assembly, ensure the bed frame is stable, level, and does not rock before adding the mattress or using it.

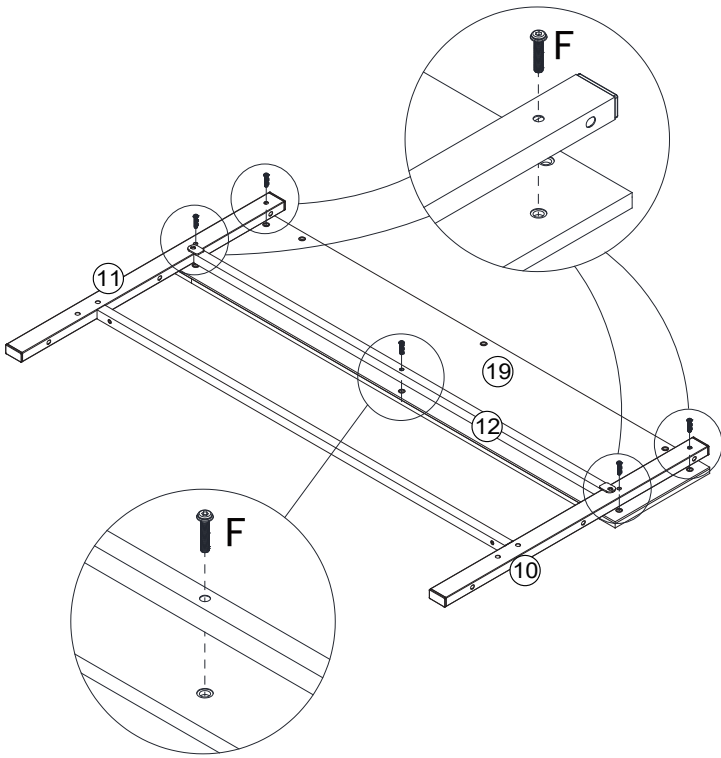
**WEIGHT LIMIT:** Do not exceed the maximum weight limit specified for this product.

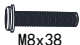
**PERIODIC CHECK:** Regularly check and retighten all connections to maintain safety and stability.



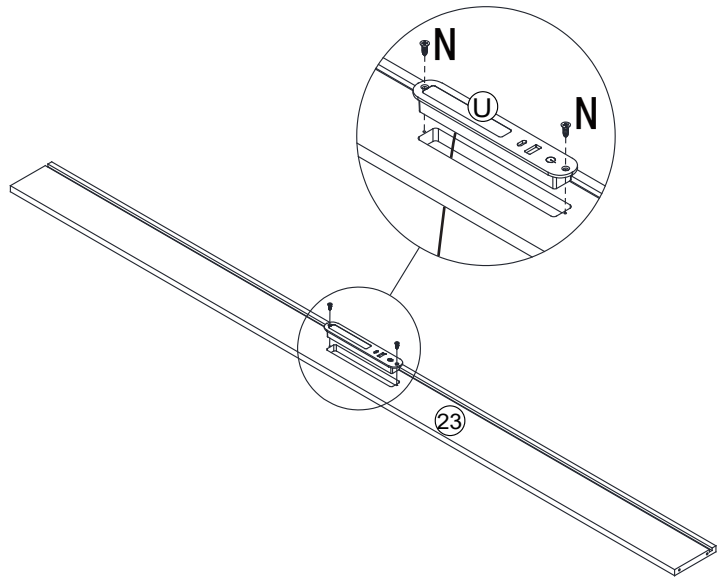


3



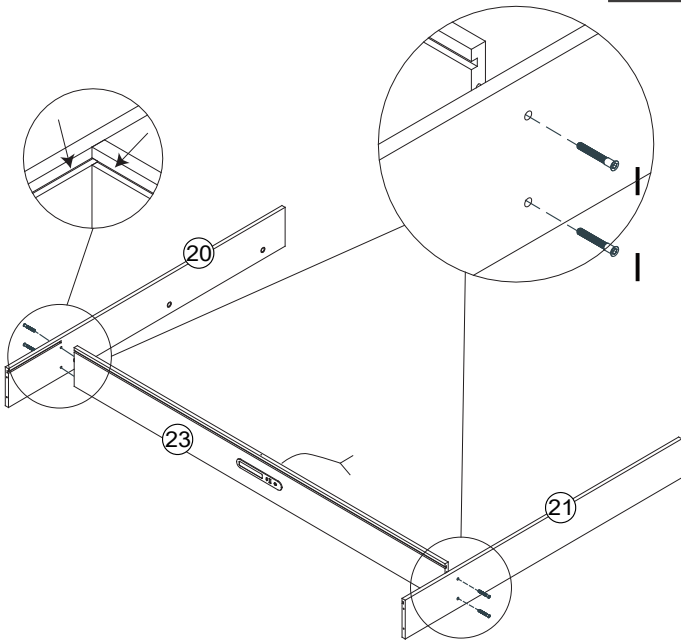
F		5pcs
---	---	------

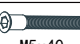
4



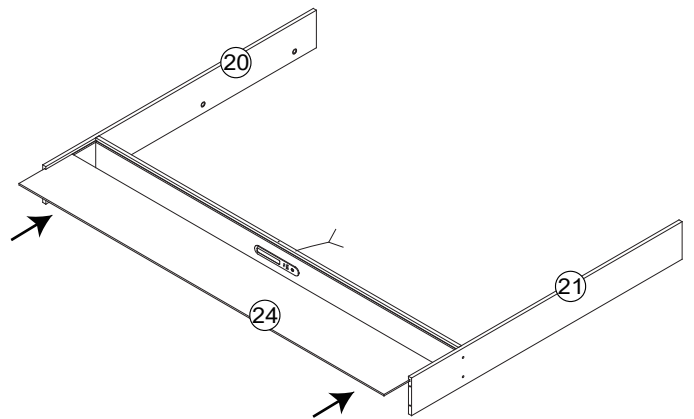
N		2pcs
---	--	------

5

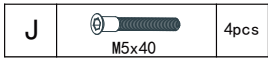
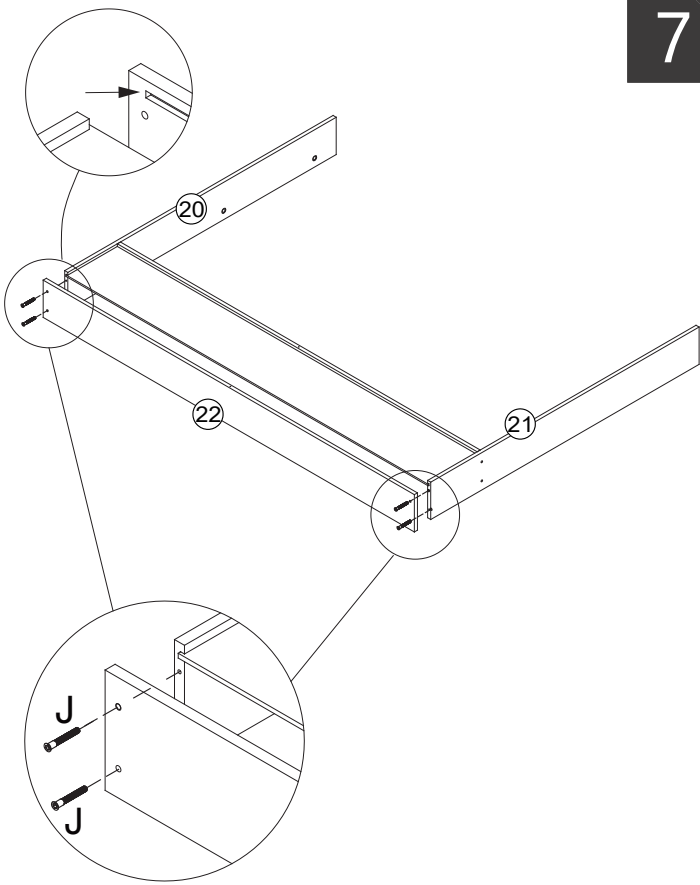


I		4pcs	white zinc
---	---	------	------------

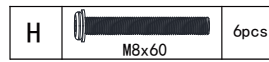
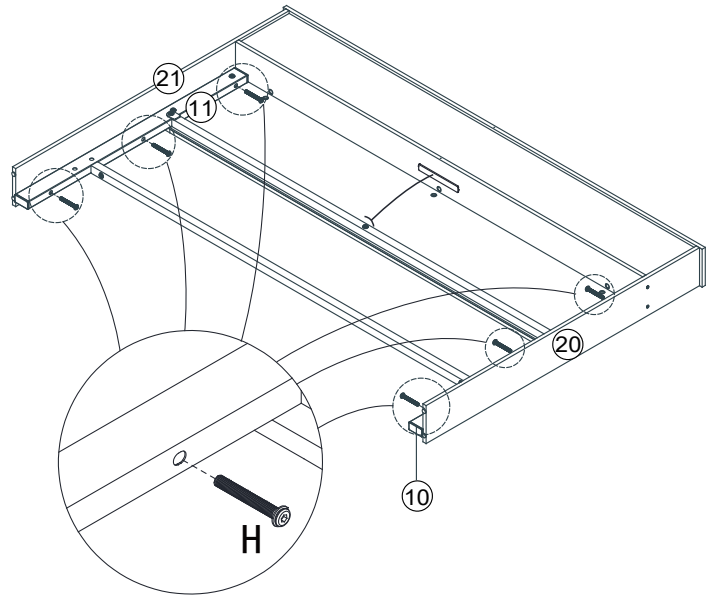
6



7

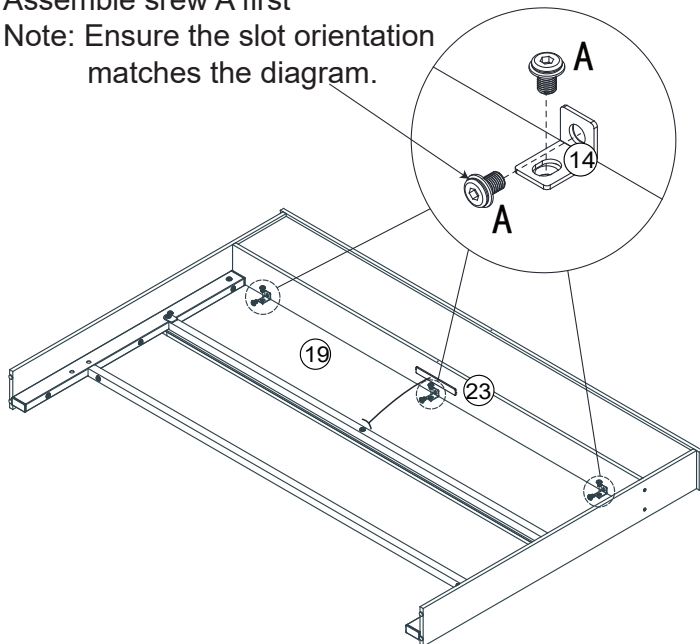


8

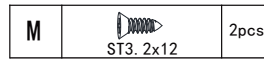
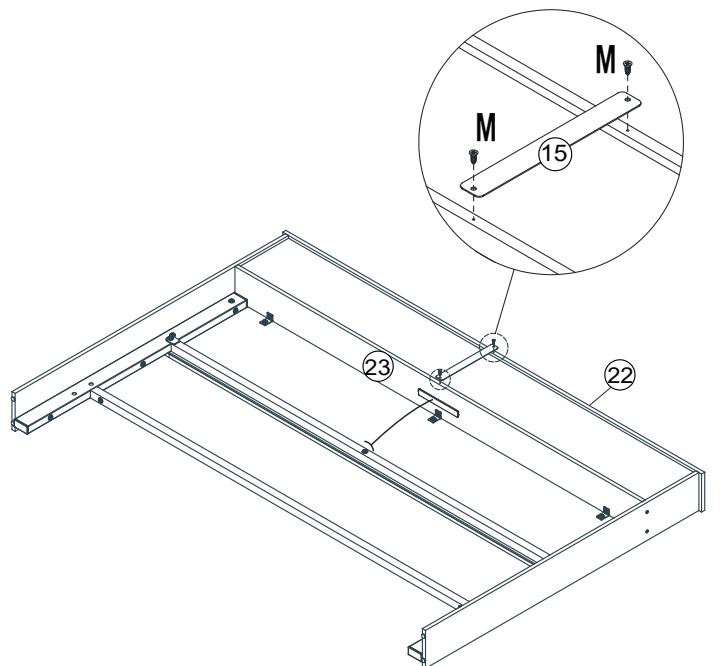


9

Assemble screw A first  
Note: Ensure the slot orientation matches the diagram.

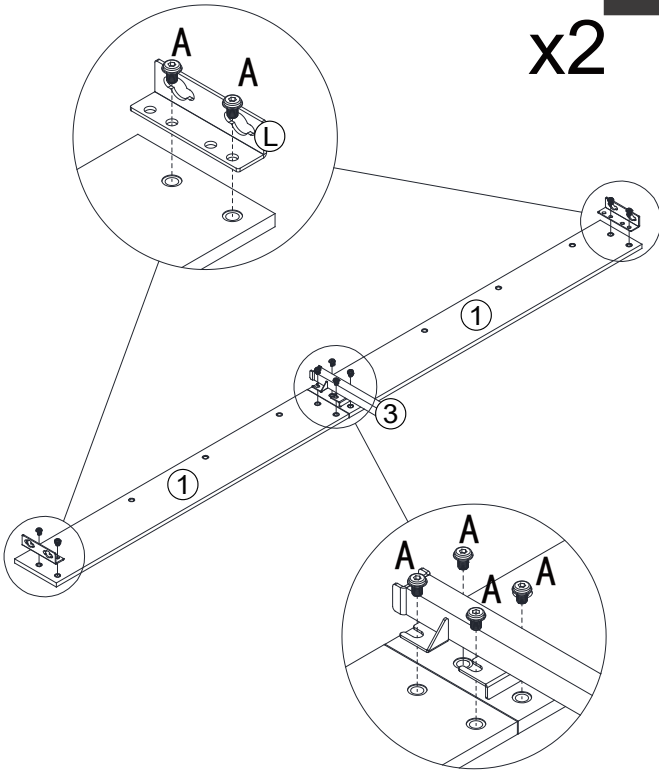


10



11

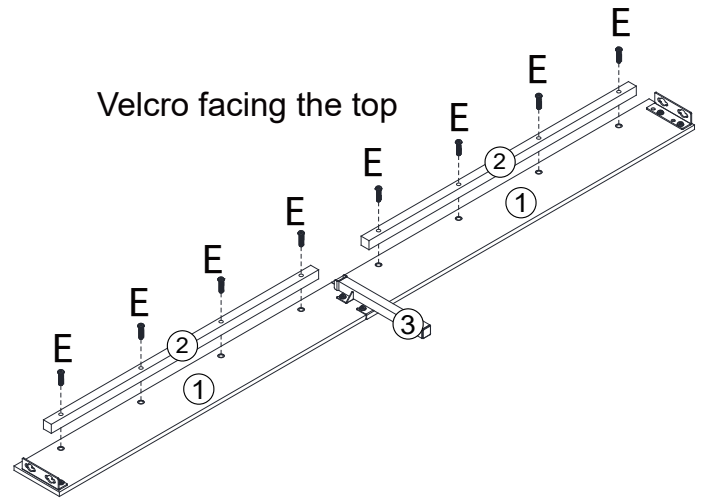
x2




A		16pcs
---	---	-------

12

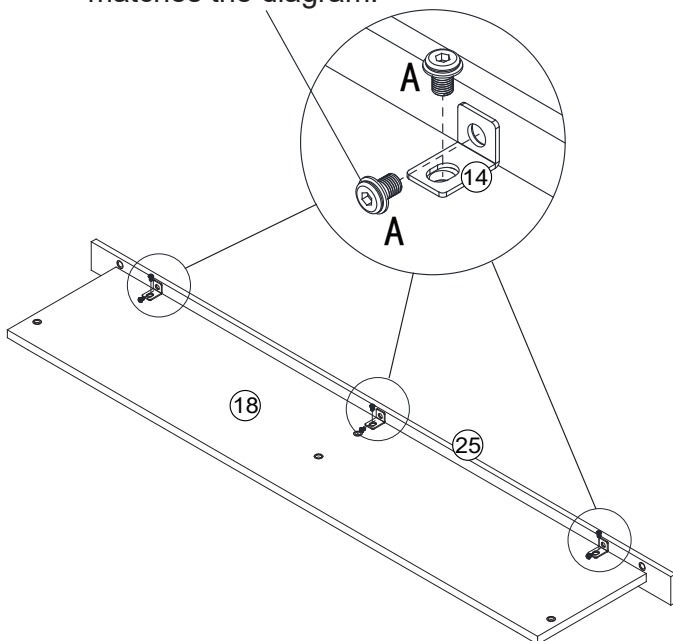
x2



E		16pcs
---	--	-------

13

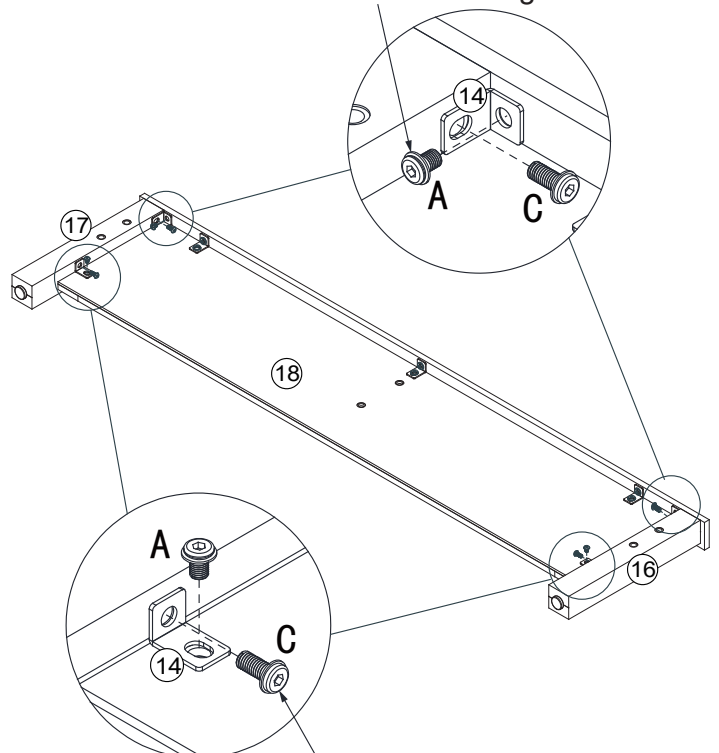
Assemble screw A first  
Note: Ensure the slot orientation matches the diagram.





A		6pcs
---	---	------

14

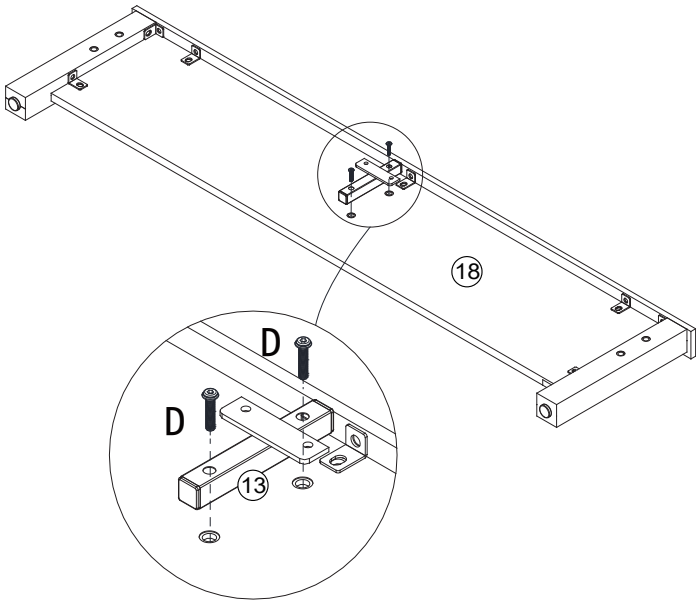
Assemble screw A first  
Note: Ensure the slot orientation matches the diagram.



A		4pcs
C		4pcs

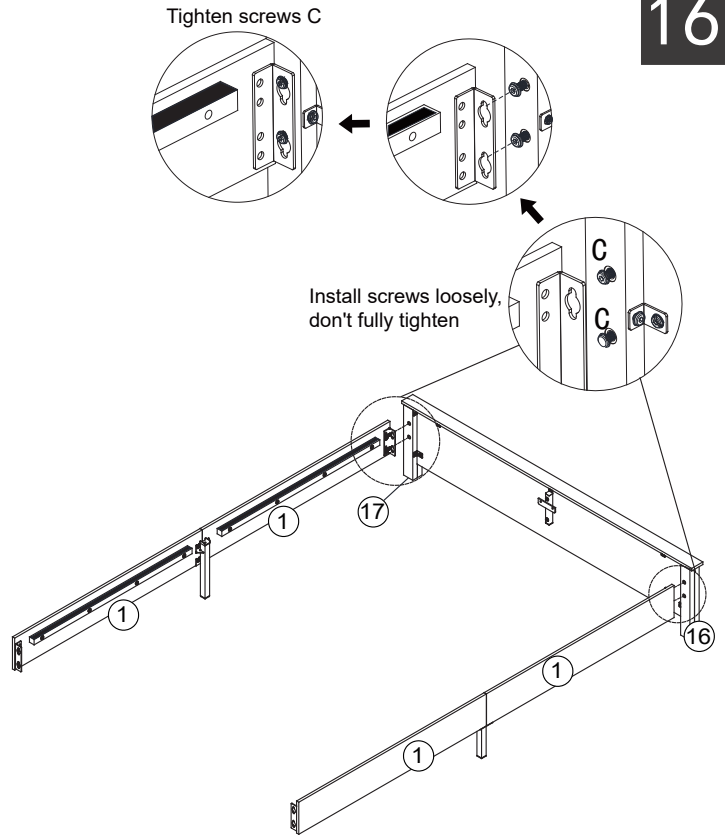
Assemble screw C first  
Note: Ensure the slot orientation matches the diagram.

15



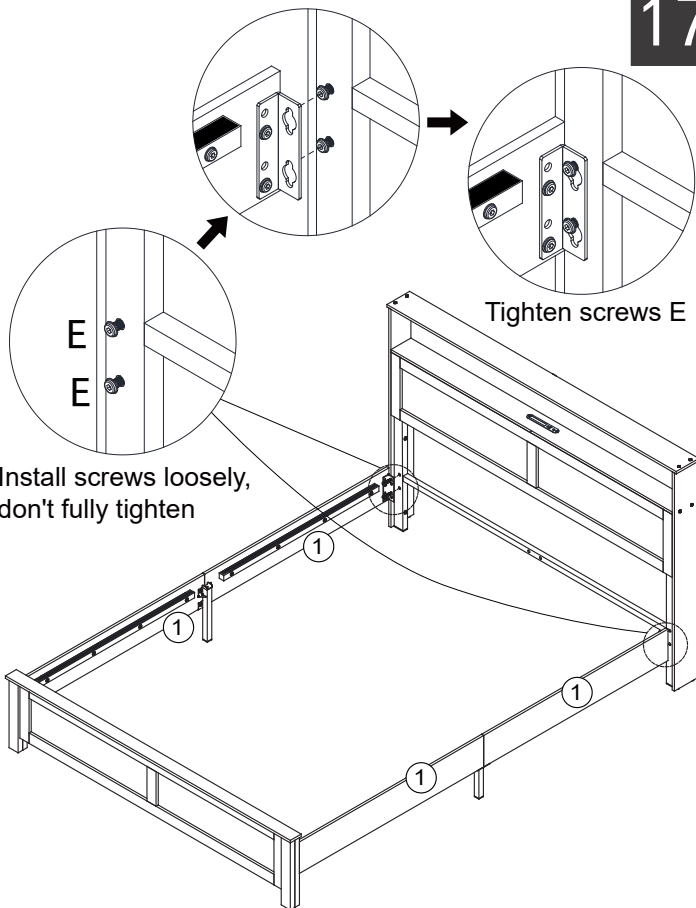
D		2pcs	white zinc
M8x30			

16



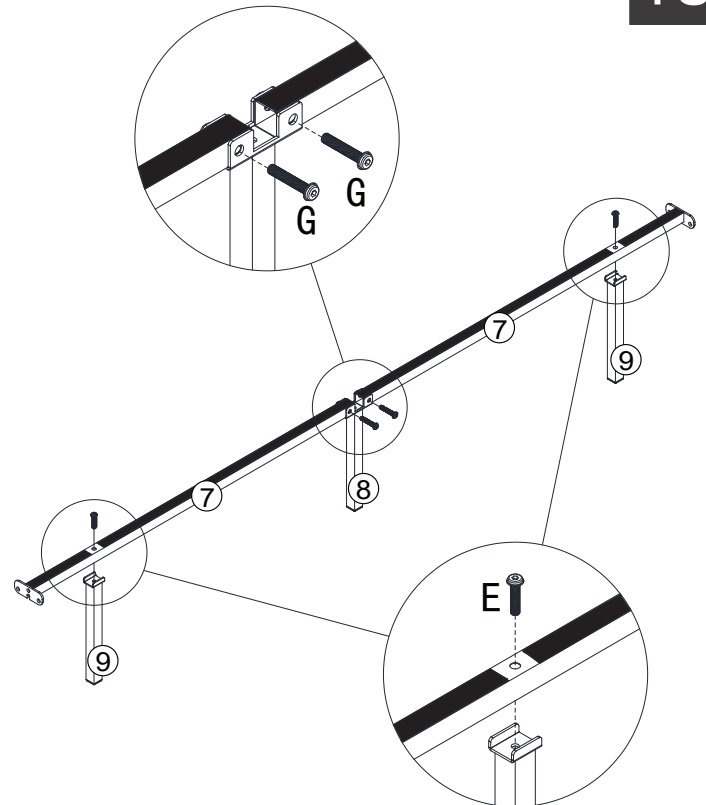
C		4pcs
M8x20		


17

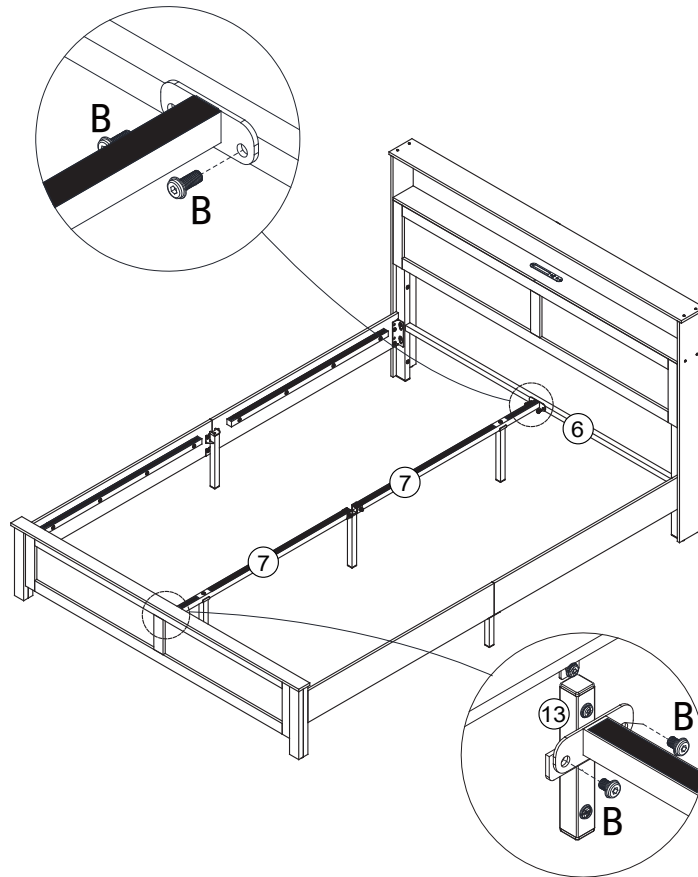



E		4pcs
M8x33		

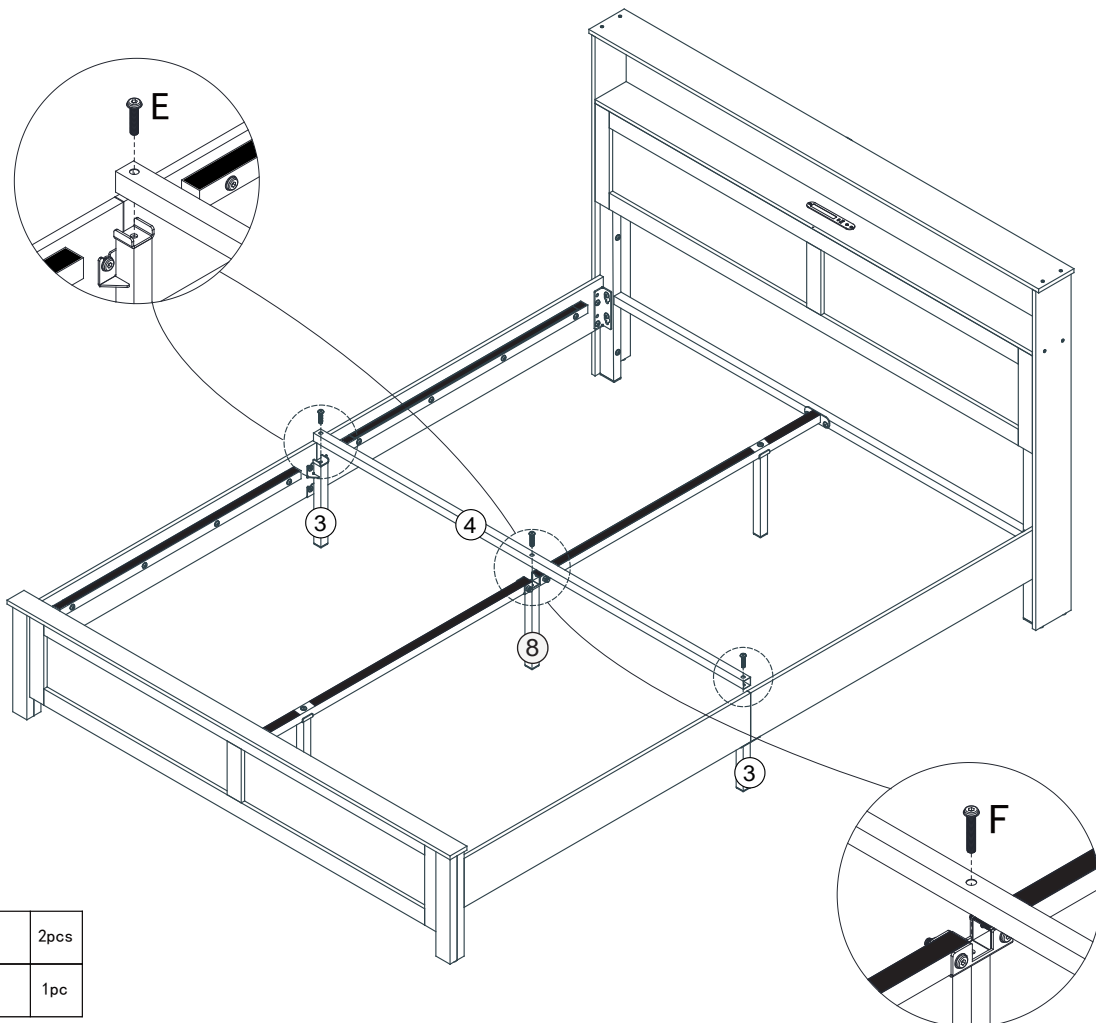
18

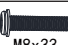



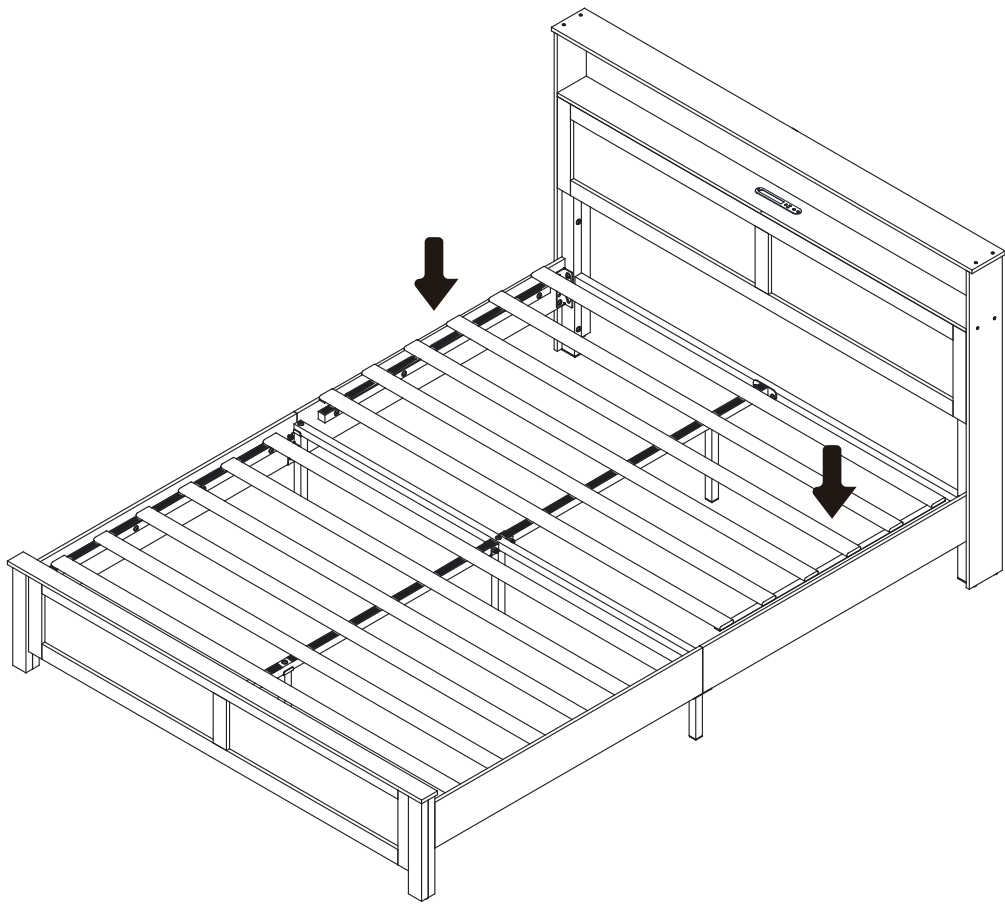
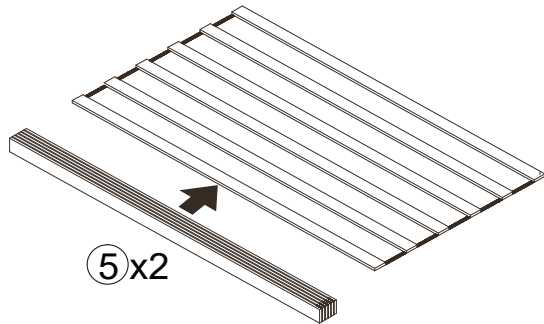
E		2pcs
M8x33		
G		2pcs
M8x45		

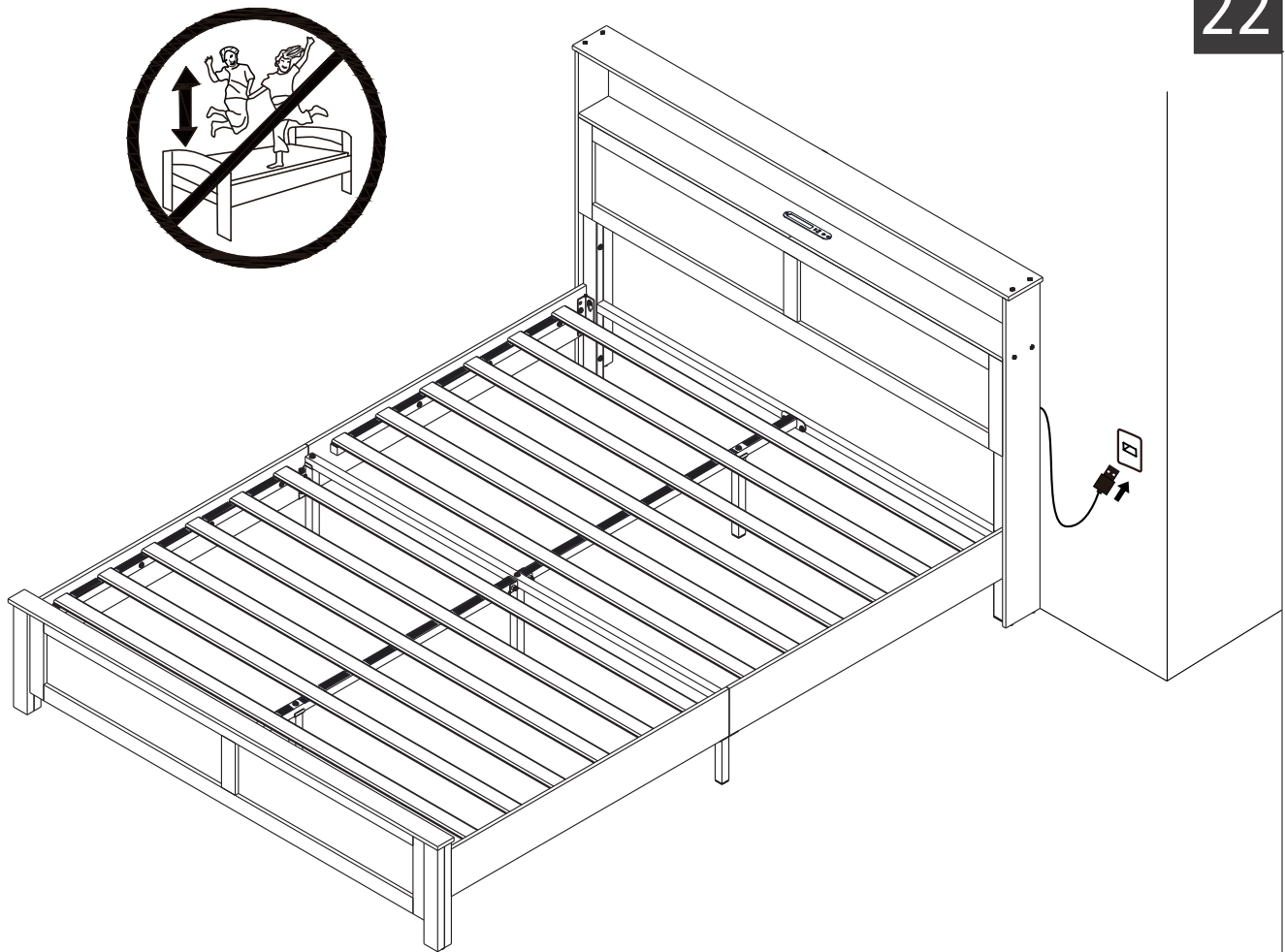


B		4pcs	white zinc
---	---	------	------------



E		2pcs
F		1pc





## ⚠ IMPORTANT USE WARNINGS ⚠

**DO NOT USE** if the frame is unstable, damaged, or if any hardware is missing or loose.

**NO JUMPING:** Do not allow children to jump on the bed. Jumping can damage the frame, cause it to collapse, and lead to serious injury.

**INSPECT REGULARLY:** Check and retighten all bolts and screws every 2-3 months, especially during initial use, as materials may settle.

**NO MODIFICATIONS:** Do not modify the frame or use non-original hardware, as this compromises safety and voids the warranty.

**PROPER SUPPORT:** Use only with a properly sized mattress and a center support system (if required for your bed size) to prevent sagging.

**KEEP AWAY FROM HEAT/FIRE.**

Installation Completed