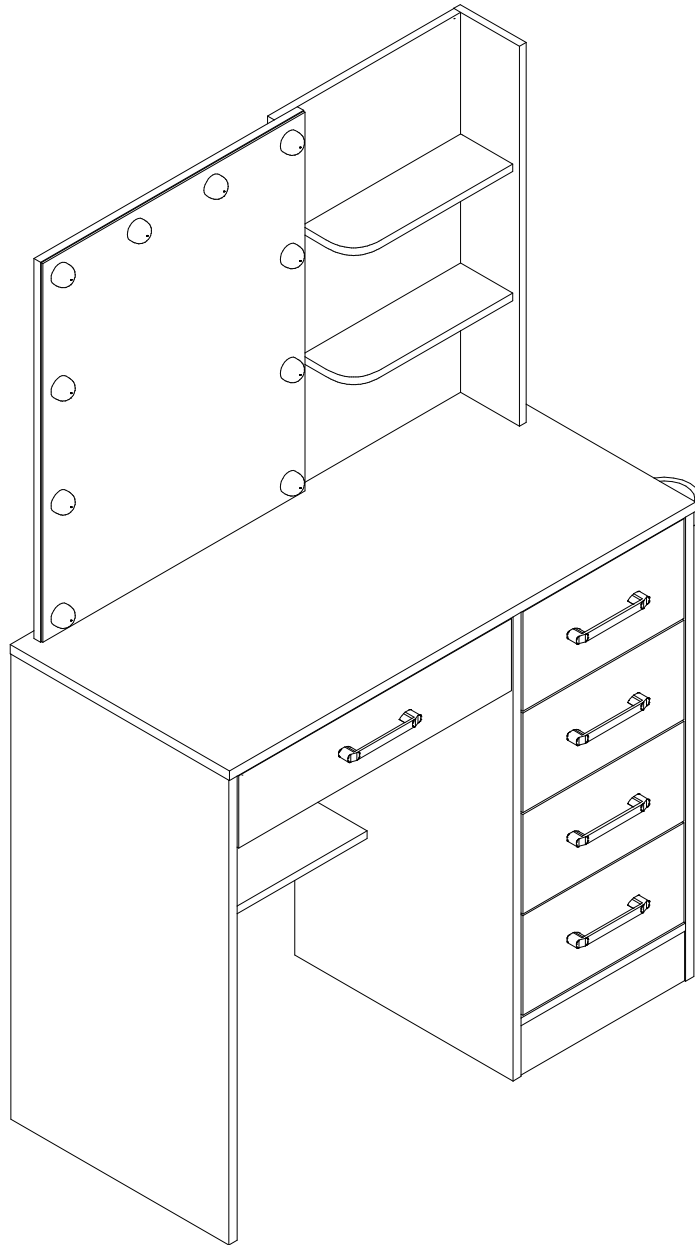


Installation Instructions





SAFETY INFORMATION

WARNING: Max load: 150 lbs tabletop, 15 lbs per drawer:

- Overloading risks instability and damage.

WARNING: To prevent serious injury or death from furniture tip-overs:

- Always anchor furniture to the wall. Anchoring is ESSENTIAL to prevent tip-overs
- Never allow children to climb, stand, or play on any furniture.
- Always supervise children around furniture.
- Keep remote controls, toys, cosmetics, and other attractive items out of reach from the top of furniture.
- Never remove wall anchors without first emptying all items from the furniture.

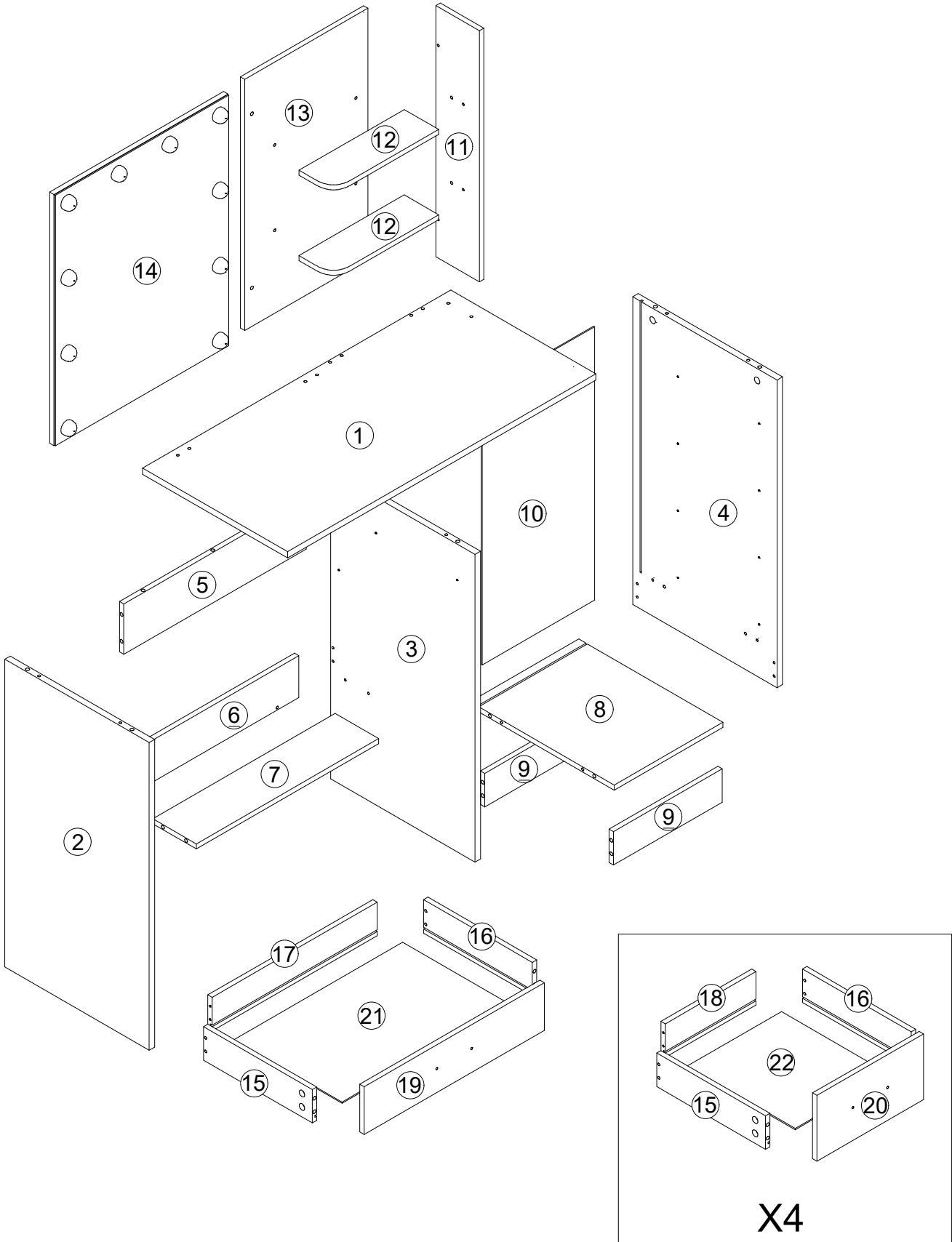
WARNING: ELECTRICAL & FRAGILE ITEM HAZARD

- Electrical Shock Risk: Do not use this lighted vanity near water (such as bathtubs, washbowls, or sinks).
- Unplug the power adapter before cleaning, replacing bulbs, or performing any maintenance.
- Fragile: Handle the mirror with care. Do not place heavy or sharp objects against the glass surface. Protect the mirror from impact during assembly.

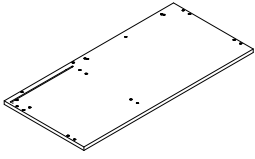
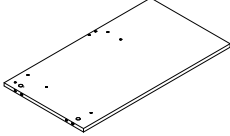
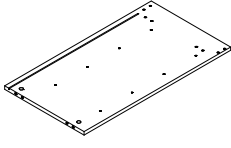
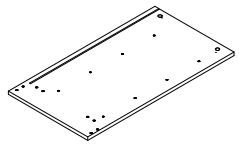
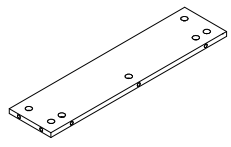
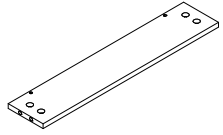
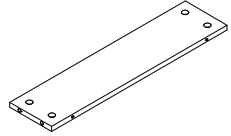
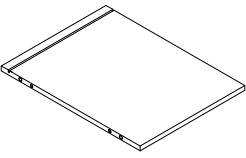
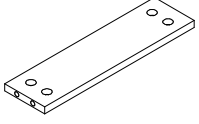
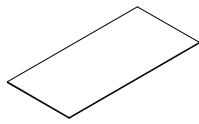
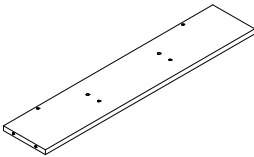
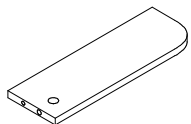
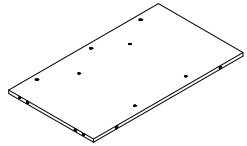
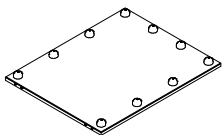
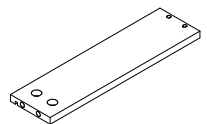
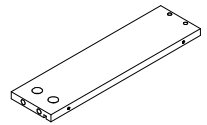
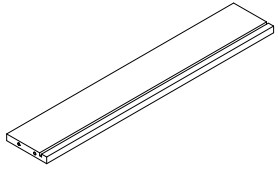
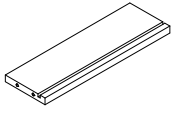
WARNING: INGESTION & CHOKING HAZARD

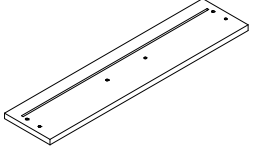
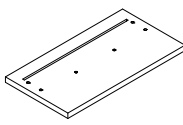
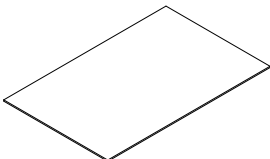
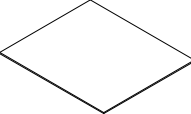
- Ingestion Hazard: This product's remote contains a button cell or coin battery.
- Death or serious injury can occur if ingested. A swallowed battery can cause Internal Chemical Burns in as little as 2 hours.
- Keep new and used batteries OUT OF REACH OF CHILDREN. Seek immediate medical attention if a battery is suspected to be swallowed.
- Choking Hazard: Contains small parts and hardware. Keep children under 3 years old away during assembly.

Exploded view

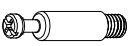

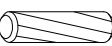

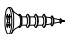

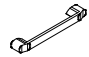
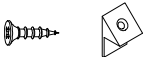
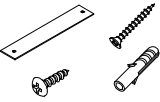


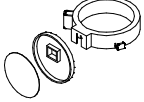


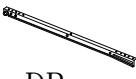




Parts List

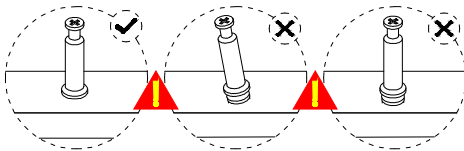
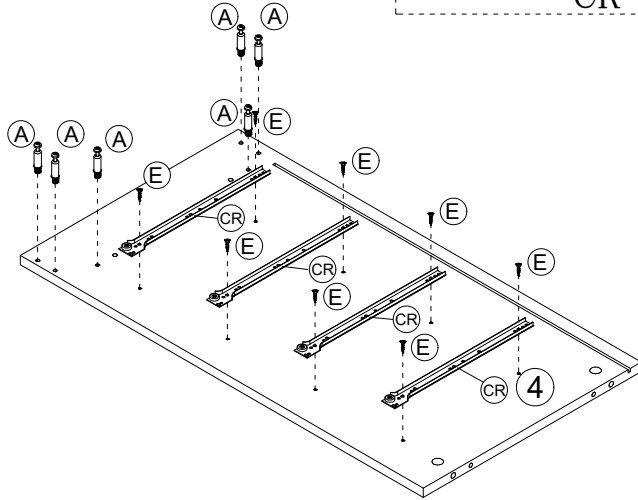
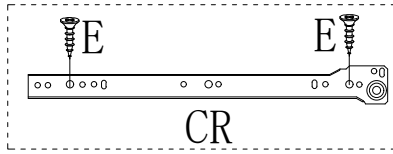
<p>①</p>  <p>1PC</p>	<p>②</p>  <p>1PC</p>	<p>③</p>  <p>1PC</p>
<p>④</p>  <p>1PC</p>	<p>⑤</p>  <p>1PC</p>	<p>⑥</p>  <p>1PC</p>
<p>⑦</p>  <p>1PC</p>	<p>⑧</p>  <p>1PC</p>	<p>⑨</p>  <p>2PCS</p>
<p>⑩</p>  <p>1PC</p>	<p>⑪</p>  <p>1PC</p>	<p>⑫</p>  <p>2PCS</p>
<p>⑬</p>  <p>1PC</p>	<p>⑭</p>  <p>1PC</p>	<p>⑮</p>  <p>5PCS</p>
<p>⑯</p>  <p>5PCS</p>	<p>⑰</p>  <p>1PC</p>	<p>⑱</p>  <p>4PCS</p>

<p>19</p>  <p>1PC</p>	<p>20</p>  <p>4PCS</p>	<p>21</p>  <p>1PC</p>
<p>22</p>  <p>4PCS</p>		

Hardware List

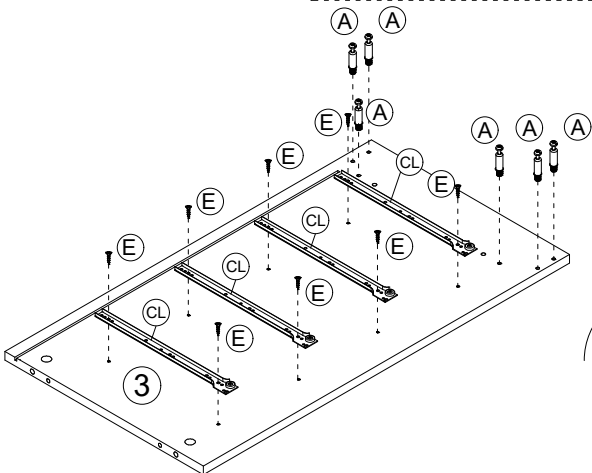
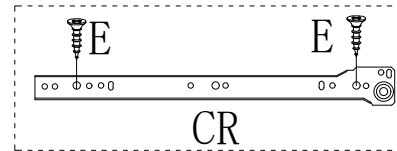
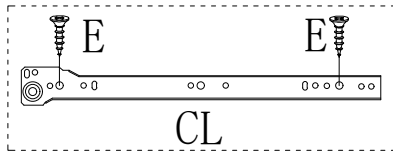
A	X59	B	X59	C	X16	D	X30	E	X40	F	X10
											
Ø6*35mm		Ø15*9.5mm		Ø6*30mm		Ø5*40mm		Ø3.5*12mm		M4*16mm	
G	X5	H	X4	I	X1	J	X1	K	X6	L	X1
											
		Ø3*16mm		Ø4*12&Ø6*30&Ø4*35mm		S4					
M	X3	CR	X5	DR	X5	CL	X5	DL	X5		
		 CR		 DR		 CL		 DL			
M6*20mm		300mm		300mm		300mm		300mm			

Step 1

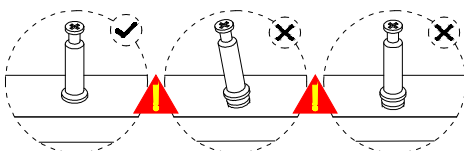
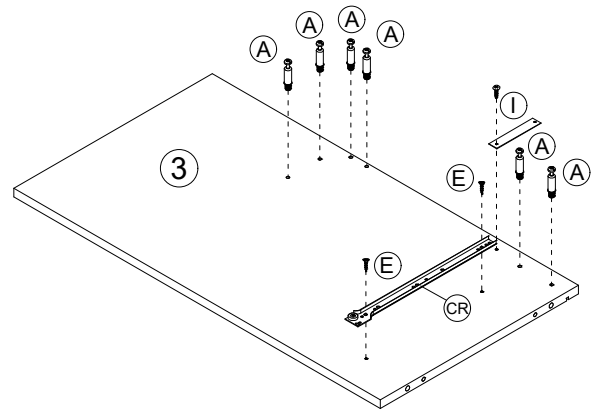


CR	X4	E	X8	A	X6
300mm		Ø3.5*12mm		Ø6*35mm	

Step 2

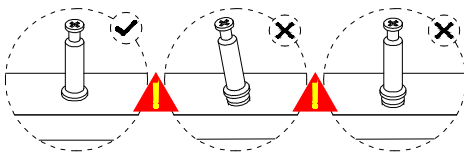
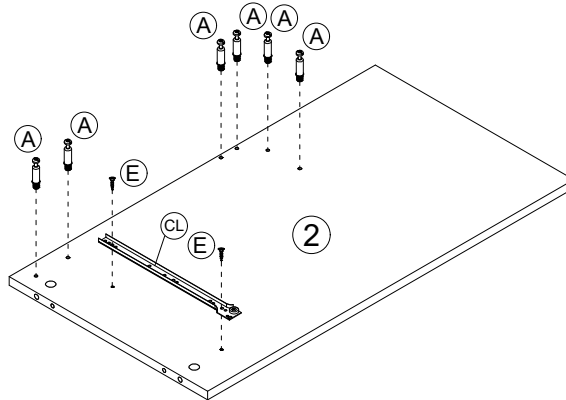
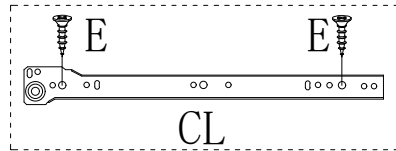


180°



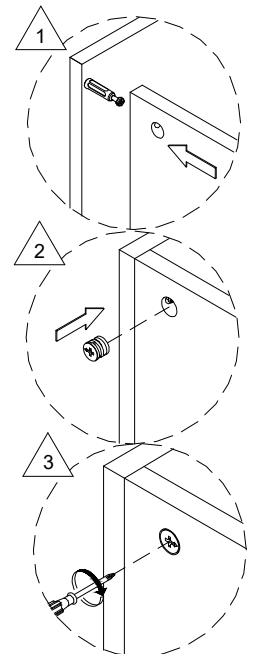
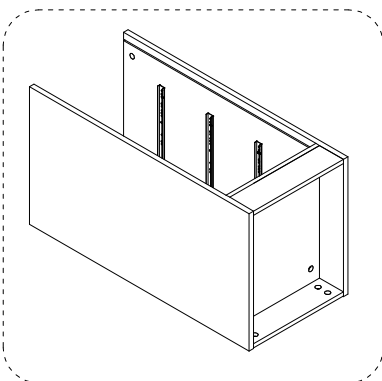
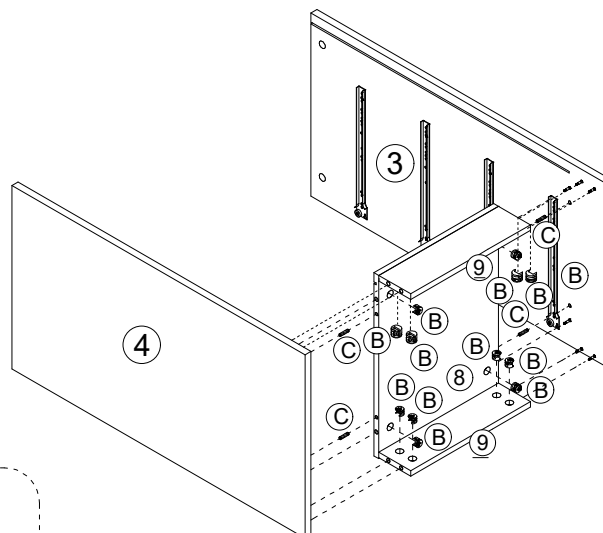
①	X1	CR	X1	CL	X4	E	X10	A	X12
Ø4*12mm		300mm		300mm		Ø3.5*12mm		Ø6*35mm	

Step3



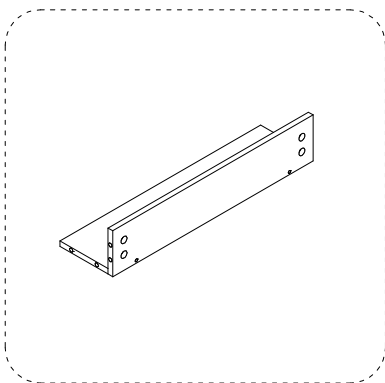
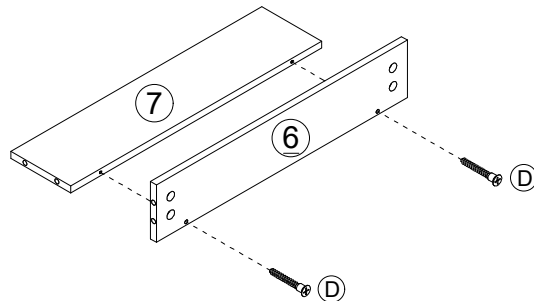
CL	X1	(E)	X2	(A)	X6
300mm		Ø3.5*12mm		Ø6*35mm	

Step4



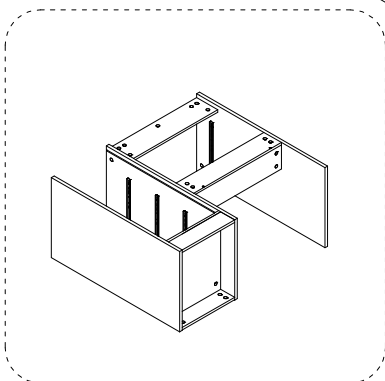
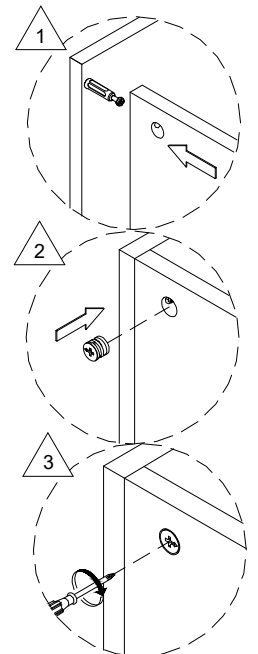
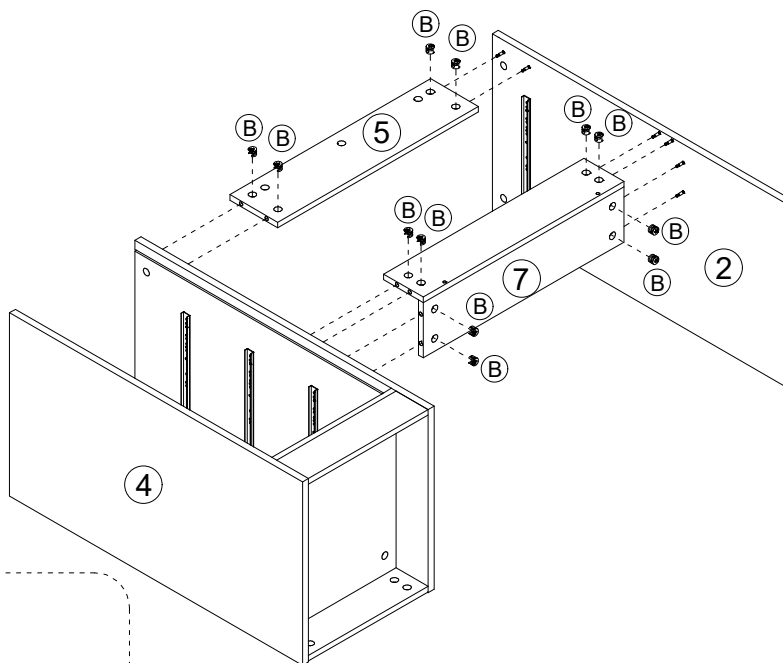
(C)	X4	(B)	X12
Ø6*30mm		Ø15*9.5mm	

Step 5



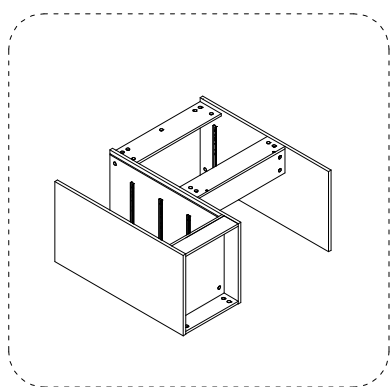
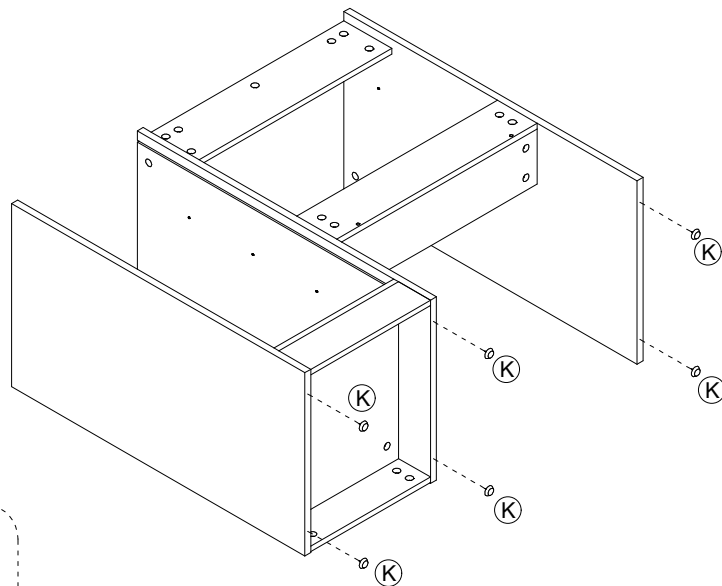
D	X2
Ø5*40mm	


Step 6



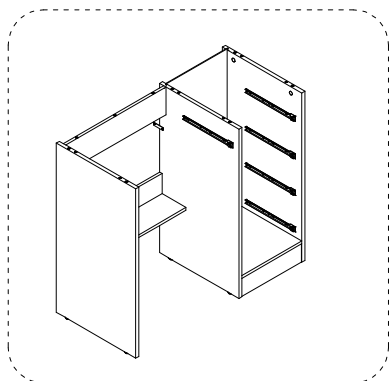
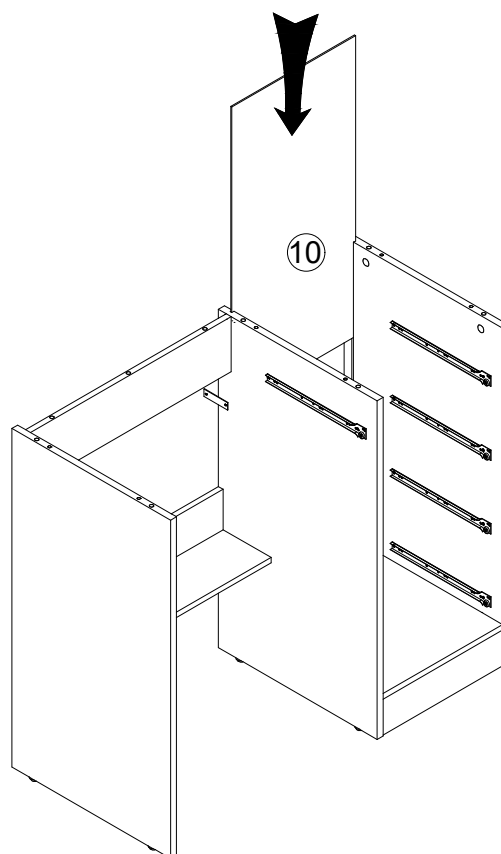
B	X12
Ø15*9.5mm	

Step 7

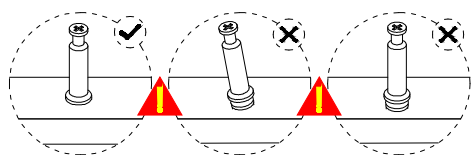
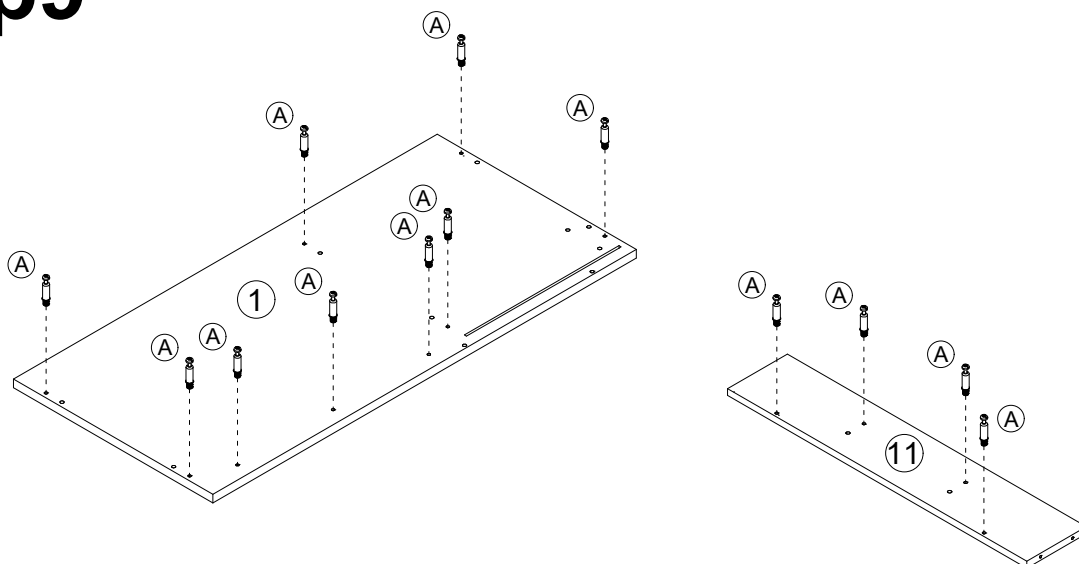


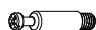
(K)	X6
	

Step 8

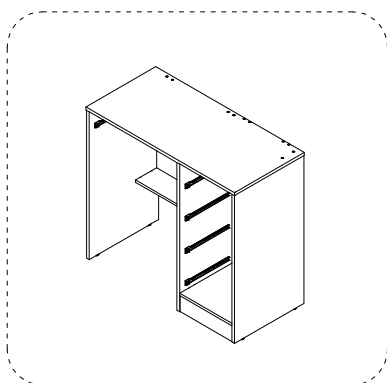
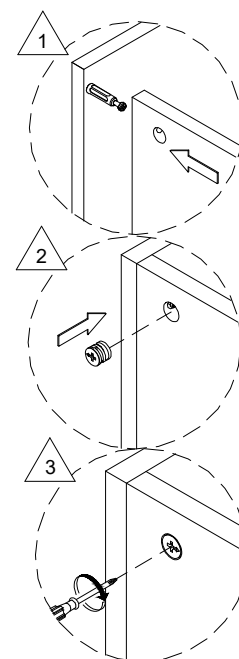
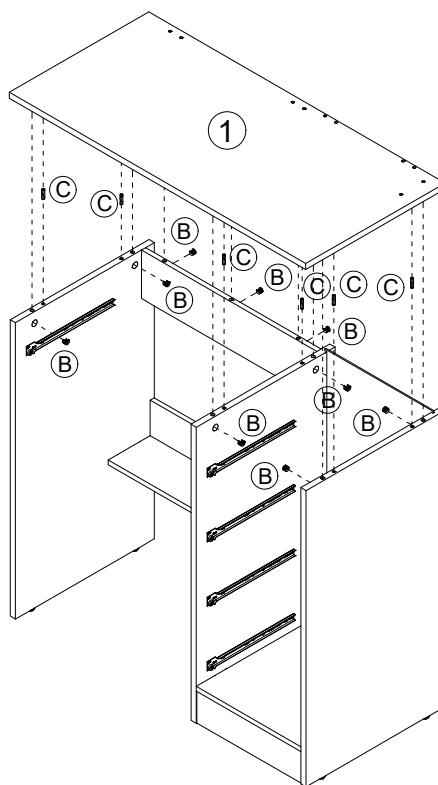


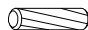

Step 9



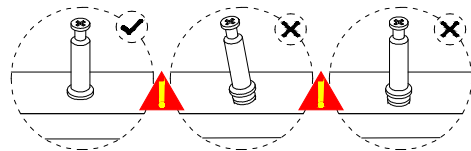
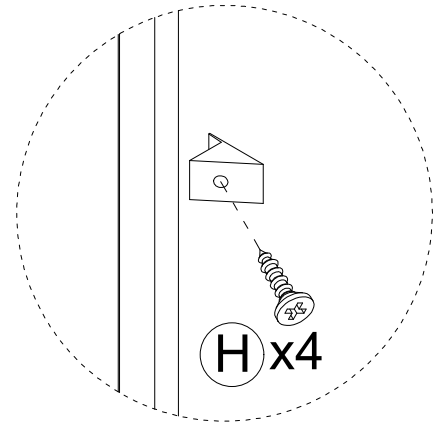
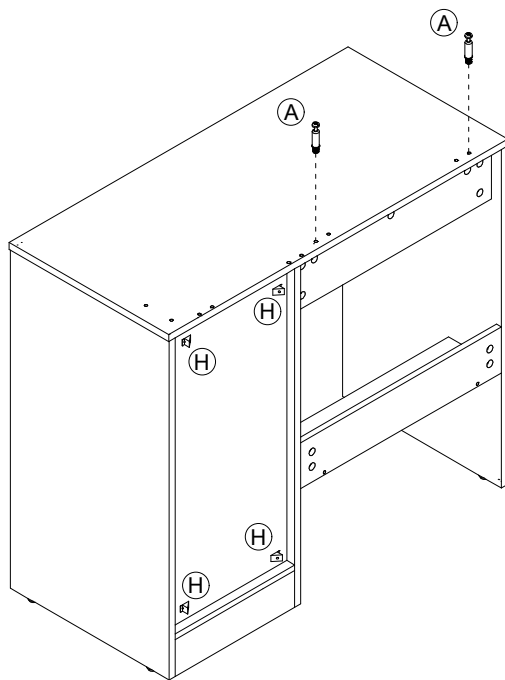
(A)	X13
	
Ø6*35mm	

Step 10



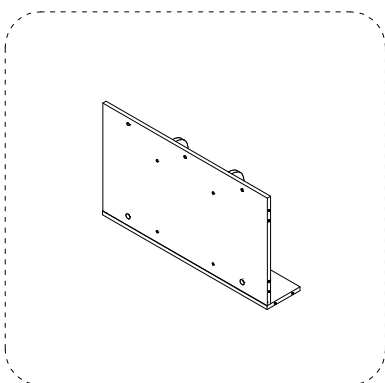
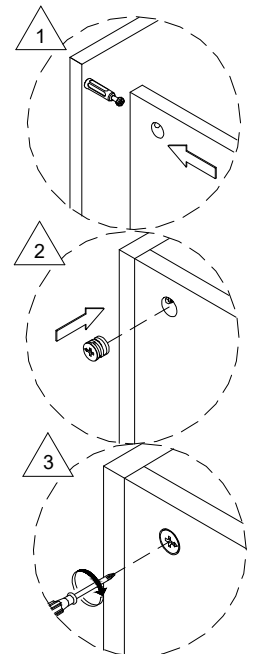
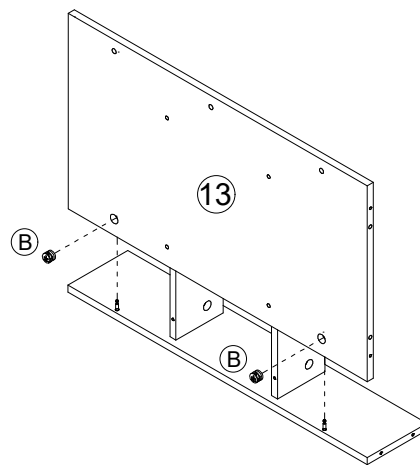
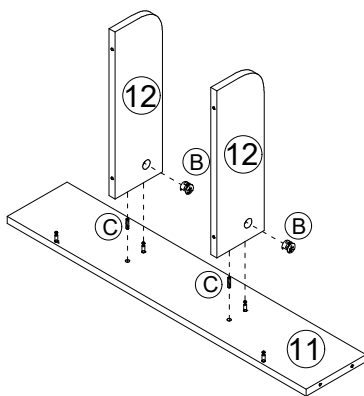
(C)	X6	(B)	X9
			
Ø6*30mm		Ø15*9.5mm	

Step 11



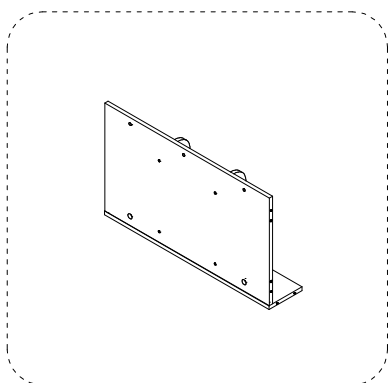
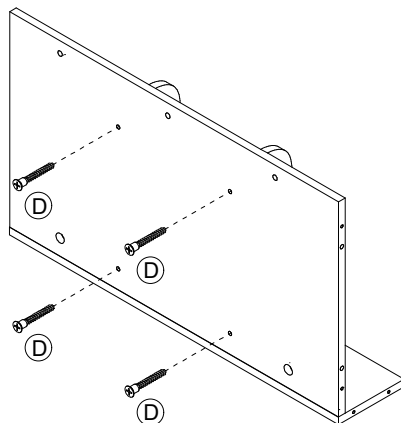
(A)	X2	(H)	X4
Ø6*35mm		Ø3*16mm	


Step 12



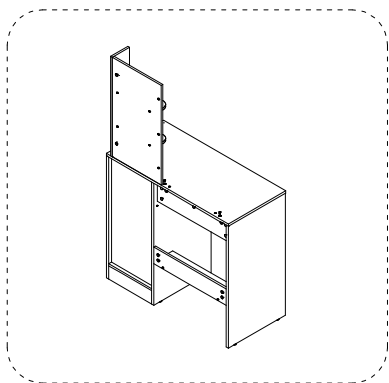
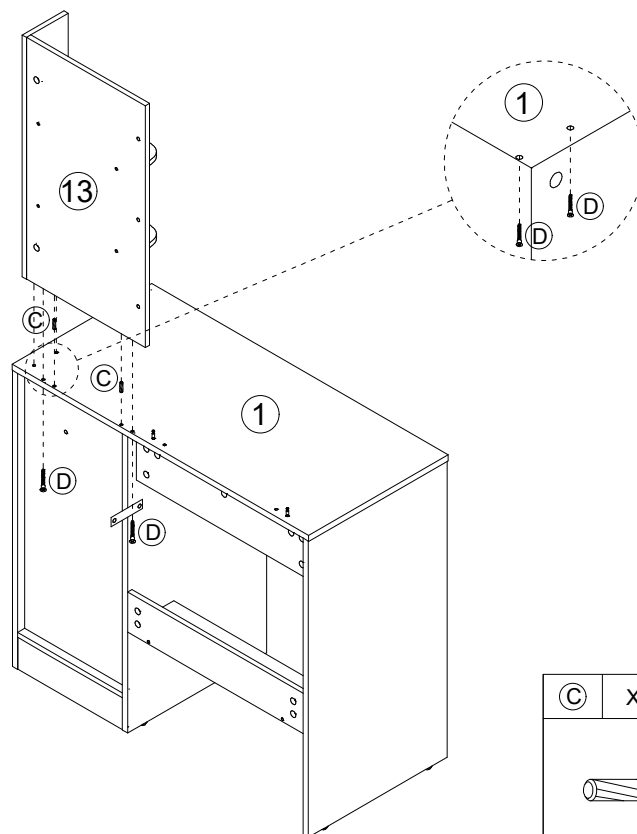
(C)	X2	(B)	X4
Ø6*30mm		Ø15*9.5mm	

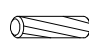

Step13



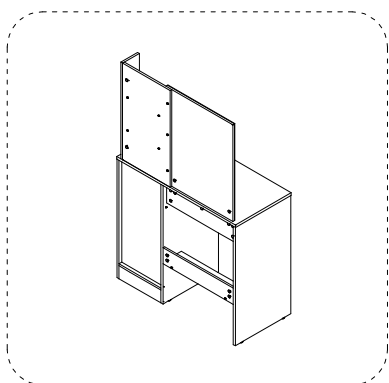
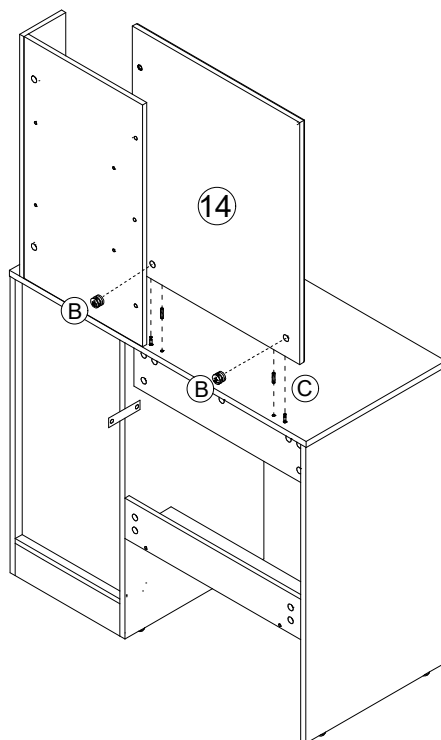
D	X4
	
$\varnothing 5 \times 40 \text{mm}$	



Step14



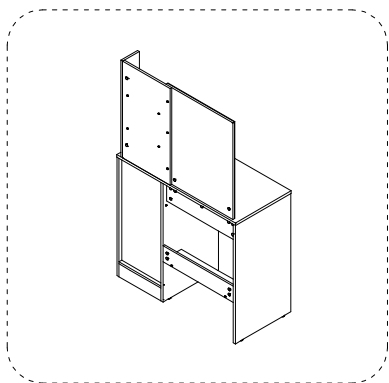
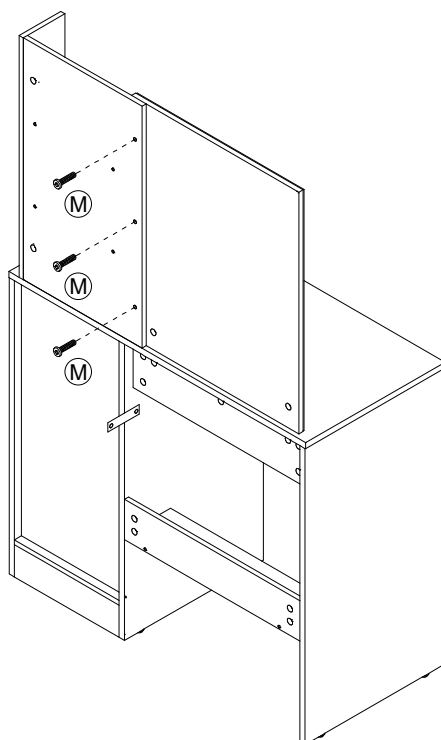
C	X2	D	X4
			
$\varnothing 6 \times 30 \text{mm}$		$\varnothing 5 \times 40 \text{mm}$	


Step15



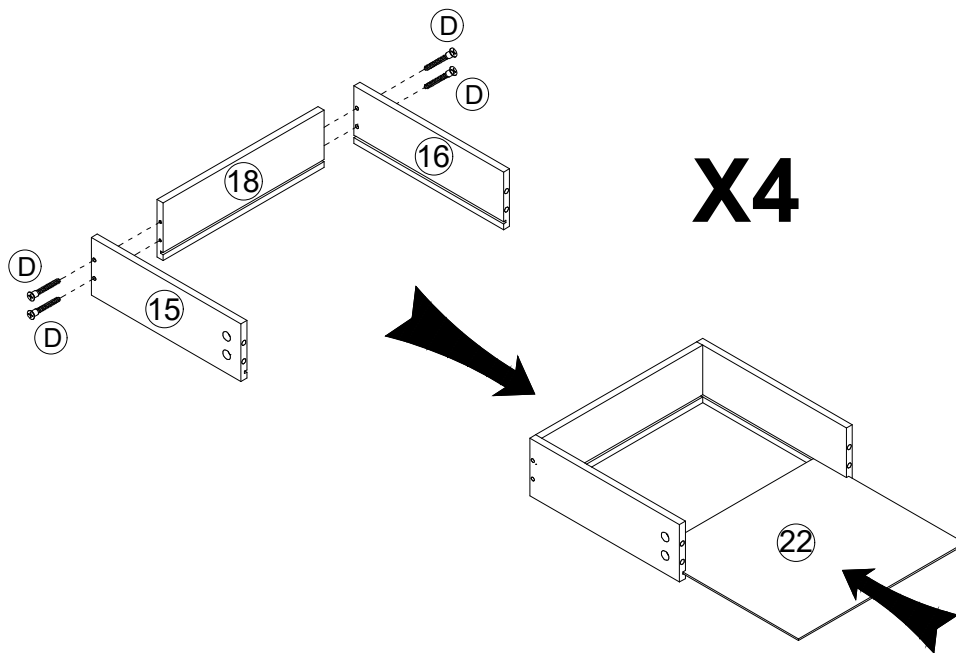
C	X2	B	X2
			
Ø6*30mm		Ø15*9.5mm	

Step16




M	X3
	
M6*20mm	

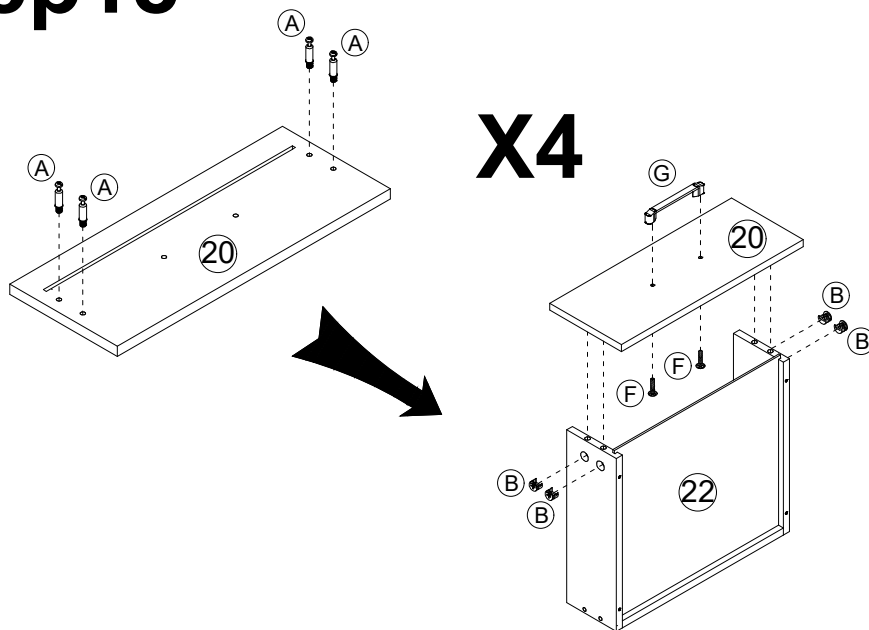
Step17



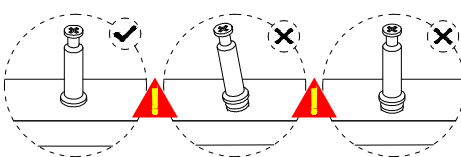
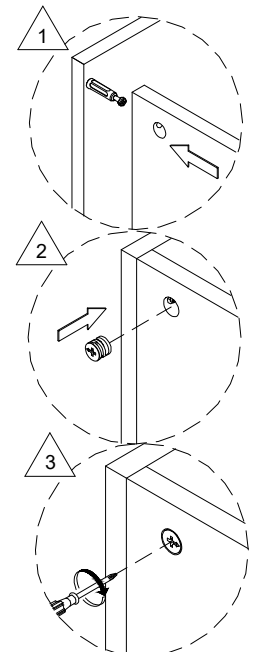
X4




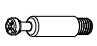
(D)	X16
	
Ø5*40mm	

Step18

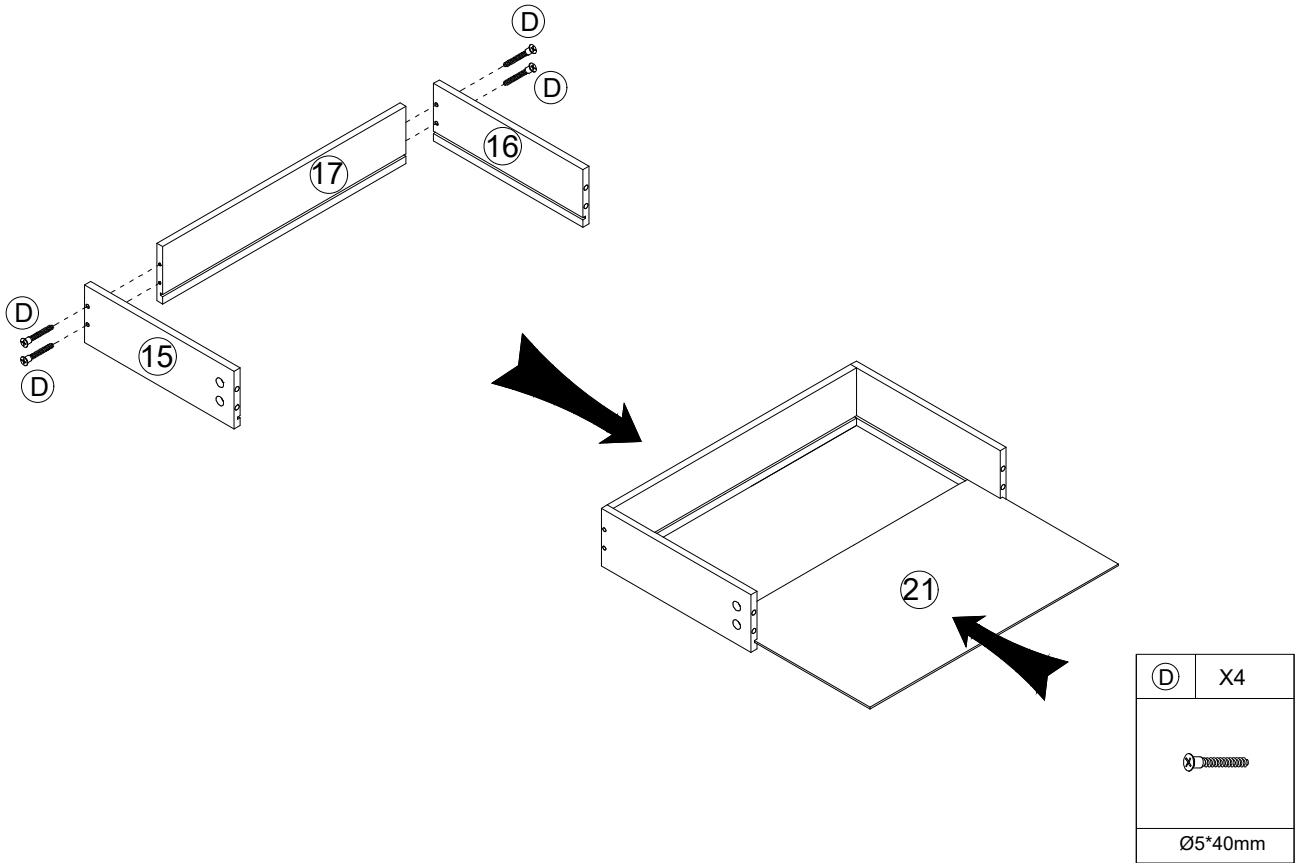


X4

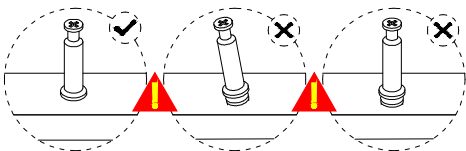
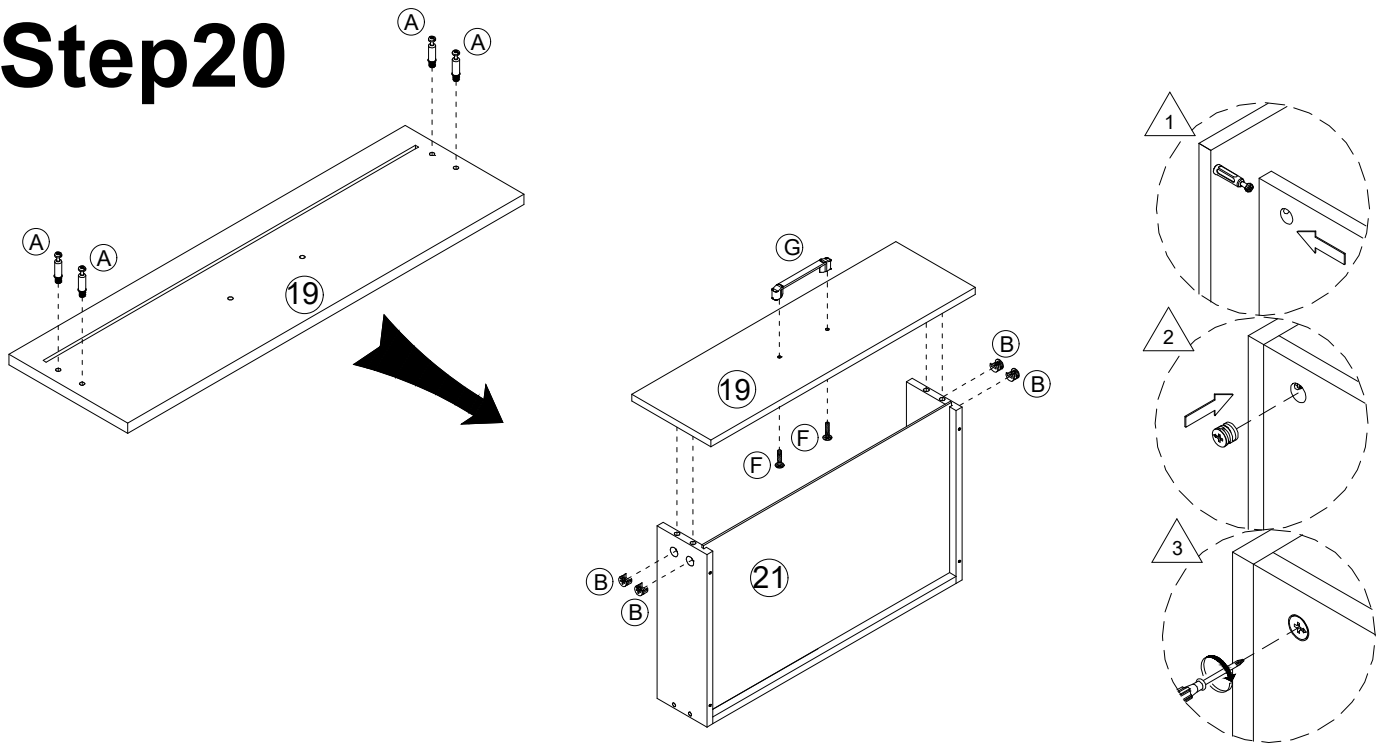





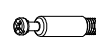
(G)	X4	(F)	X8	(B)	X16	(A)	X16
							
		M4*16mm		Ø15*9.5mm		Ø6*35mm	

Step19

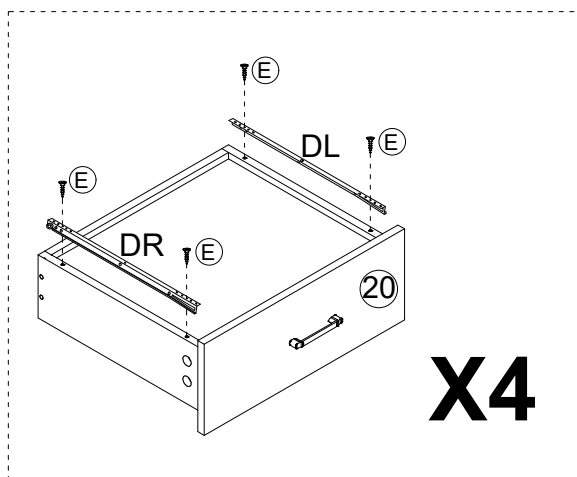
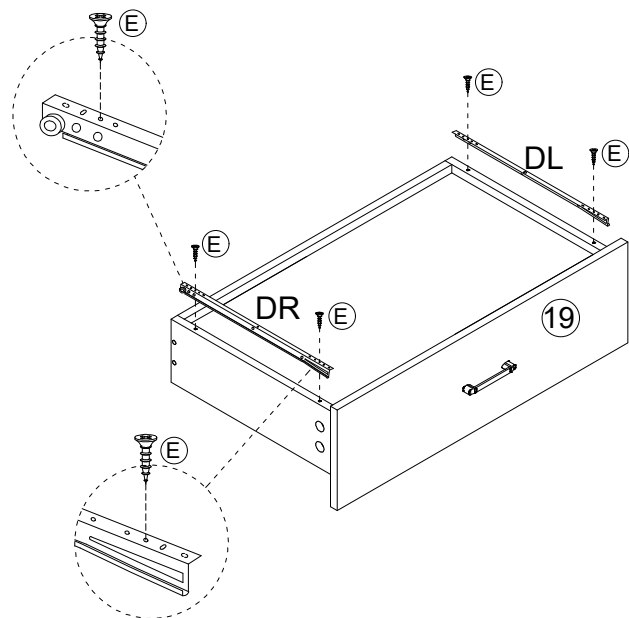


Step20



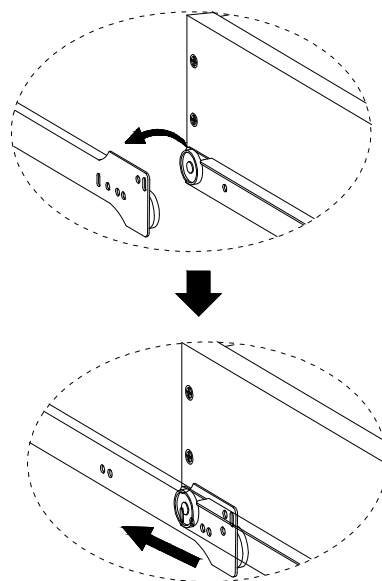
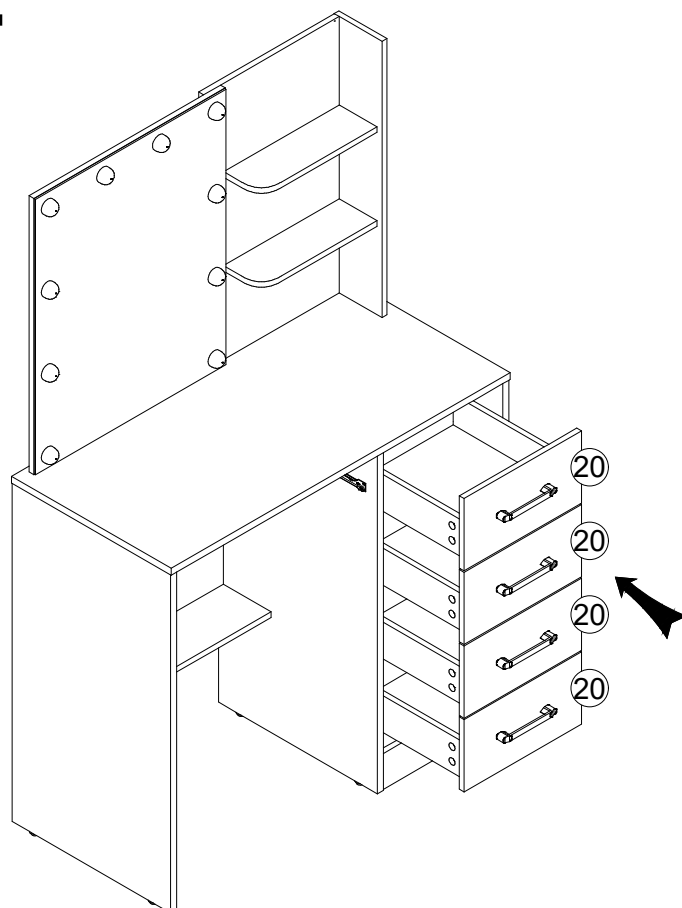
(G)	X1	(F)	X2	(B)	X4	(A)	X4
							
		M4*16mm		Ø15*9.5mm		Ø6*35mm	

Step21

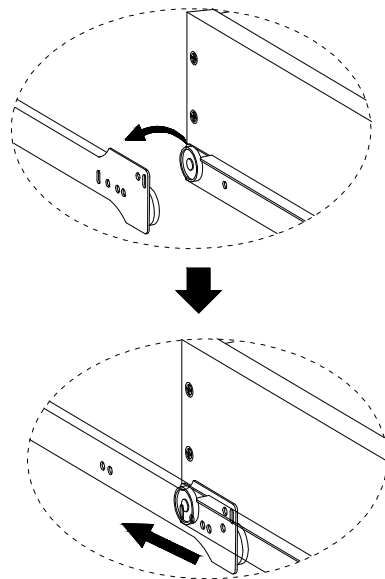
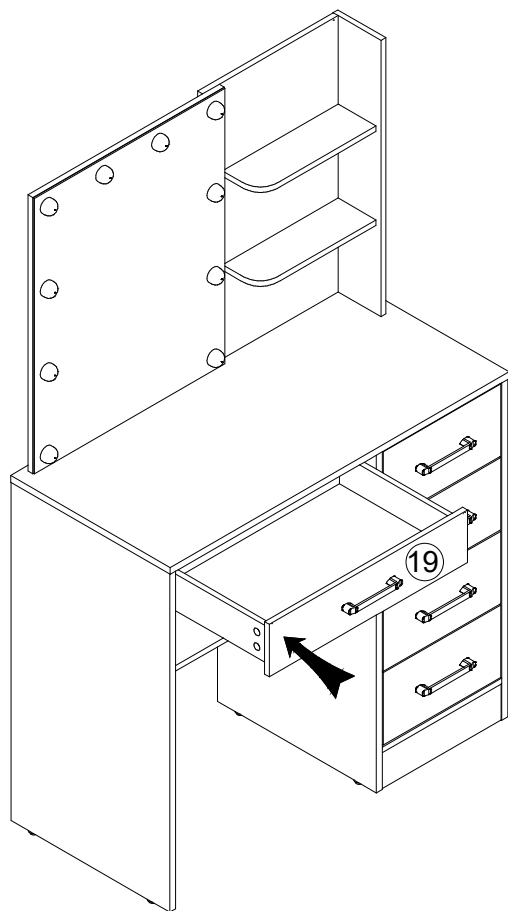


DR	X5	DL	X5	(E)	X20
300mm		300mm		Ø3.5*12mm	

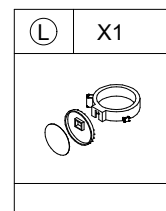
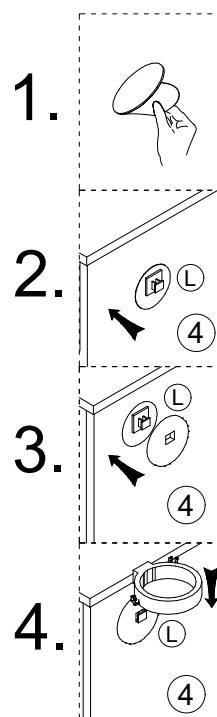
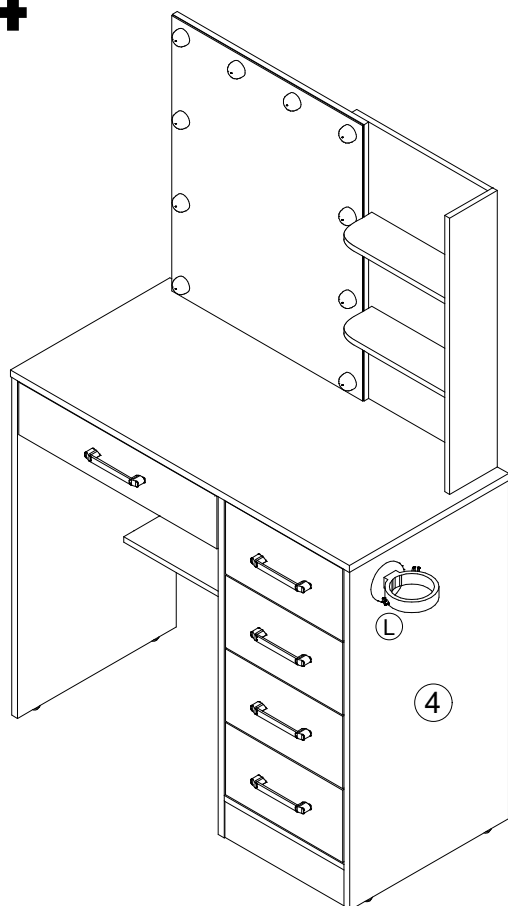
Step22



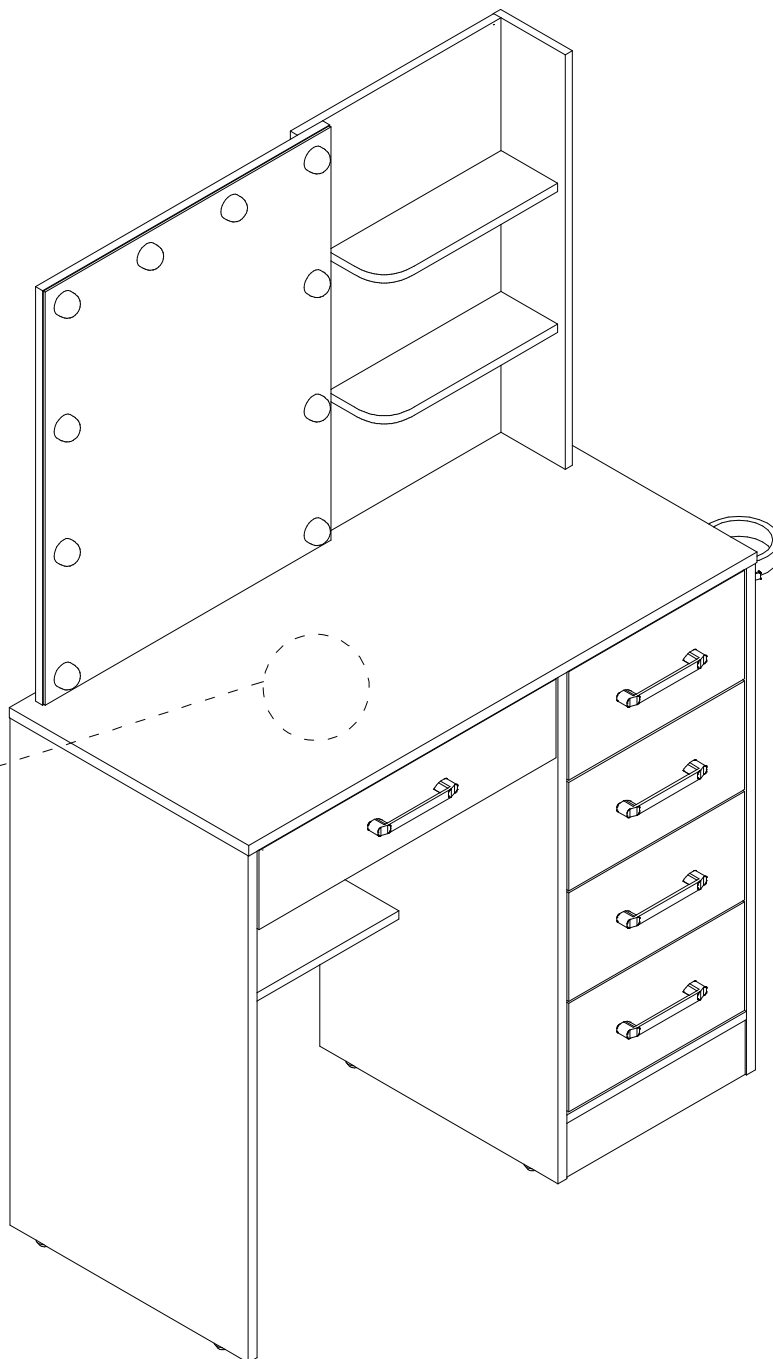
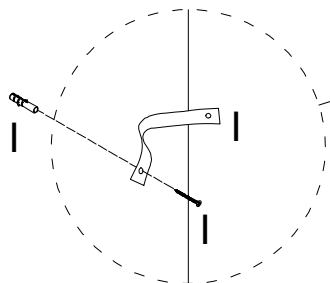
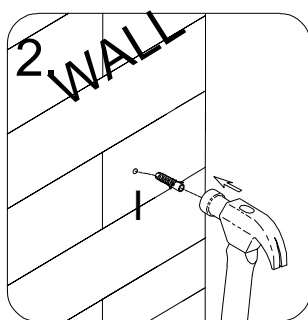
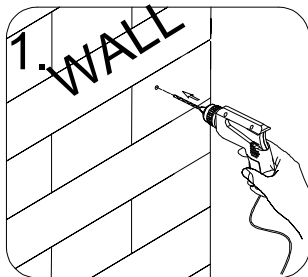
Step 23



Step 24

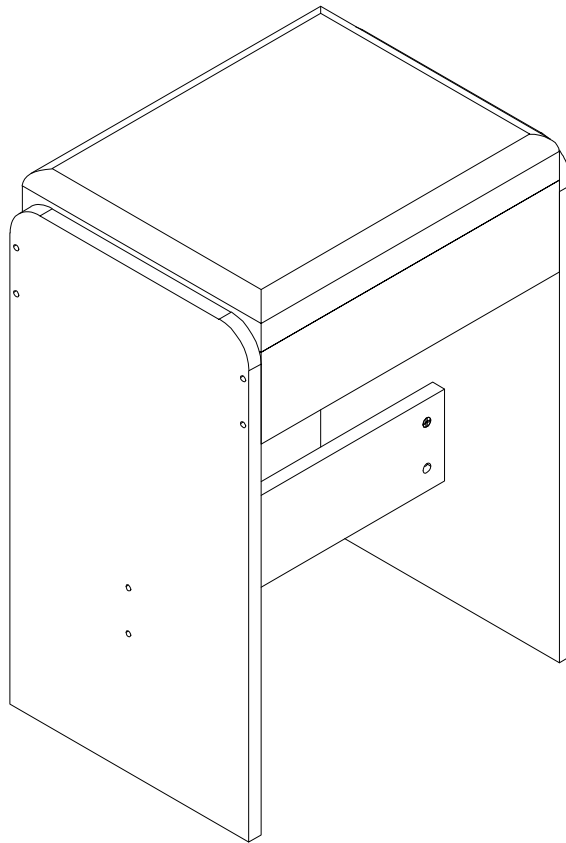


Step 25

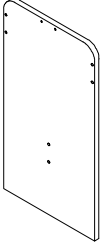
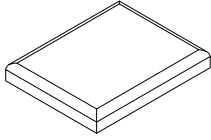
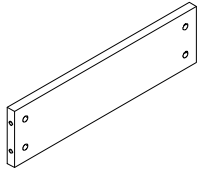




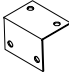
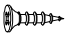

①	X1
Ø6*30&Ø4*35mm	

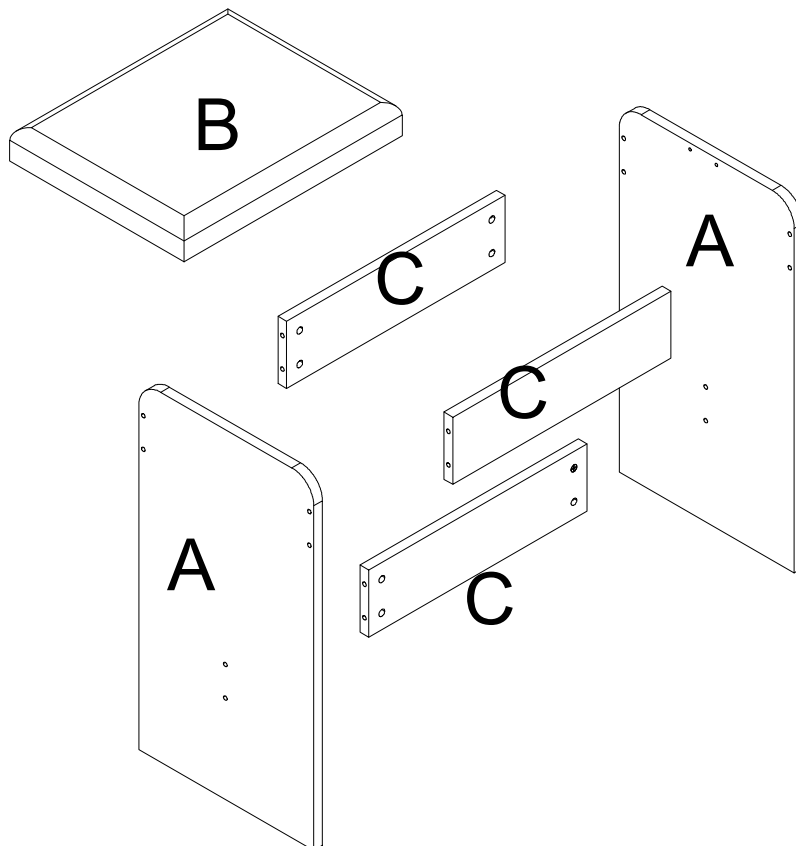
Installation Instructions



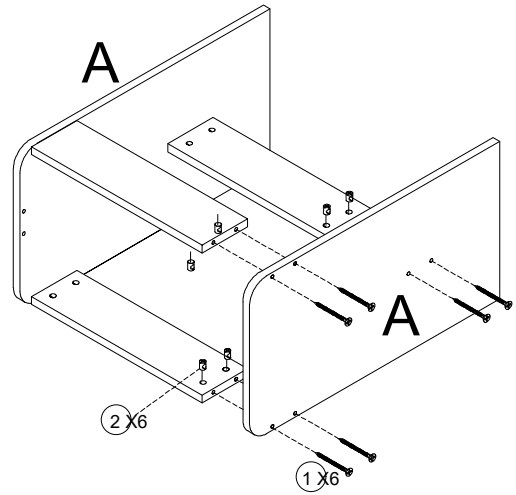
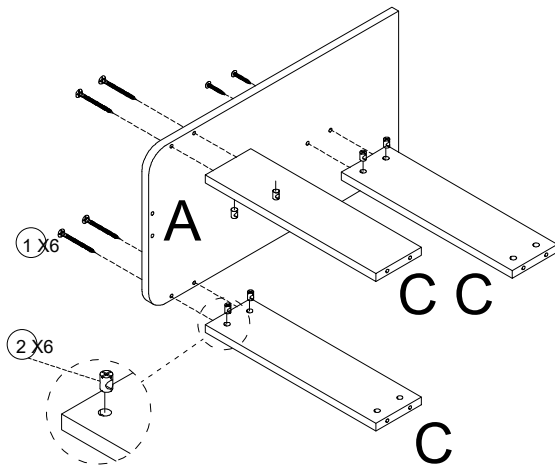
Parts List



<p>A</p>  <p>2PCS</p>	<p>B</p>  <p>1PC</p>	<p>C</p>  <p>3PCS</p>
---	--	---

①	X12	②	X12	③	X2	④	X8	⑤	X27
									Cover Caps
Ø4*45mm					Ø3.5*12mm				

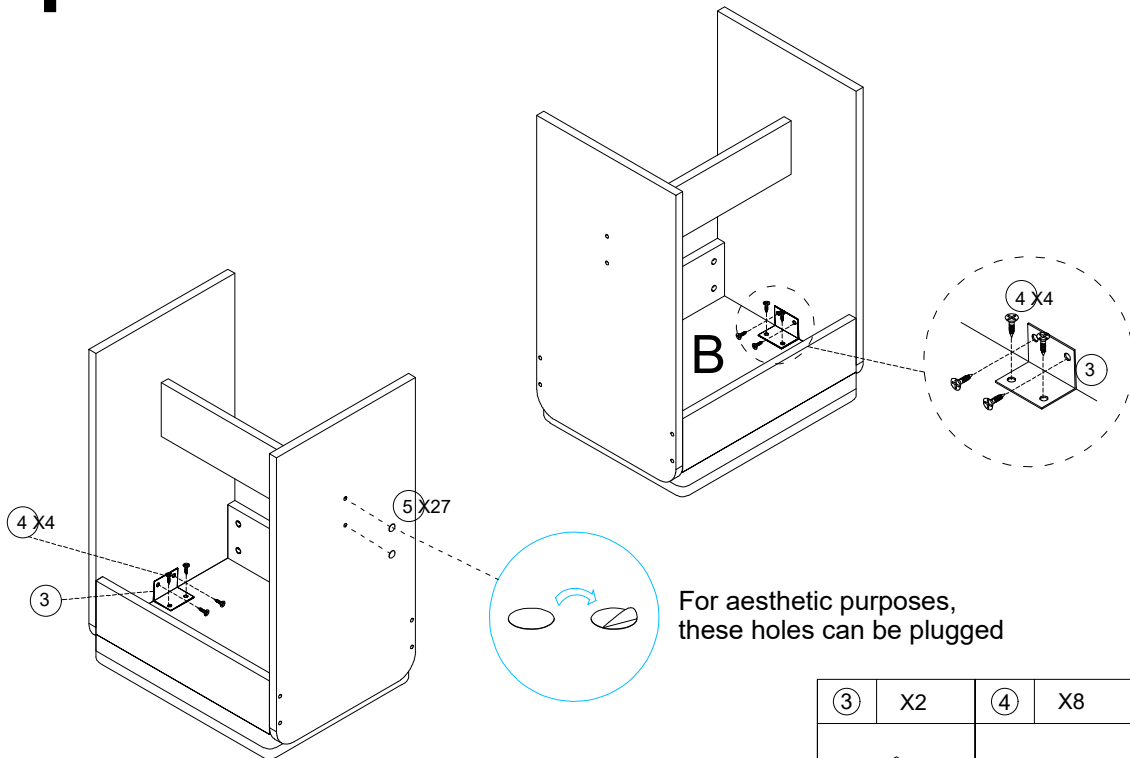


Step1






①	X12	②	X12
			
Ø4*45mm			

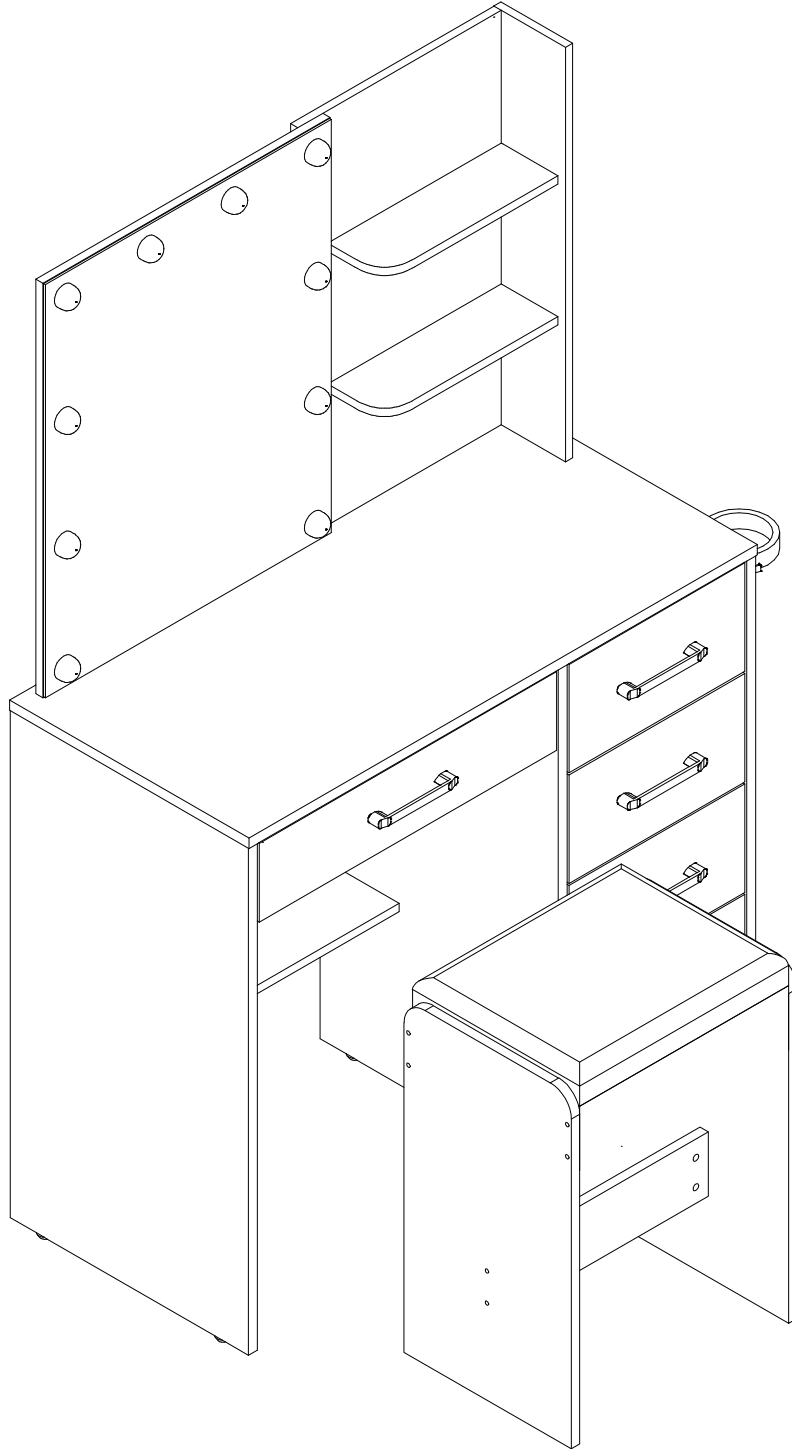
Step2



For aesthetic purposes,
these holes can be plugged

③	X2	④	X8	⑤	X27
					
Ø3.5*12mm				Cover Caps	

Installation Completed



MAINTENANCE

- Wipe the surface with a soft, damp cloth and dry immediately.
 - Avoid using chemical cleaners, solvents, or abrasive pads that could damage the finish.
 - Do not place hot, wet, or heavy items directly on the surface.
 - Keep the furniture away from direct sunlight and excessive humidity to prevent warping or discoloration.
 - Check and tighten all screws periodically to maintain stability.
-

Warranty & Support

Limited Warranty

This product is backed by a limited warranty that covers manufacturing defects under normal household use.

Customer Service

If you have received a damaged product or are missing parts, please contact us directly for assistance. Do not return the product to the store.

When contacting us, please provide the following information:

- Order number or proof of purchase
- Clear photos showing the issue or damaged parts
- Product model number (as listed in this manual)

 Email: info@serviceprohelp.com

We will respond promptly with instructions for replacement parts or other solutions.

Thank you for choosing our product. Enjoy your new furniture!

Product name: Vanity

Manufacturer: U1254

Manufacturer Address: Zhangzhou,Fujian,China

Made in China