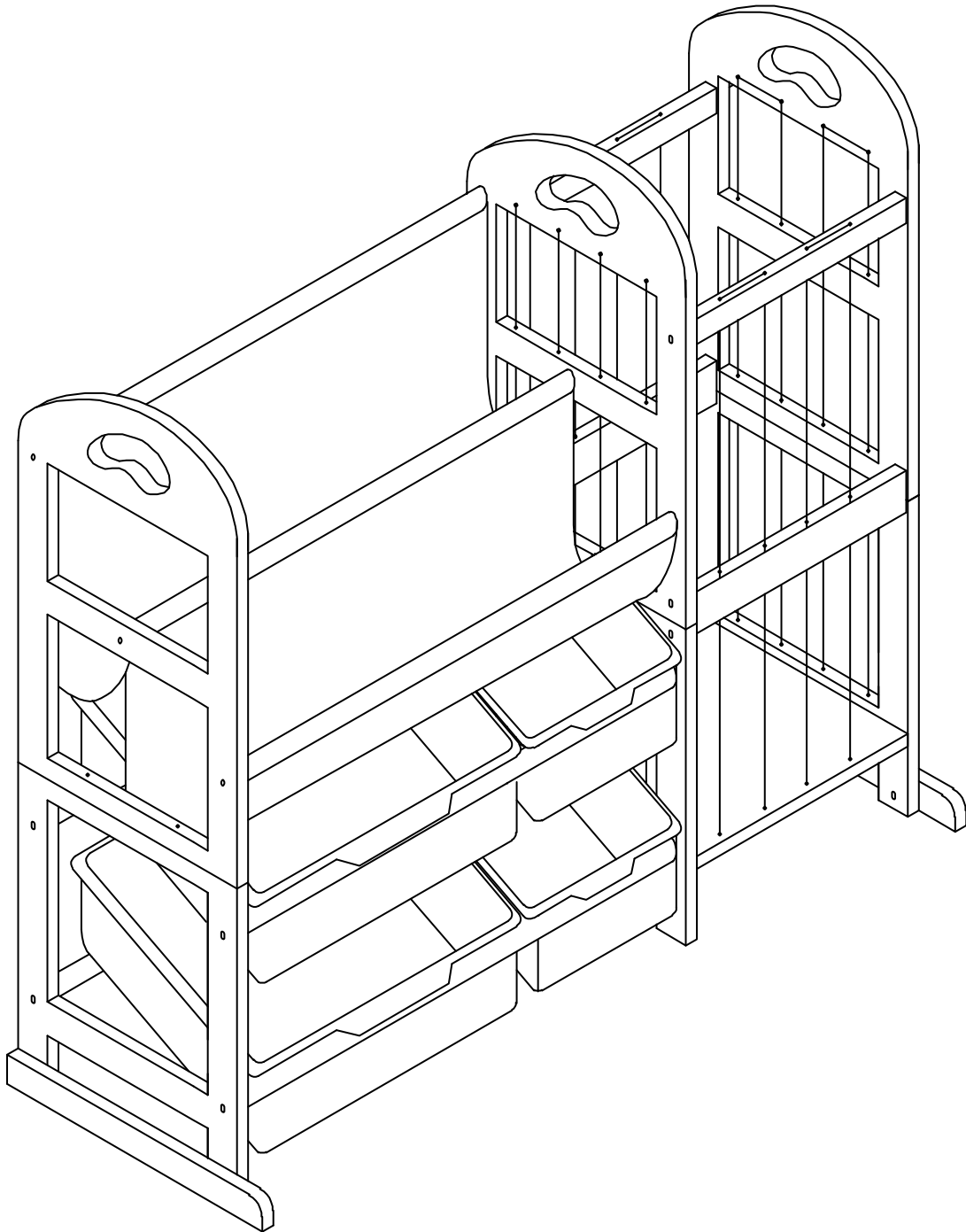


Model : FEUCG001NL



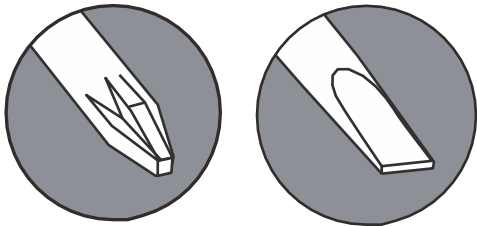
[info@serviceprohelp.com](mailto:info@serviceprohelp.com)



# SAFE INFORMATION

**WARNING: To prevent serious injury or death from furniture tip-overs.**

- **NEVER** allow children to climb, stand, or play on any furniture.
- **ALWAYS** supervise children around furniture.
- **KEEP** remote controls, toys, and other attractive items out of reach from the tops of furniture.



TOOLS REQUIRED



Two people are required for assembly.



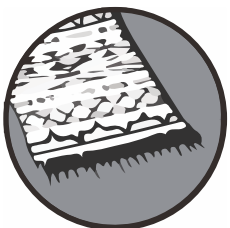
Move this piece of furniture gently with two people.



Read this assembly manual carefully, and verify that you have all the parts listed before you begin.  
Keep your assembly manual for future reference.



Do not place very hot/cold objects on top of any surface. Always use a coaster or mat. Never leave liquids on the surface. Clean immediately with a mild soap and a damp cloth. Never use scouring powder based cleanser.



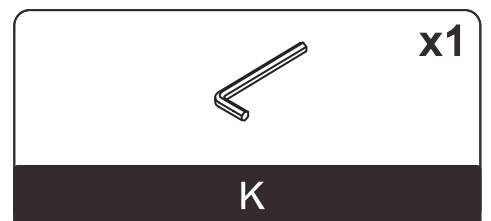
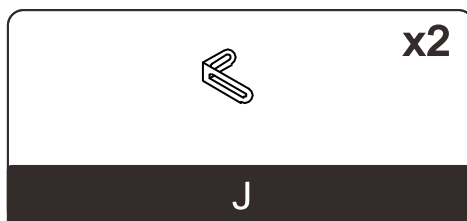
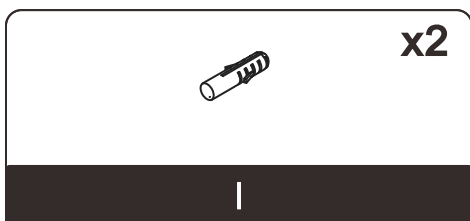
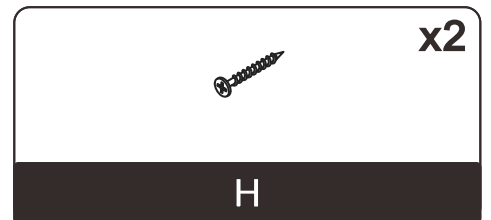
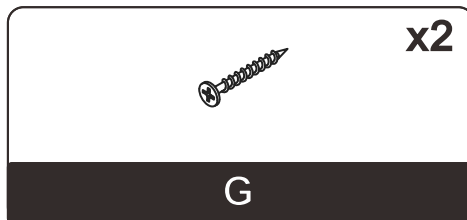
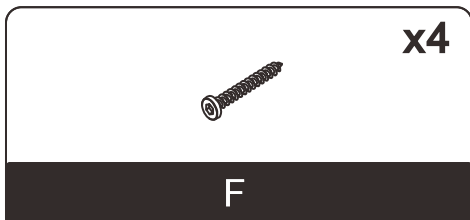
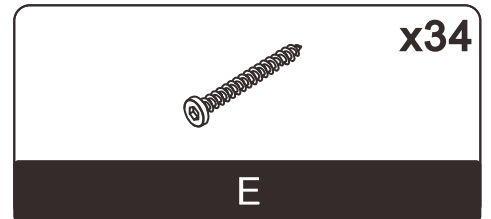
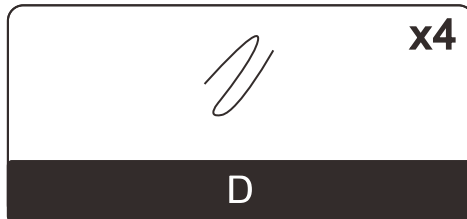
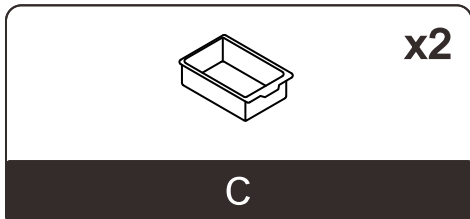
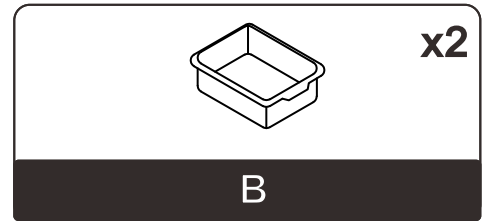
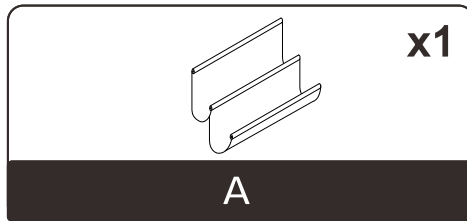
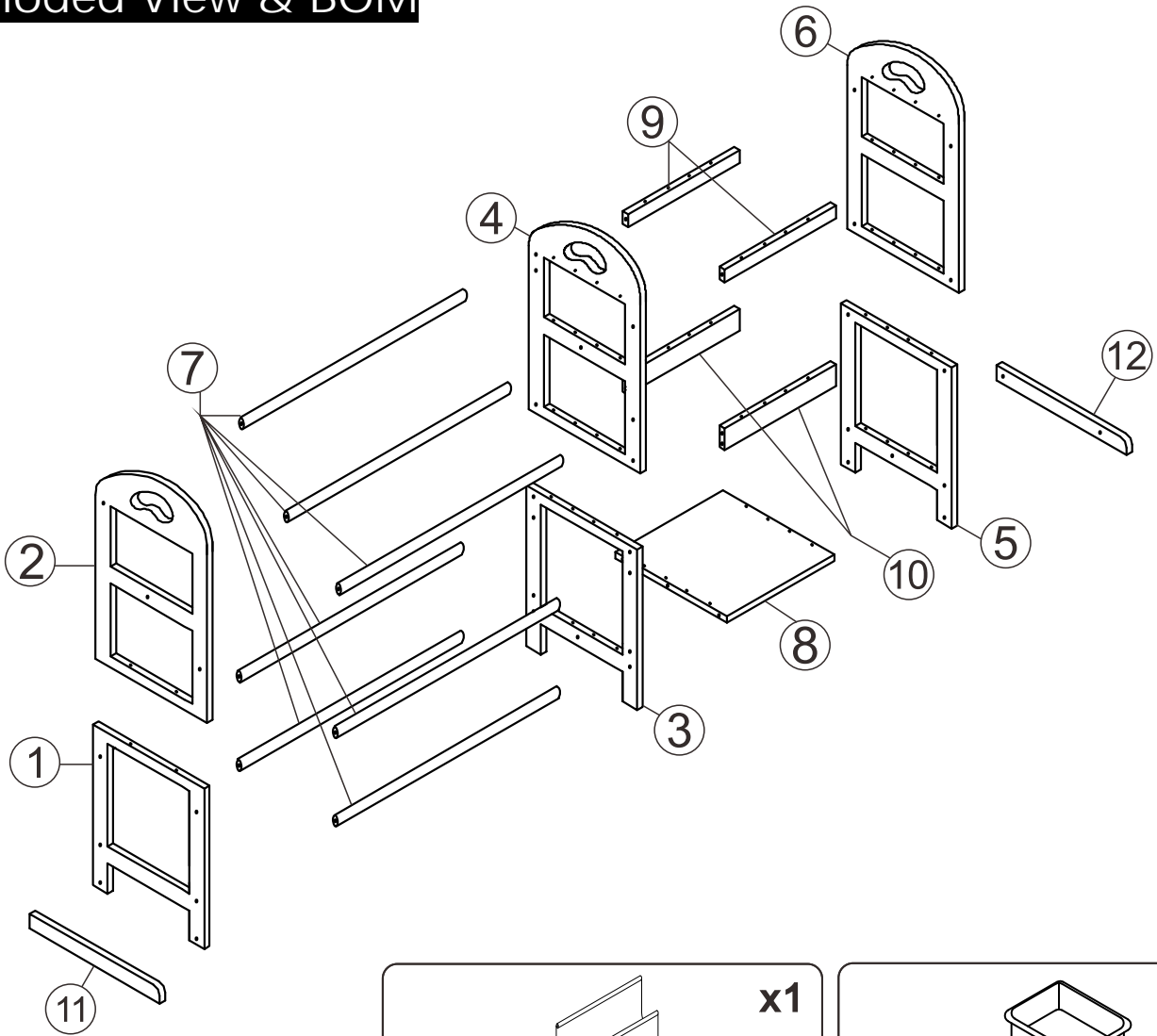
Protect finishes by placing furniture pieces on a soft carpeted surface during assembly.



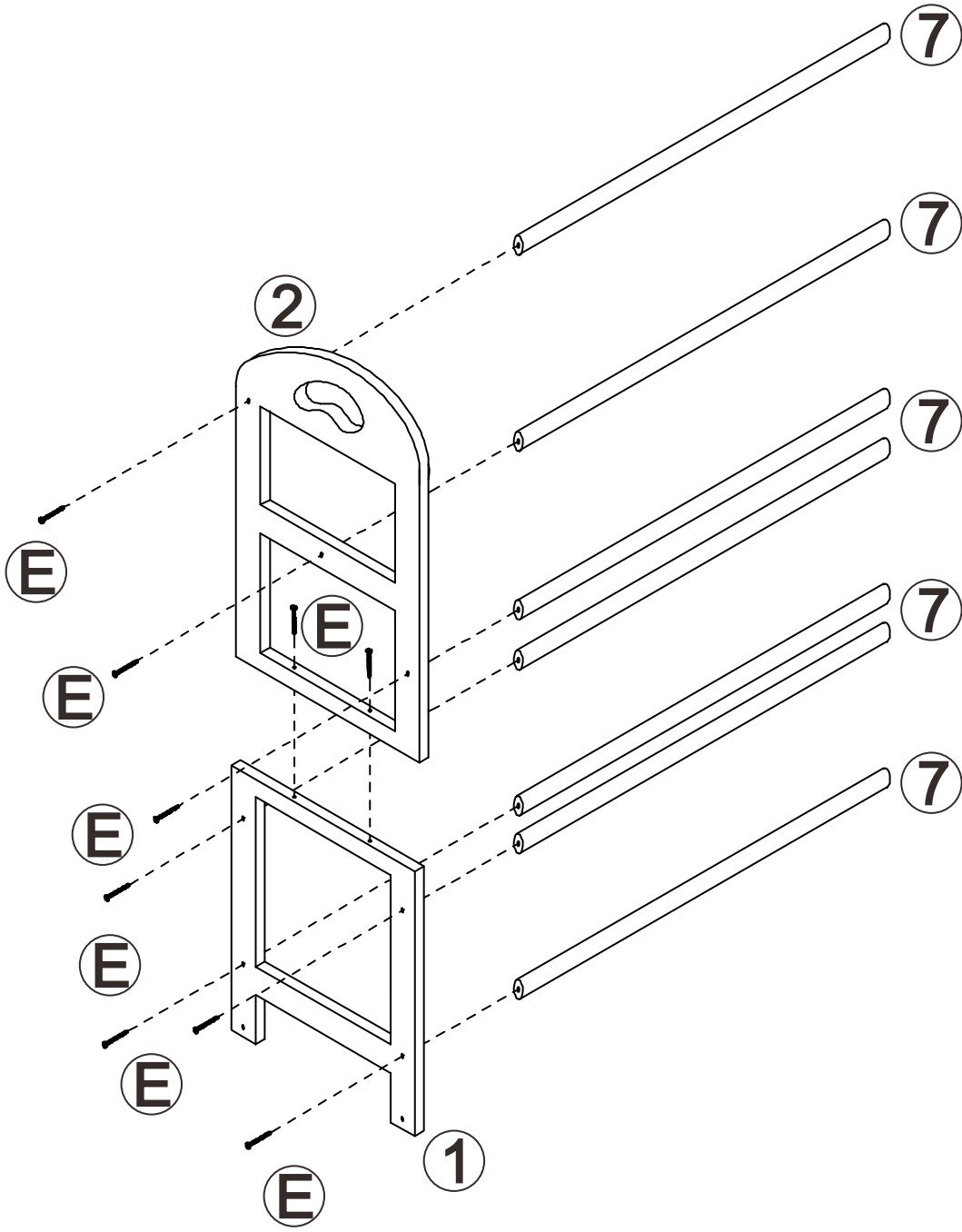
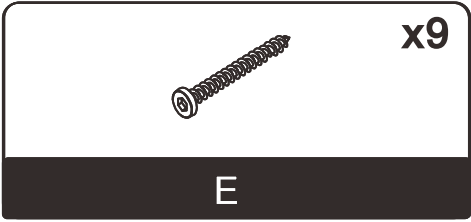
# WARNING

- **Tip-over hazard warning.** Furniture can tip over and cause serious injury or death. This unit must be permanently anchored to the wall using the included anti-tip hardware. Always install the wall anchor to prevent the unit from falling over, even if it feels stable.
- **Choking hazard from small parts.** Keep all plastic packaging, screws, nails, and small assembly parts out of the reach of infants and young children. These items are small and can cause choking or ingestion if swallowed.
- **Climbing and misuse prevention.** Do not allow children to climb, stand, sit, or play on the unit, shelves, fabric pockets, or plastic bins. Climbing or pulling on parts of the unit can cause it to tip over or collapse, leading to serious injury.
- **Adult supervision required.** Recommended for children ages 3 years and up. Adult supervision is required at all times when children are near or using the product. Never leave children unattended with the unit.
- **Indoor use only.** This product is designed for dry, indoor use only. Do not place or use the unit outdoors, in bathrooms, near water sources, or in damp/humid environments. Prolonged moisture exposure may damage the wood, fabric, and plastic parts, creating safety risks.
- **Keep away from windows and fall hazards.** Do not place the unit near windows, balconies, or ledges where children could climb and fall out. Always position the unit in a safe, low-risk location.
- **Do not exceed the rated load.** Maximum load per shelf/pocket/bin: **2 kg (4.41 lbs)**. Do not overload. Distribute weight evenly to prevent tipping or damage.

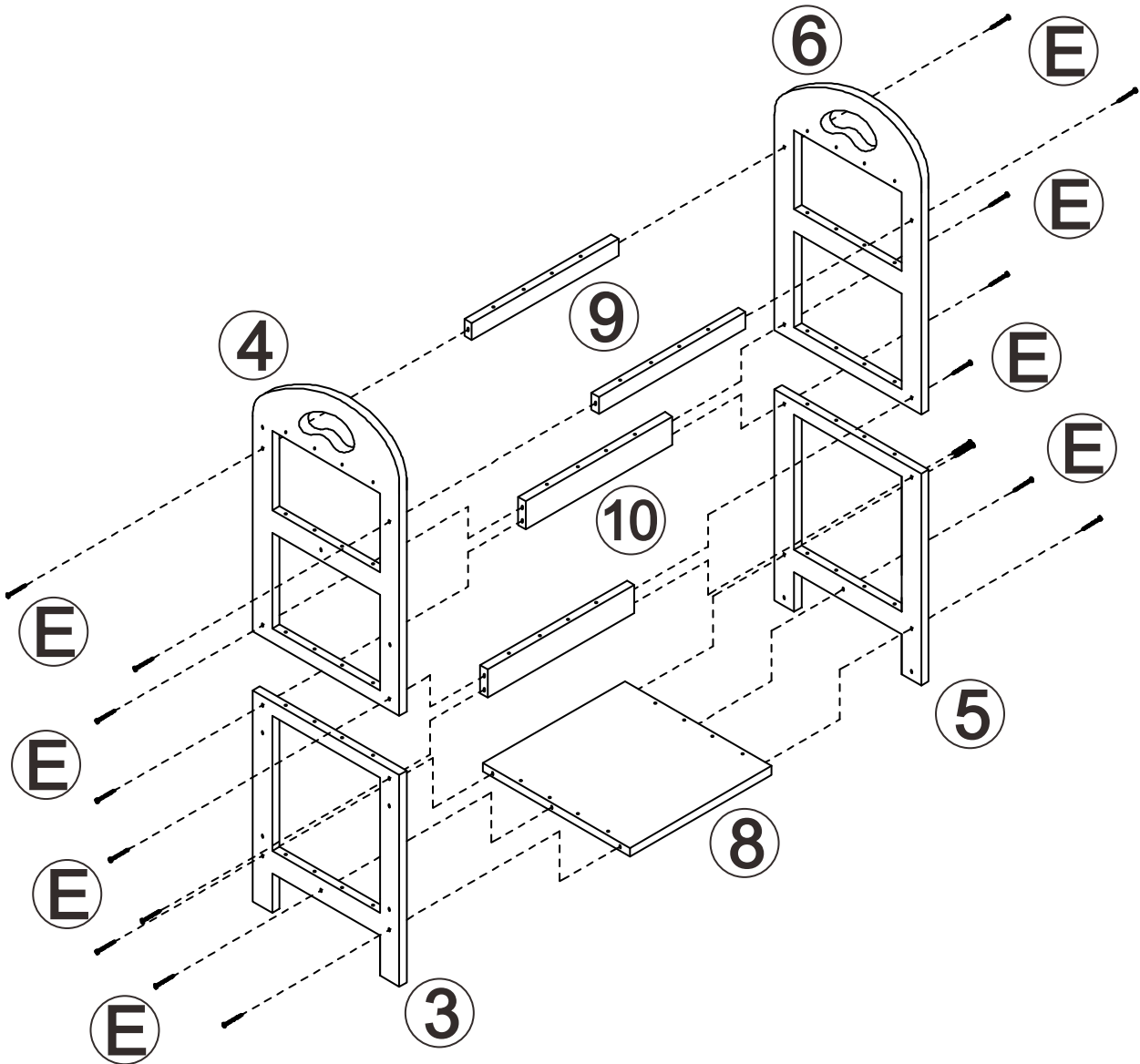
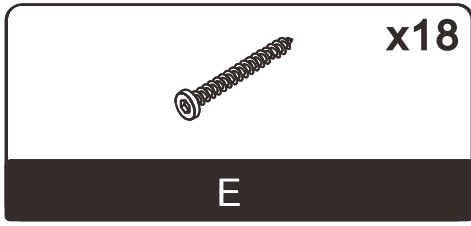
# Exploded View & BOM



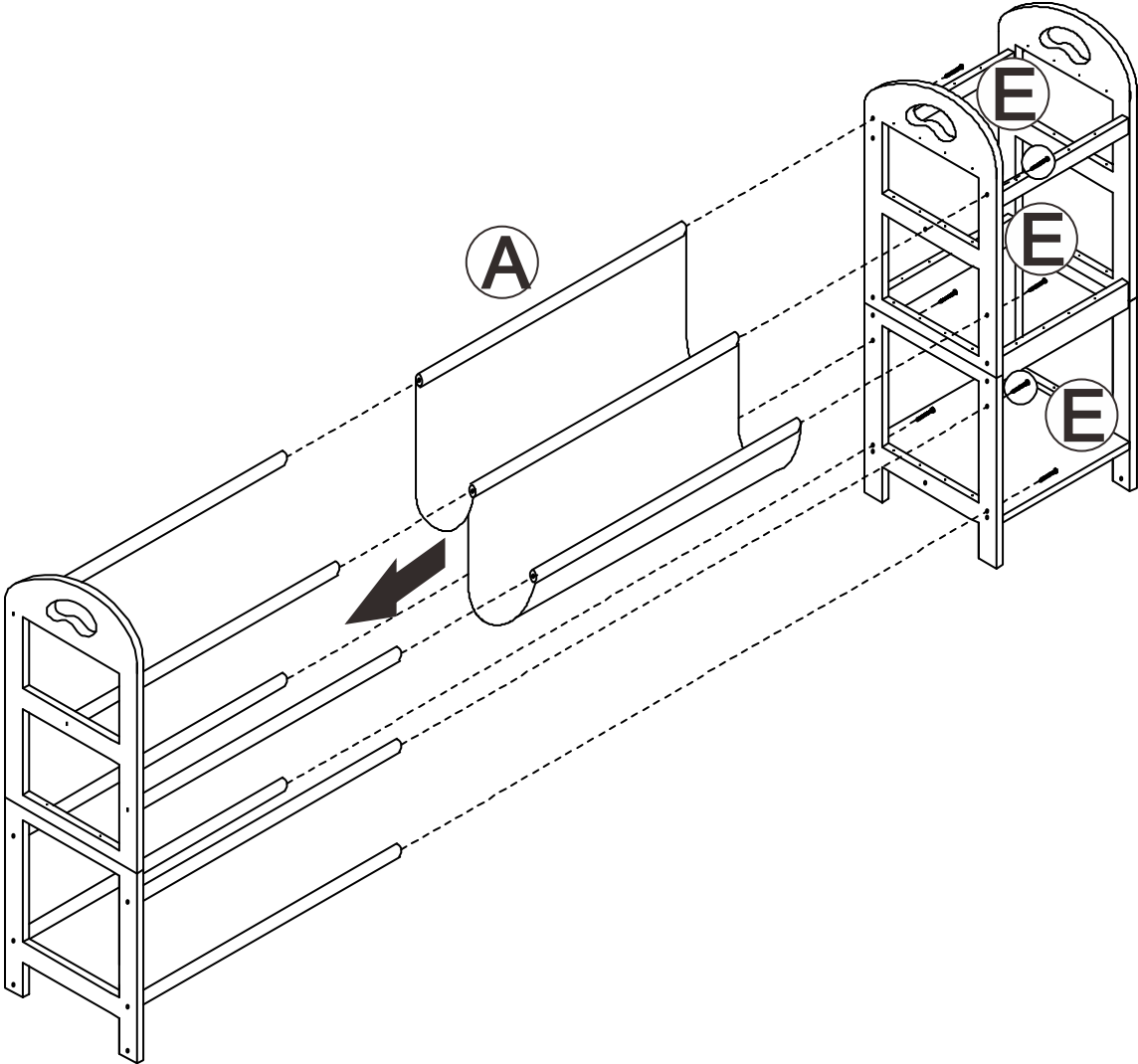
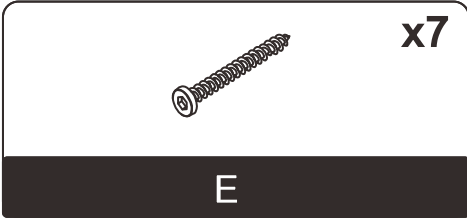
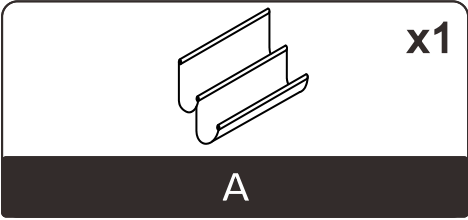
# STEP 1



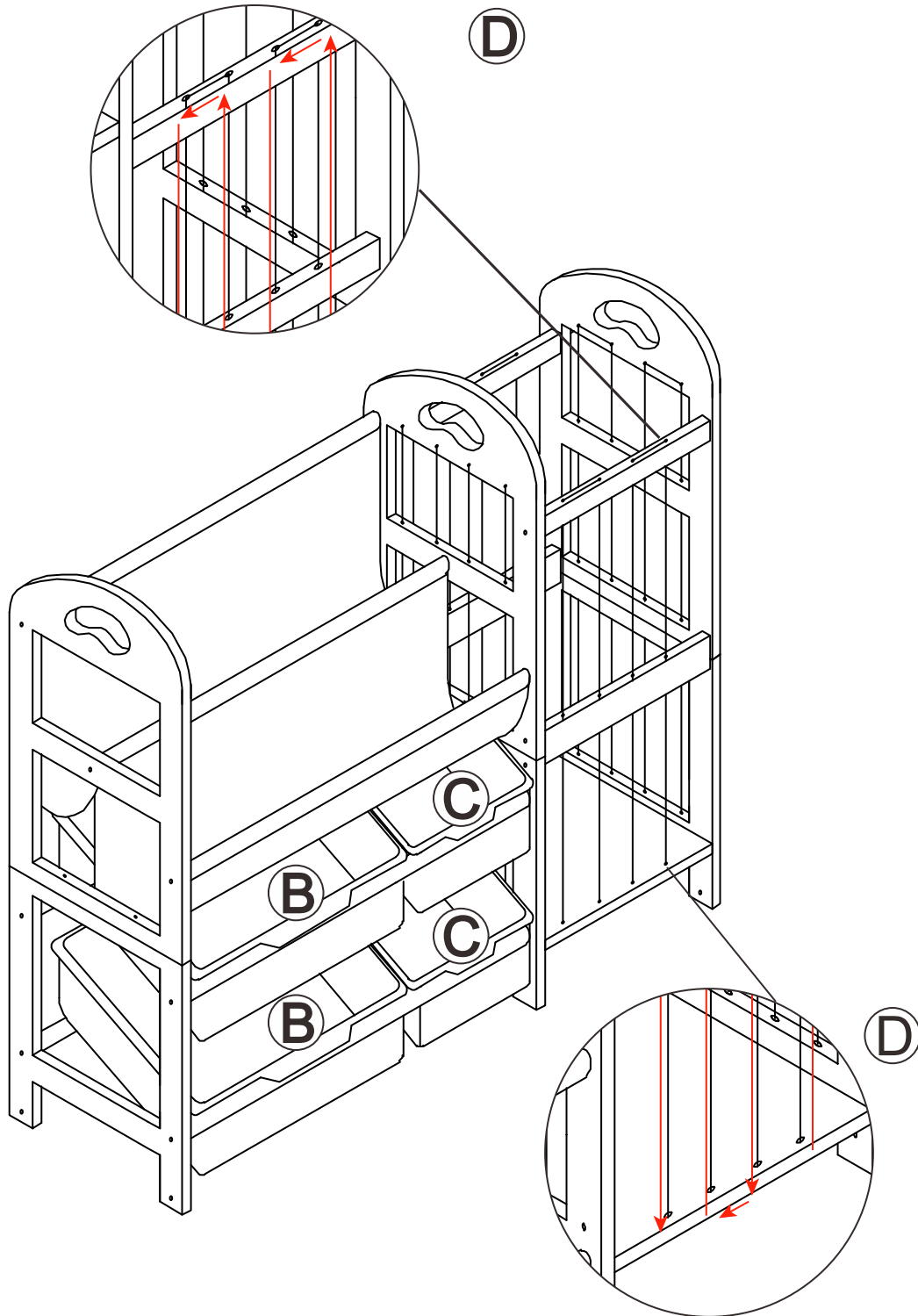
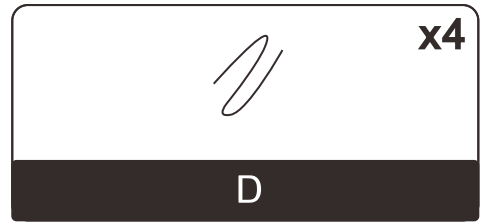
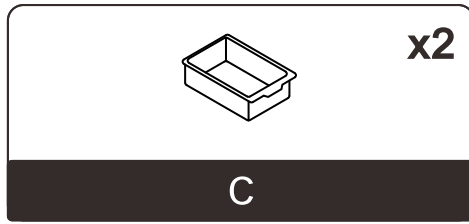
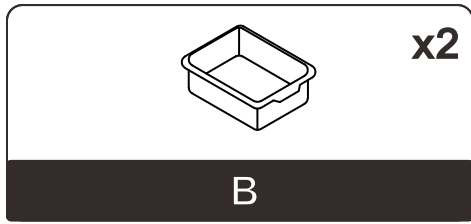
# STEP 2



# STEP 3

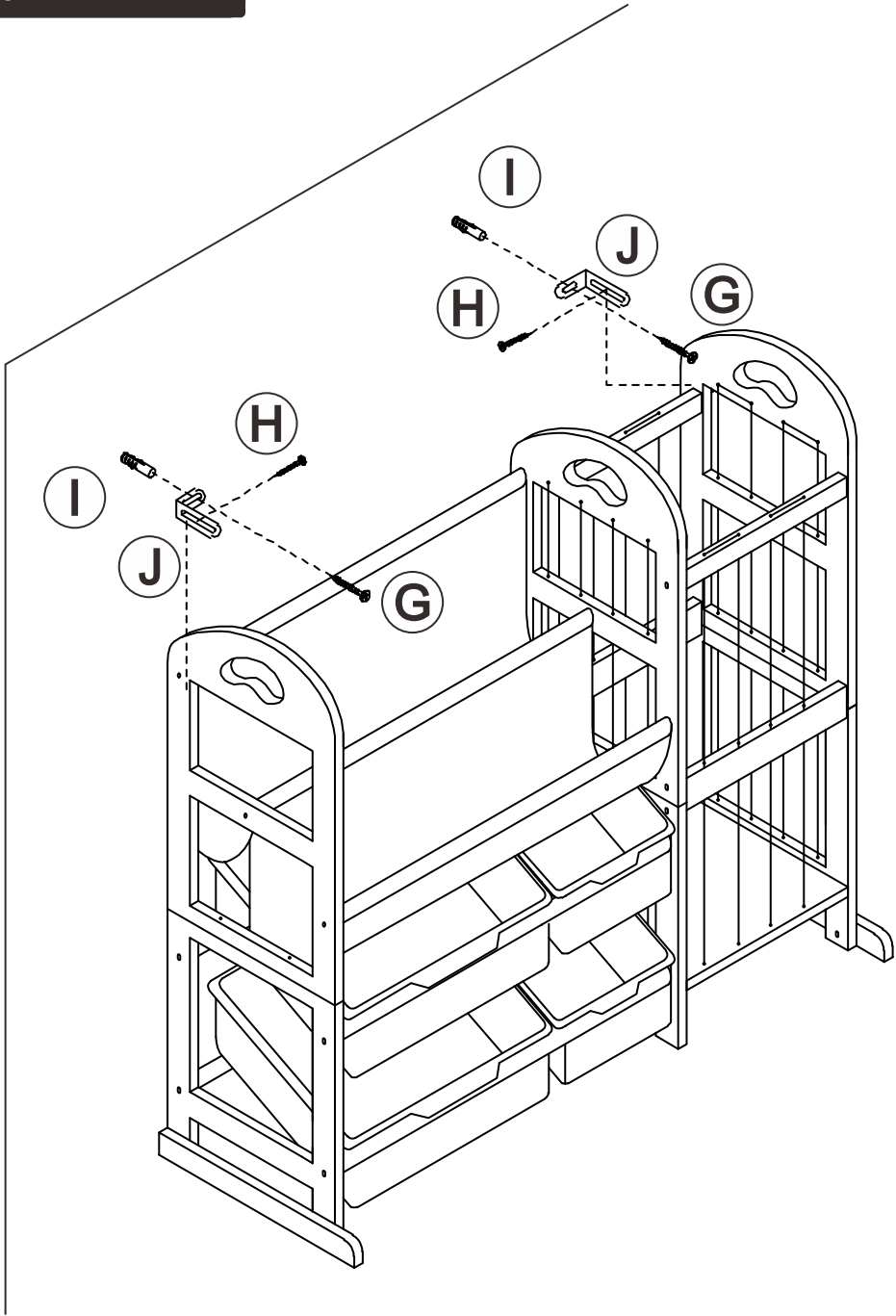
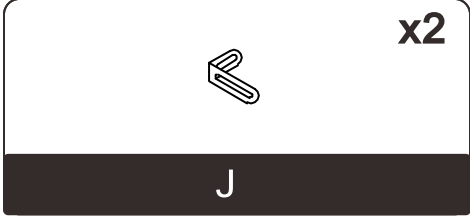
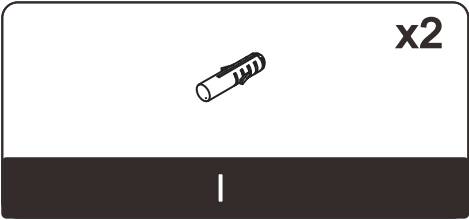
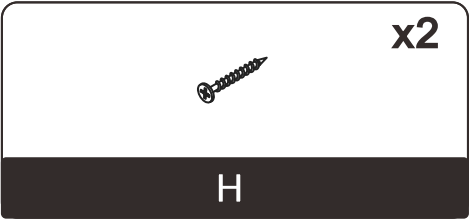
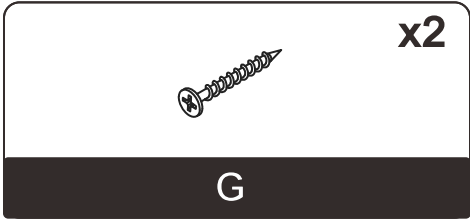


# STEP 4

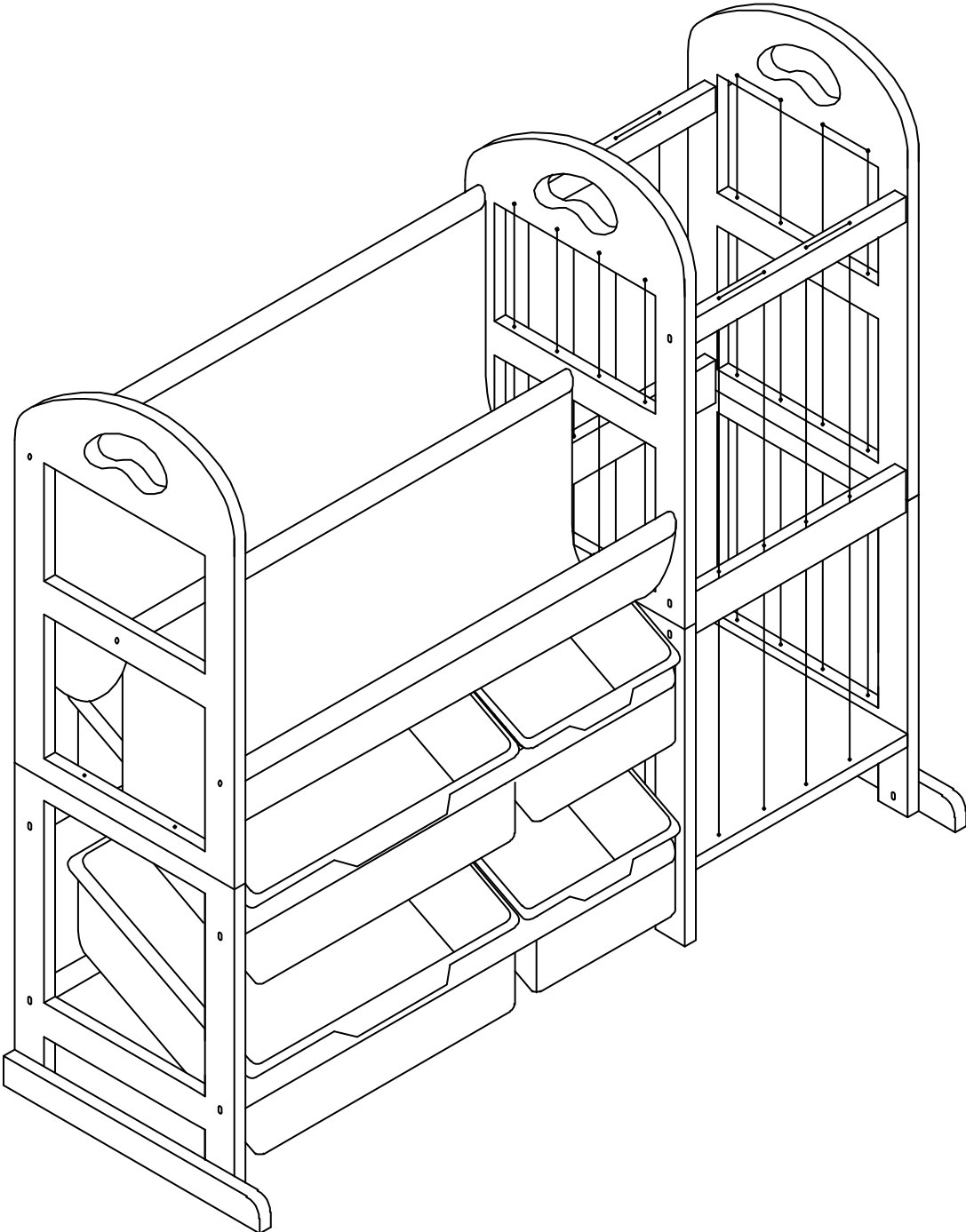




# STEP 6



**Completed**



# MAINTENANCE

- Wipe the surface with a soft, damp cloth and dry immediately.
  - Avoid using chemical cleaners, solvents, or abrasive pads that could damage the finish.
  - Do not place hot, wet, or heavy items directly on the surface.
  - Keep the furniture away from direct sunlight and excessive humidity to prevent warping or discoloration.
  - Check and tighten all screws periodically to maintain stability.
- 

## Warranty & Support

### Limited Warranty

This product is backed by a limited warranty that covers manufacturing defects under normal household use.

### Customer Service

If you have received a damaged product or are missing parts, please contact us directly for assistance. Do not return the product to the store.

When contacting us, please provide the following information:

- Order number or proof of purchase
- Clear photos showing the issue or damaged parts
- Product model number (as listed in this manual)

 Email: [info@serviceprohelp.com](mailto:info@serviceprohelp.com)

We will respond promptly with instructions for replacement parts or other solutions.

Thank you for choosing our product. Enjoy your new furniture!

**Product name:** Kids Bookshelf Base

**Manufacturer:** U1260

**Manufacturer Address:** Nanping, Fujian, China

**Importer address :** LIKORAI INC110 16th Street, Suite 1460Denver CO 80202

**Telephone:** +1 7477776766

**Made in China**