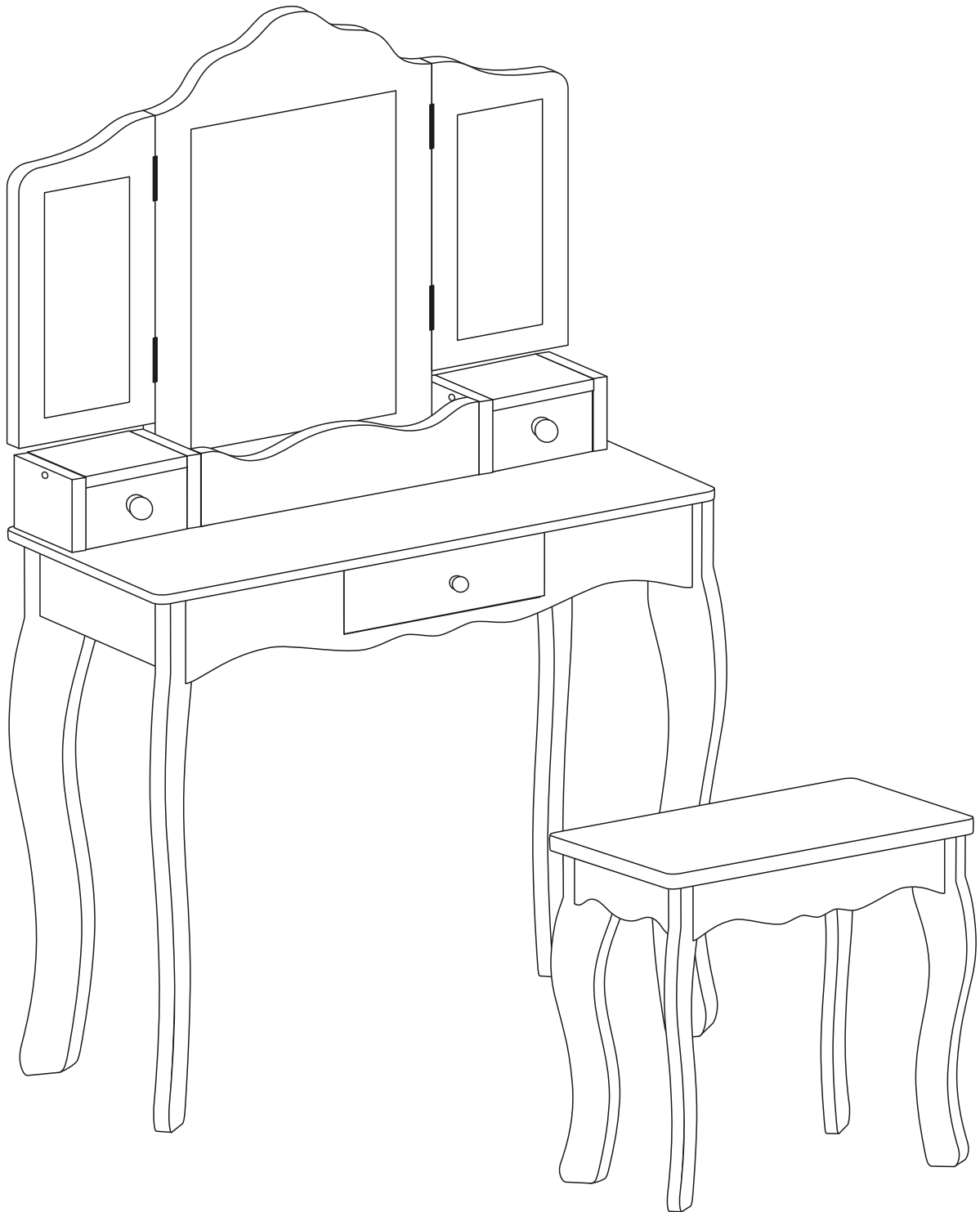


Model: FEUCE002PK



⚠ WARNING
CHOKING HAZARD -
Small parts. Not for children under 3 yrs.

⚠ WARNING:
Assembly by an adult.

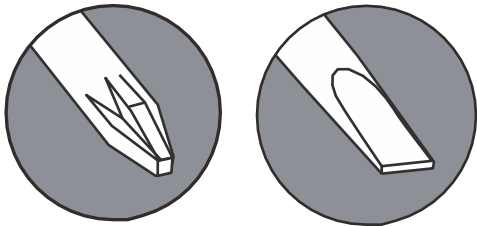
info@serviceprohelp.com



SAFETY INFORMATION

WARNING: To prevent serious injury or death from furniture tip-overs.

- **NEVER** allow children to climb, stand, or play on any furniture.
- **ALWAYS** supervise children around furniture.
- **KEEP** remote controls, toys, and other attractive items out of reach from the tops of furniture.



TOOLS REQUIRED



Two people are required for assembly.



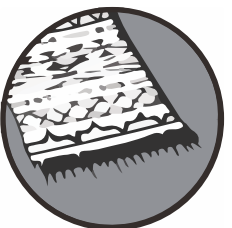
Move this piece of furniture gently with two people.



Read this assembly manual carefully, and verify that you have all the parts listed before you begin.
Keep your assembly manual for future reference.



Do not place very hot/cold objects on top of any surface. Always use a coaster or mat. Never leave liquids on the surface. Clean immediately with a mild soap and a damp cloth. Never use scouring powder based cleanser.



Protect finishes by placing furniture pieces on a soft carpeted surface during assembly.



Safety and Care Advice

Important – Please read these instructions fully before starting assembly

- Anchor the vanity firmly to the wall with anti-tip accessory to avoid tipping hazards.
- Ages 3+. Adult supervision is required at all times. Never leave children unsupervised near the unit.
- Keep children and animals away from the work area. Small parts present a choking hazard if swallowed.
- This glass mirror is fragile and is not shatter-resistant. Handle with care to avoid breakage and potential injury.

IF THE MIRROR BREAKS

- Keep children and pets away from the broken area.
- Wear thick protective gloves before cleaning up glass fragments.
- Collect glass fragments carefully. Avoid direct skin contact.
- Seal glass pieces in a sturdy container for proper disposal.
- Discontinue use and contact customer service for a replacement mirror.



- To reduce the likelihood of damaging your product, please ensure that your power drill is set to a low torque setting.

Care & maintenance

- Clean only with a damp cloth and mild detergent. Do not use bleach or abrasive cleaners.
- Periodically check that there are no loose screws on this unit.
- Do not discard with household waste. Dispose of at a local waste center.

Handy Hints

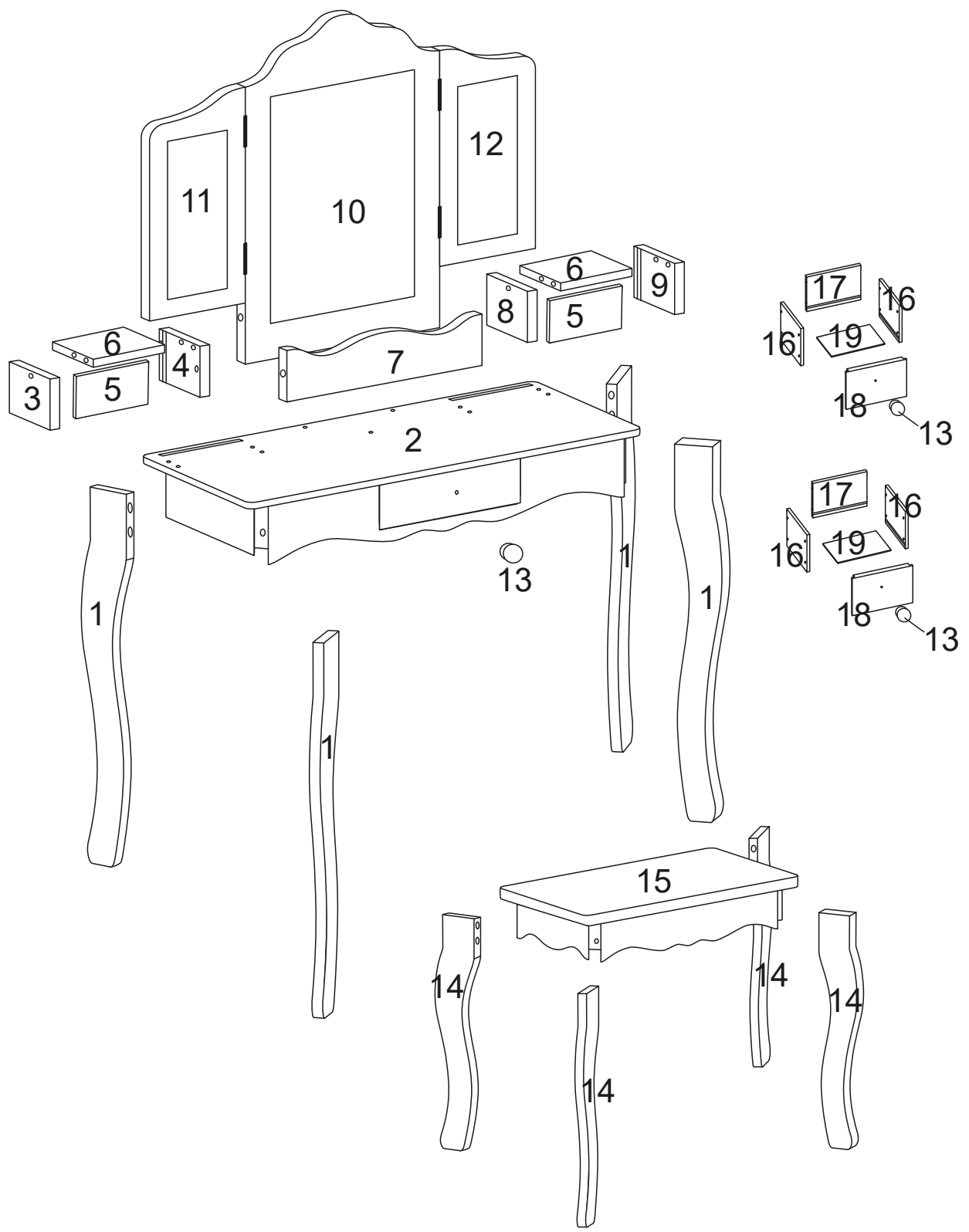
- Assemble all parts and bolts loosely first, fully tighten bolts only after full assembly.
- Regularly check and ensure that all bolts and fittings are tightened properly.

WARNING

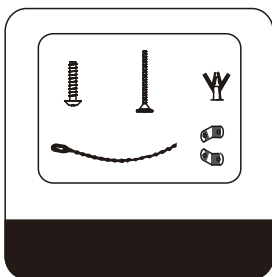
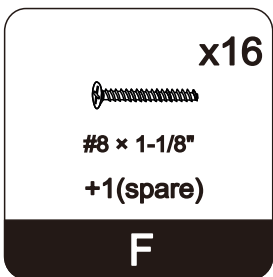
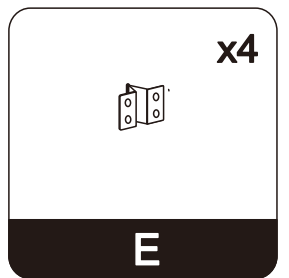
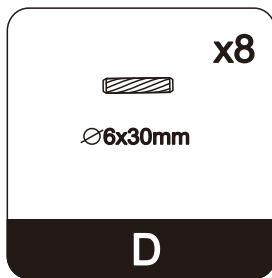
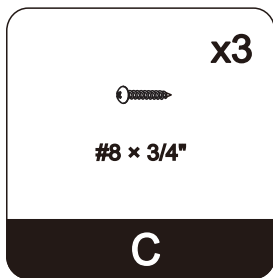
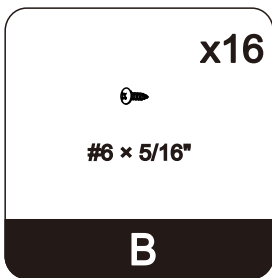
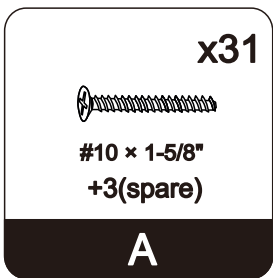
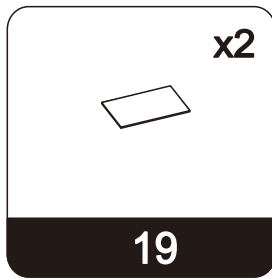
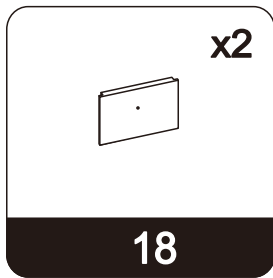
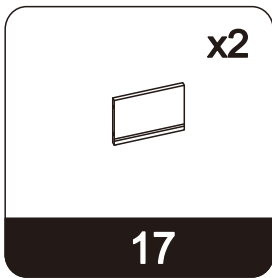
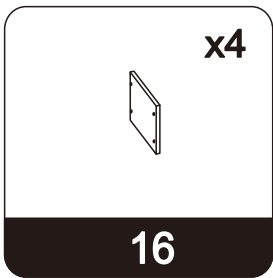
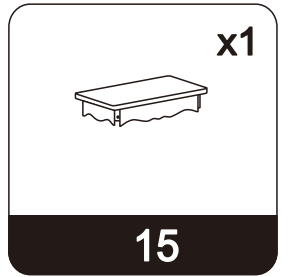
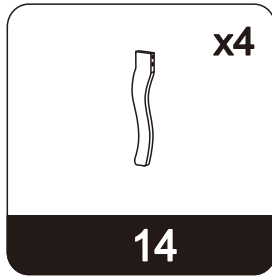
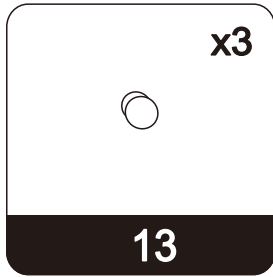
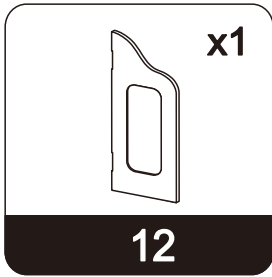
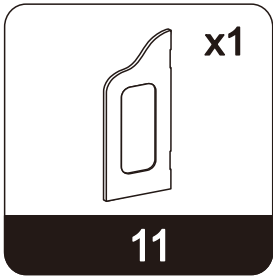
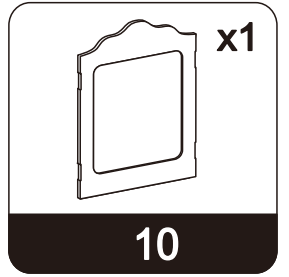
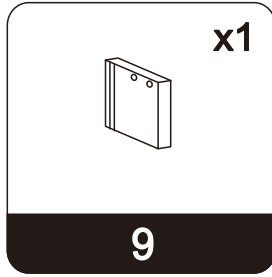
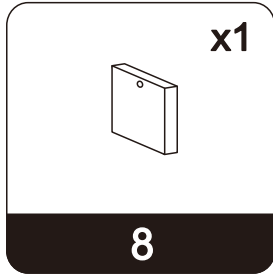
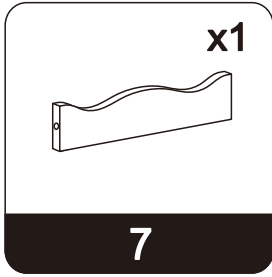
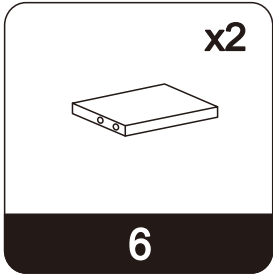
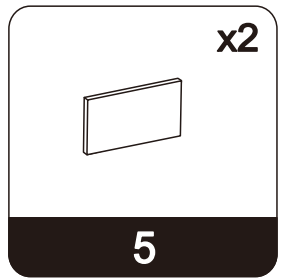
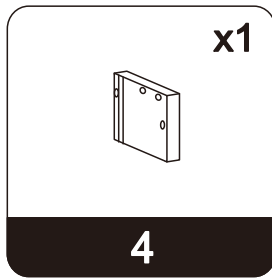
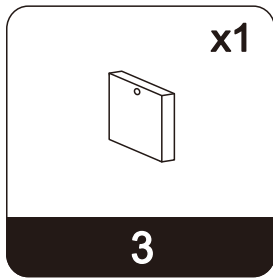
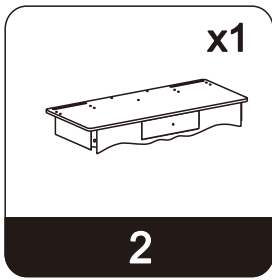
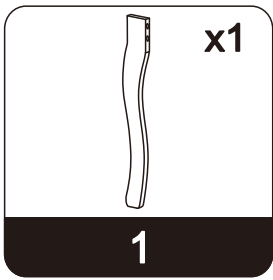
In order to help prevent overturning – please follow these instructions

- Use the anti tip strap or wall fixing method provided.
- Do not allow children to climb or hang on the furniture.
- Do not open more than one drawer at a time.
- Do not place heavy items in the top drawers.
- Do not place heavy items on top of the furniture, unless the furniture has been designed for this purpose.

EXPLODED VIEW



PARTS



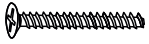
ASSEMBLY INSTRUCTIONS



Do not tighten the screws until all of them are fastened into the holes.

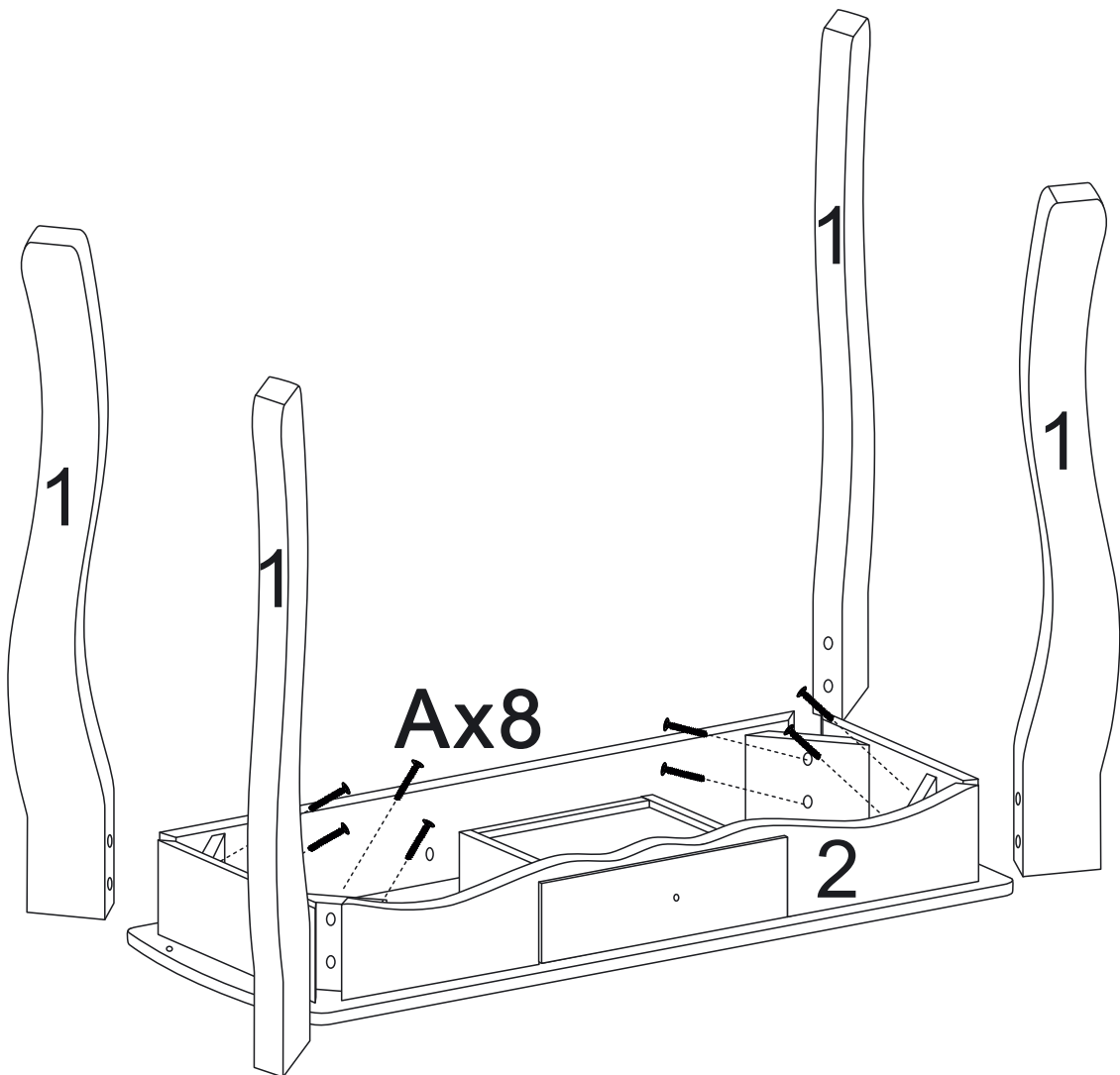
STEP 1

x8



#10 × 1-5/8"

A



STEP 2

x16



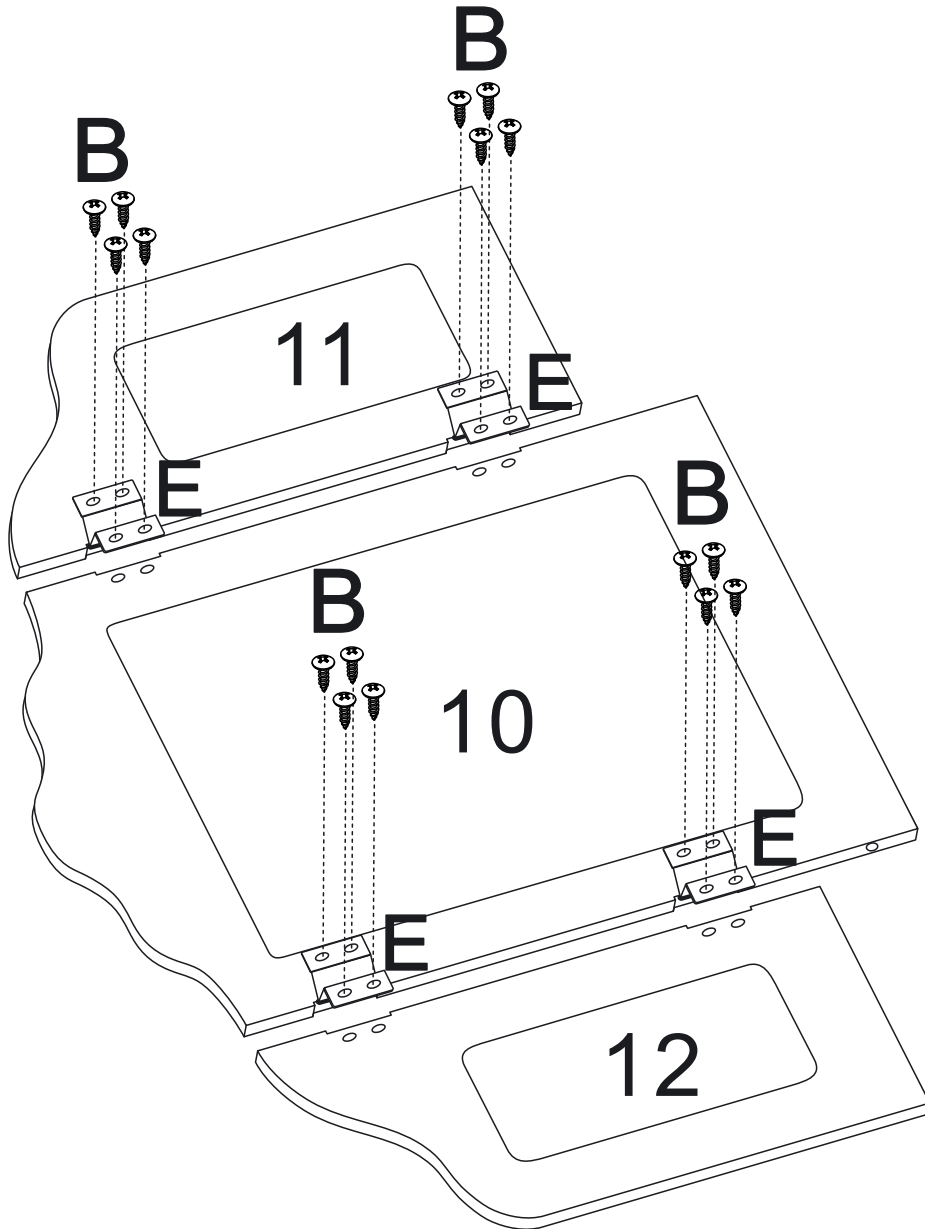
#6 × 5/16"

B

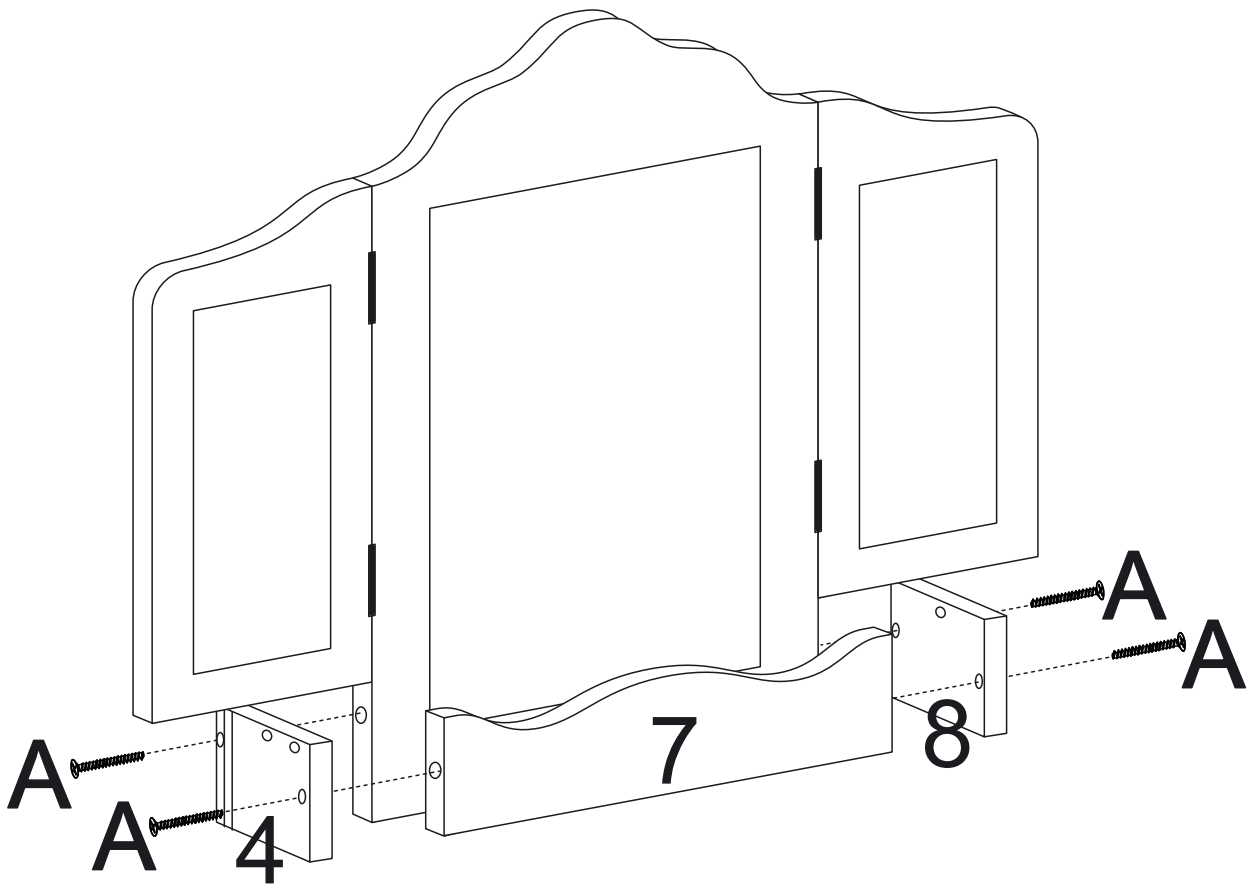
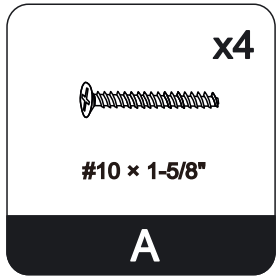
x4



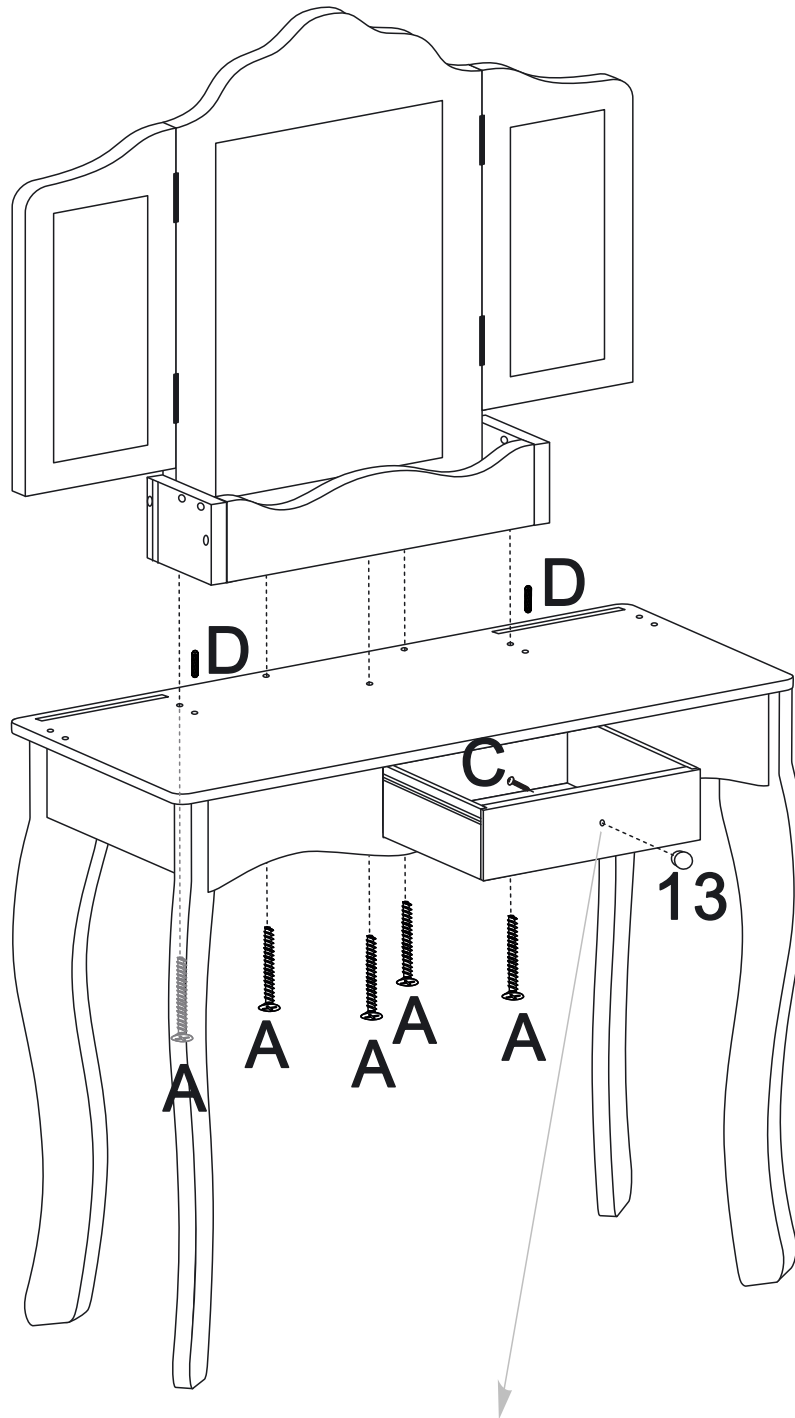
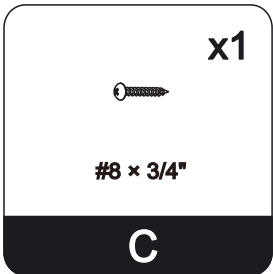
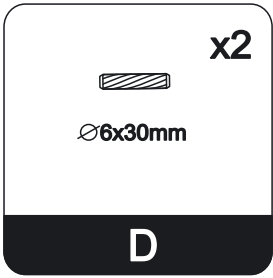
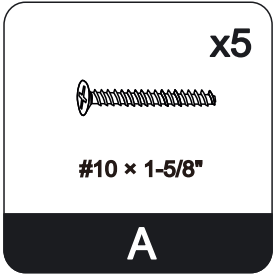
E



STEP 3

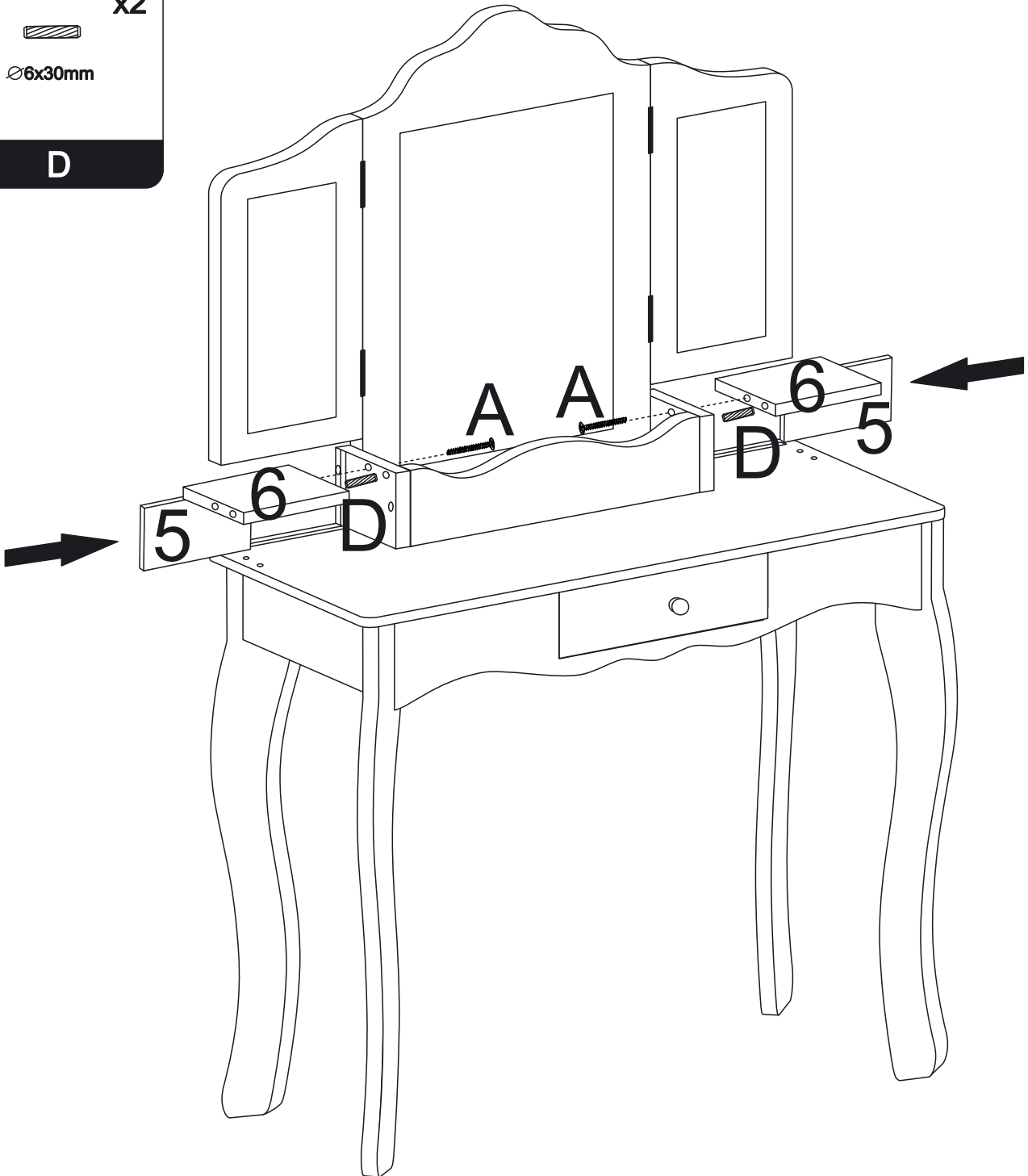
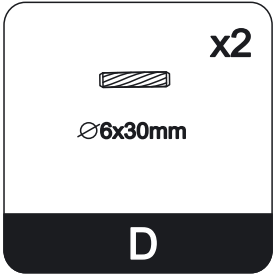
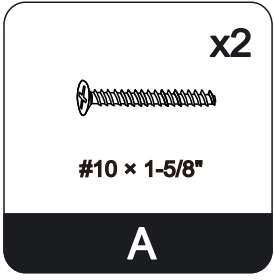


STEP 4

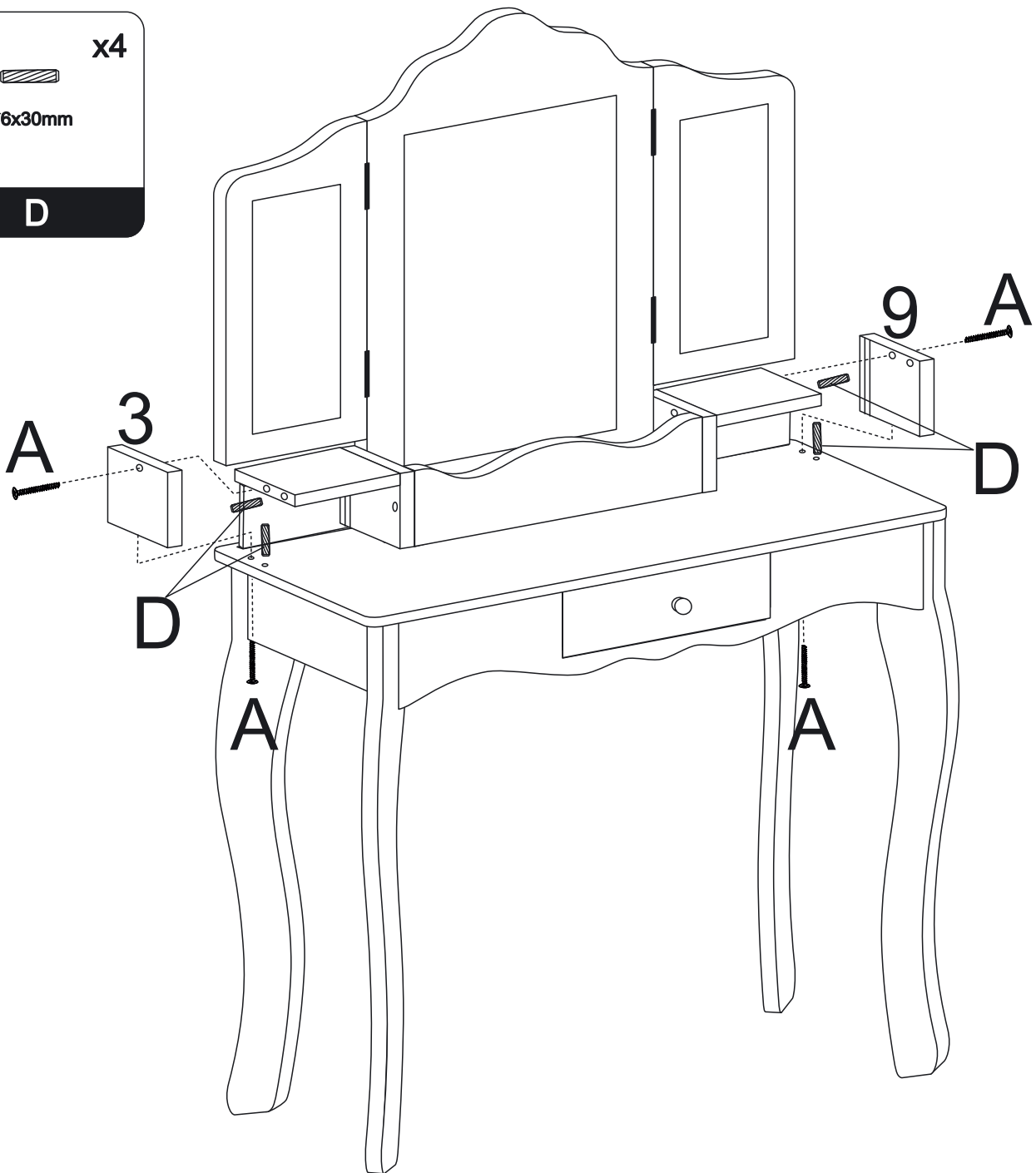
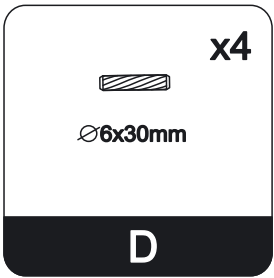
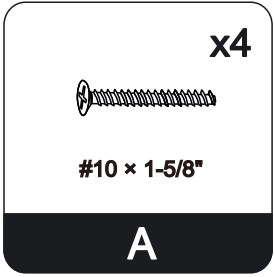


NOTE: Removing the drawer front panel first will make it easier to attach the knob (part 13).

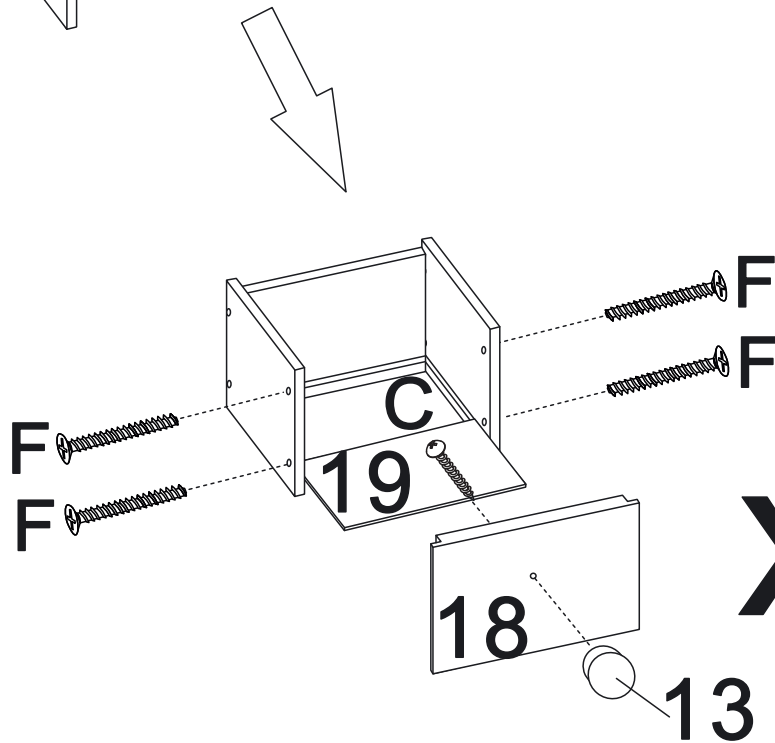
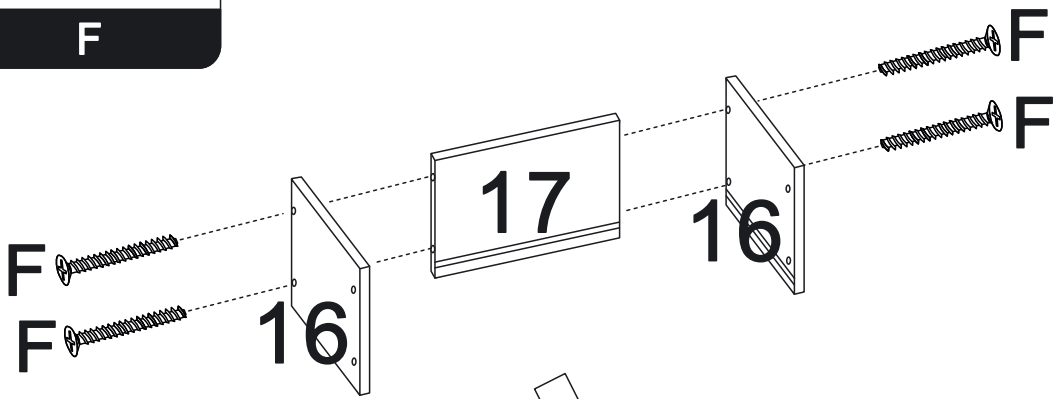
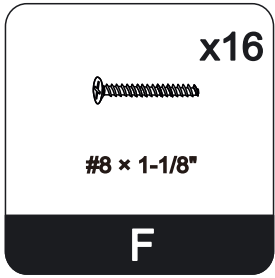
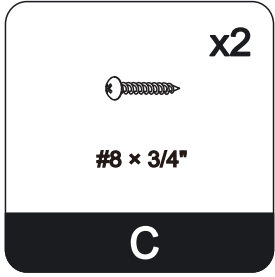
STEP 5



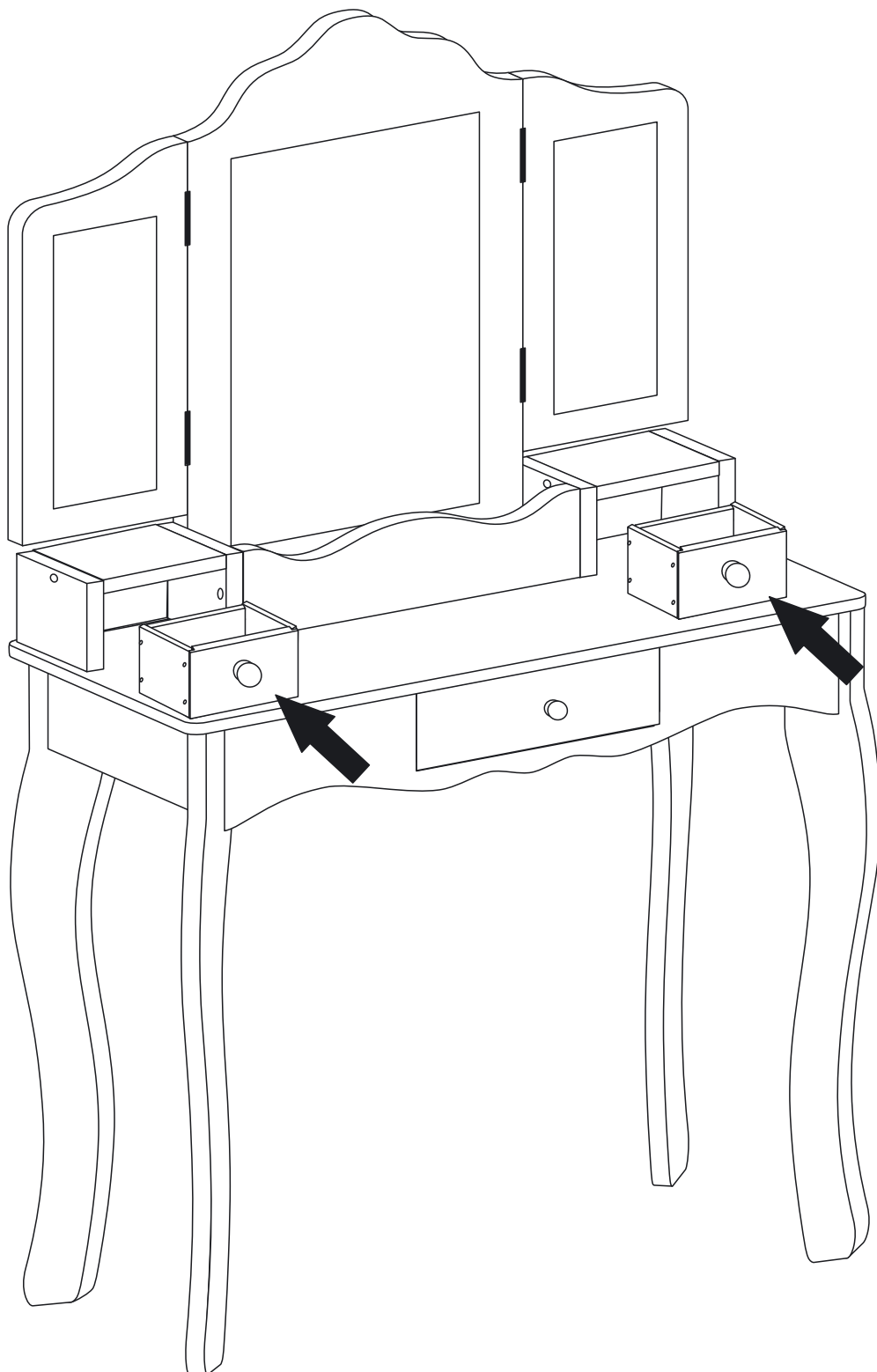
STEP 6



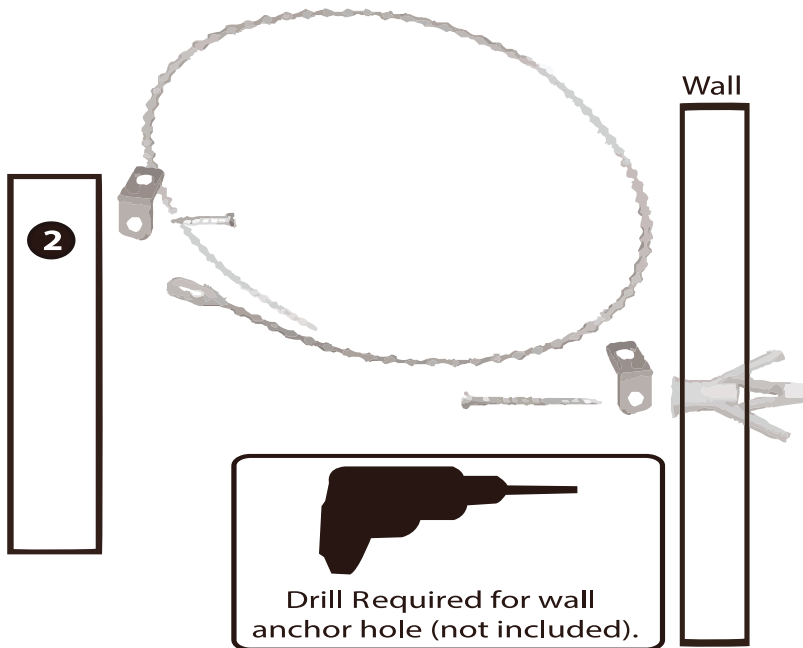
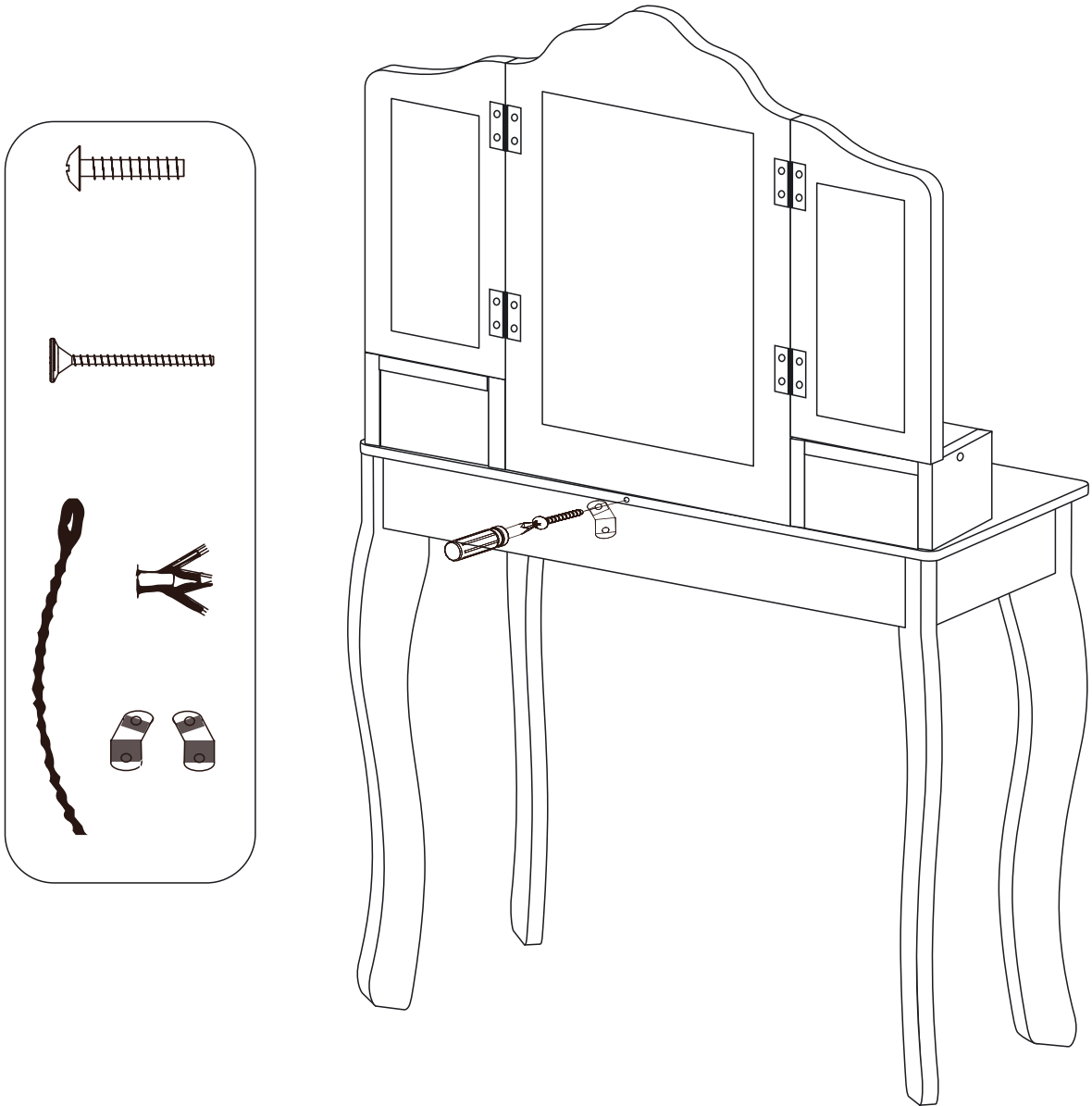
STEP 7



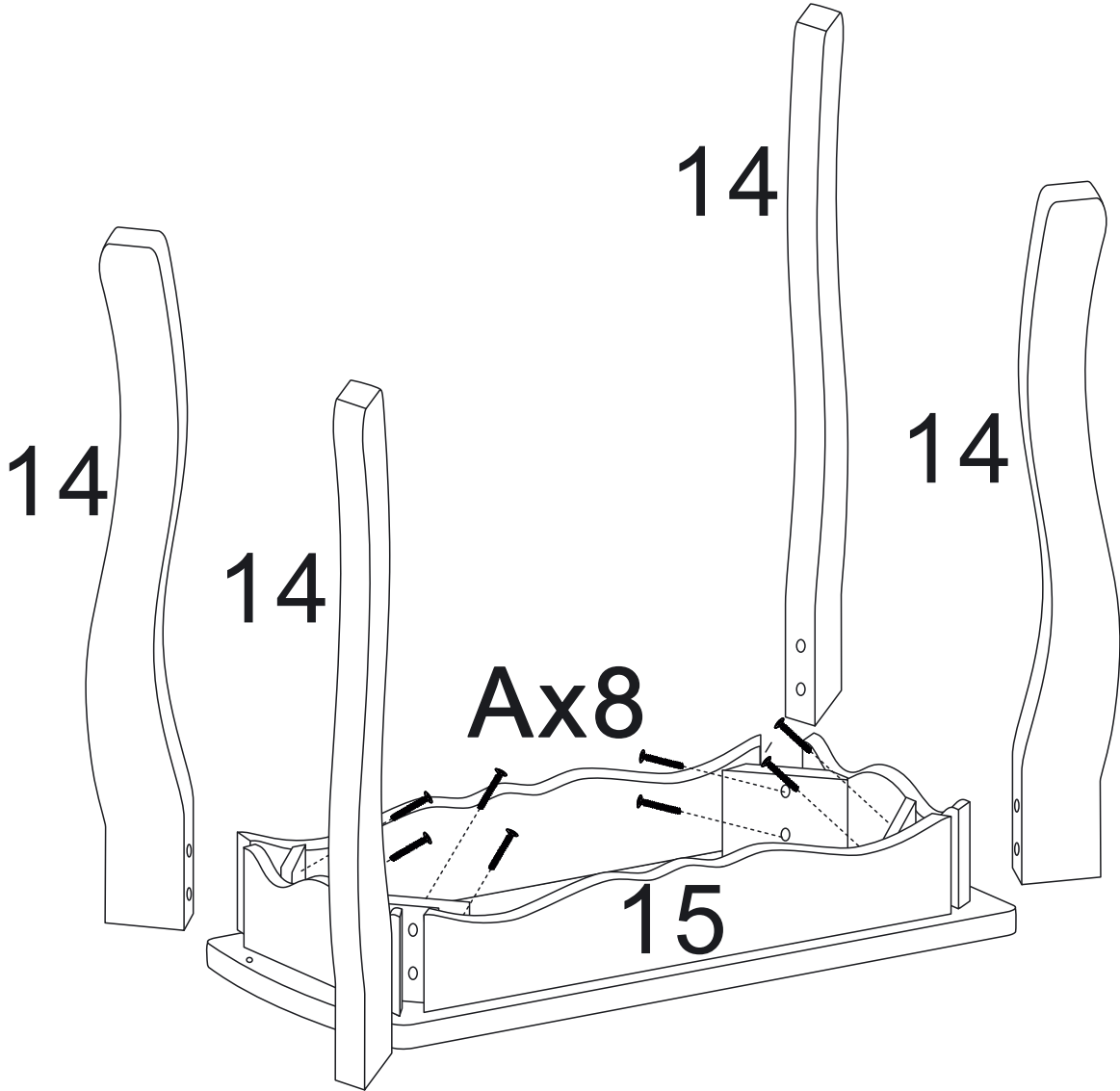
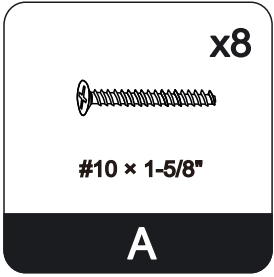
STEP 8



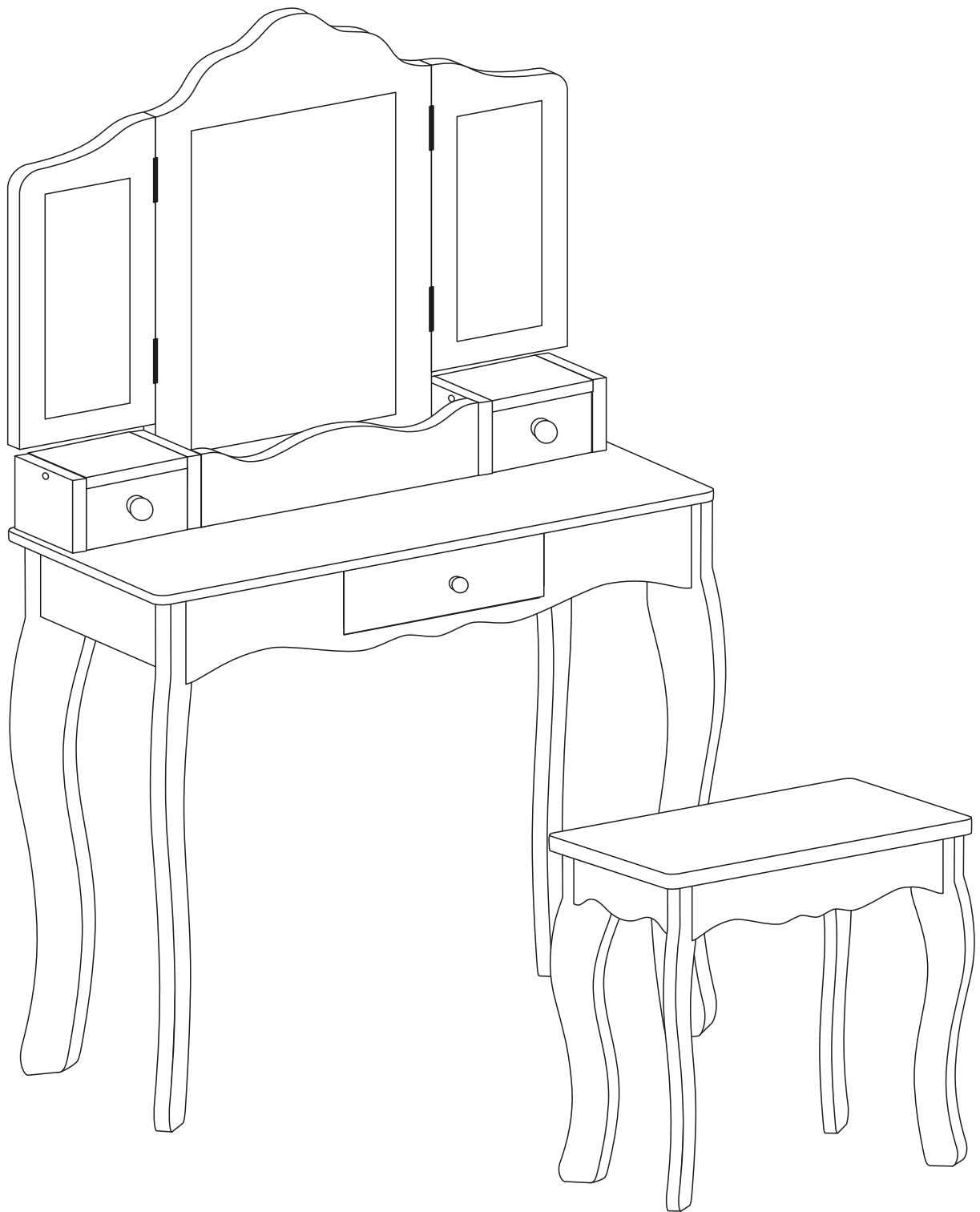
STEP 9



STEP 10



STEP 11



MAINTENANCE

- Wipe the surface with a soft, damp cloth and dry immediately.
 - Avoid using chemical cleaners, solvents, or abrasive pads that could damage the finish.
 - Do not place hot, wet, or heavy items directly on the surface.
 - Keep the furniture away from direct sunlight and excessive humidity to prevent warping or discoloration.
 - Check and tighten all screws periodically to maintain stability.
-

Warranty & Support

Limited Warranty

This product is backed by a limited warranty that covers manufacturing defects under normal household use.

Customer Service

If you have received a damaged product or are missing parts, please contact us directly for assistance. Do not return the product to the store.

When contacting us, please provide the following information:

- Order number or proof of purchase
- Clear photos showing the issue or damaged parts
- Product model number (as listed in this manual)

 Email: info@serviceprohelp.com

We will respond promptly with instructions for replacement parts or other solutions.

Thank you for choosing our product. Enjoy your new furniture!

Product name: Children's Dressing Table with Tri-fold Mirror

Manufacturer: Zhejiang Taishun Zhenxing Toys co.,LTD

Manufacturer Address: Jiao yang Industrial Park,Taishun, Zhejiang,China

Importer address : LIKORAI INC110 16th Street, Suite 1460Denver CO 80202

Telephone: +1 7477776766

Made in China