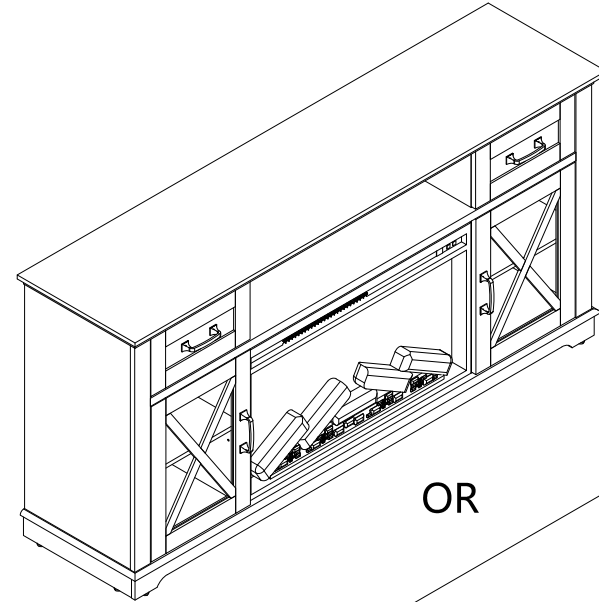
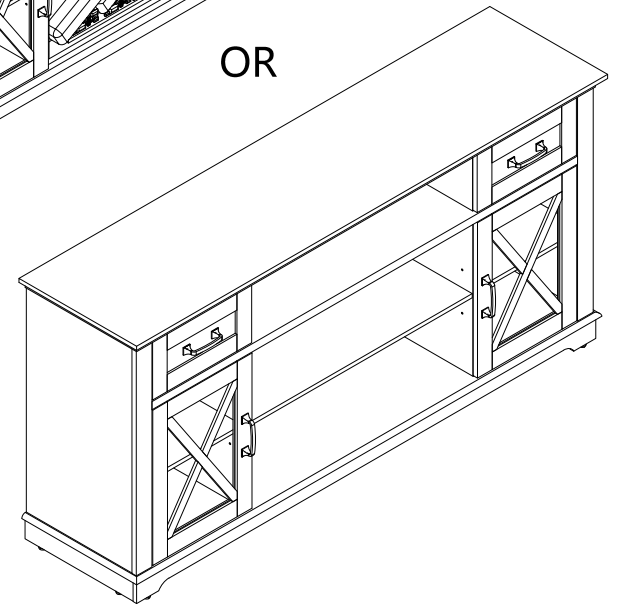


# PAPROOS

Model: FDYWC011WE FDYWC011BK

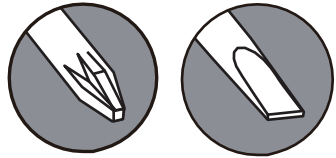


OR



[info@serviceprohelp.com](mailto:info@serviceprohelp.com)

## PLEASE READ CAREFULLY



TOOLS REQUIRED



Two people are required for assembly.



Move this piece of furniture gently with two people.



Read this assembly manual carefully, and verify that you have all the parts listed before you begin. Keep your assembly manual for future reference.



Do not place very hot/cold objects on top of any surface. Always use a coaster or mat. Never leave liquids on the surface. Clean immediately with a mild soap and a damp cloth. Never use scouring powder based cleanser.



Protect finishes by placing furniture pieces on a soft carpeted surface during assembly.



## SAFE INFORMATION

**WARNING: To prevent serious injury or death from furniture tip-overs.**

- **NEVER** allow children to climb, stand, or play on any furniture.
- **ALWAYS** supervise children around furniture.
- **KEEP** remote controls, toys, and other attractive items out of reach from the tops of furniture.

**WARNING: ALWAYS anchor furniture to the wall.**

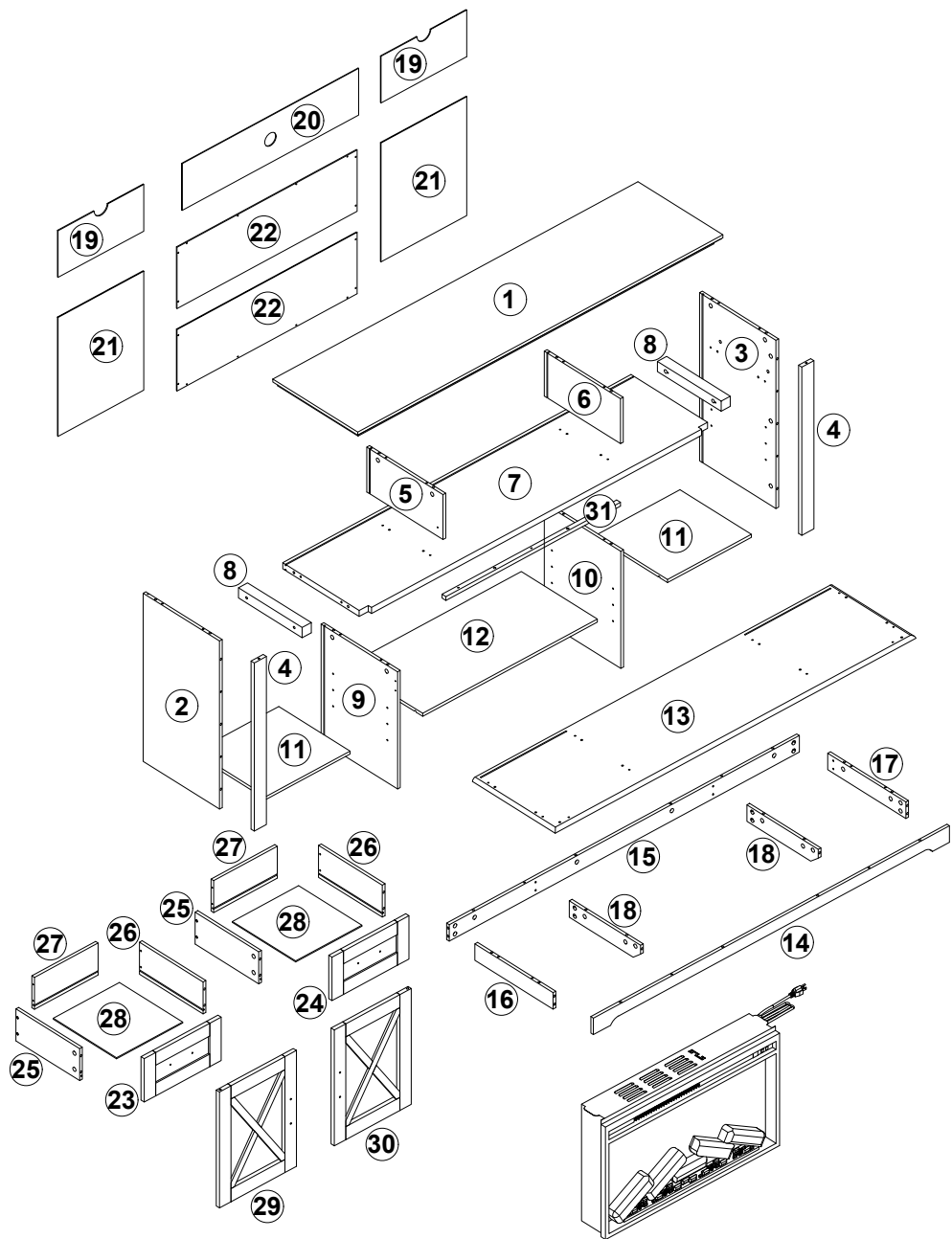
- Anchoring is **ESSENTIAL** to prevent tip-overs.
- Anchor **DIRECTLY** to wall studs or masonry using appropriate hardware.
- **CONSULT** a qualified professional if you are uncertain about your wall construction or how to install anchors properly.
- **REFER** to your television and furniture owner' s manuals for model-specific instructions.
- **NEVER** remove wall anchors without first emptying all items from the furniture.

**CAUTION: Use only furniture designed for TVs.**

- Placing a TV on furniture **NOT** designed for it (e.g., dressers, bookcases) creates a top-heavy, unstable hazard.
- **USE ONLY** furniture specifically designed and rated to support the weight and size of your television.
- **FOLLOW** all manufacturer instructions for installation and weight limits.

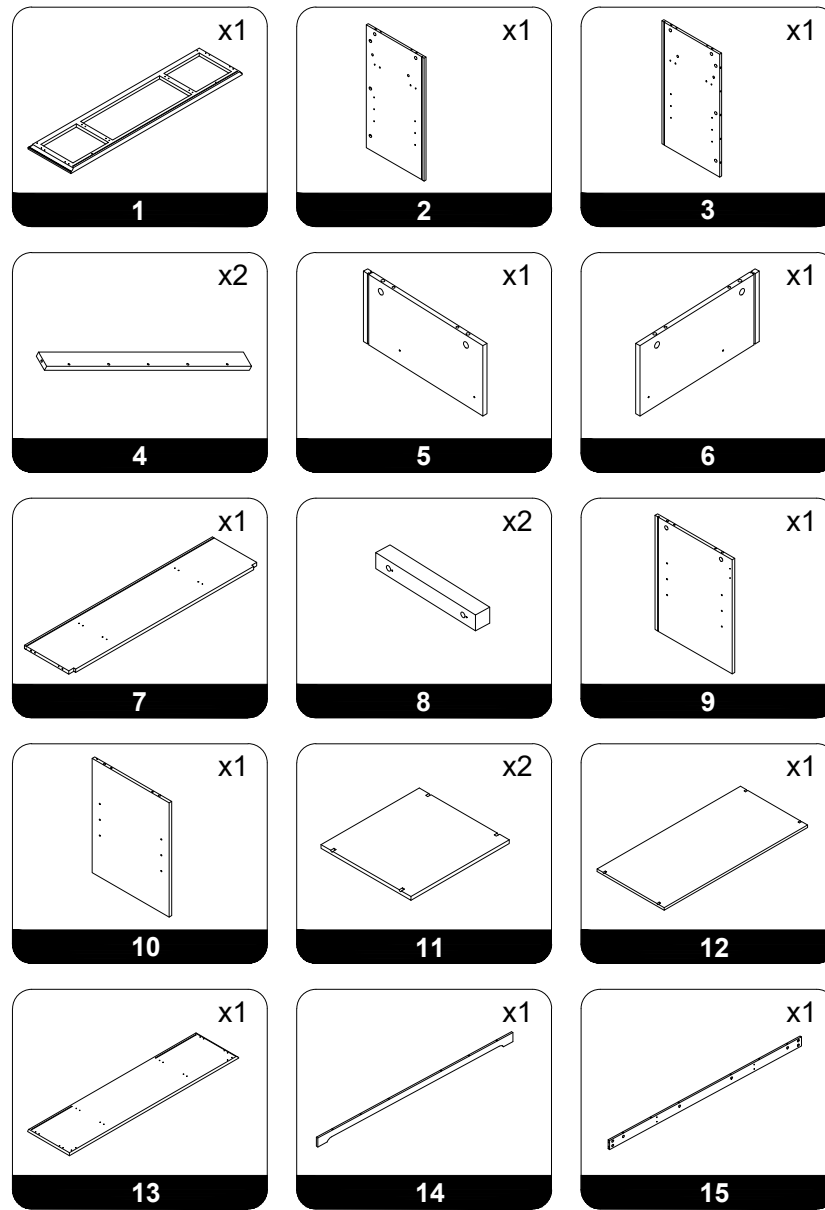
➔ For more details, visit <https://www.anchorit.gov/>

# EXPLODED VIEW



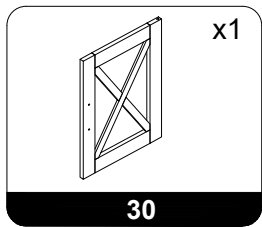
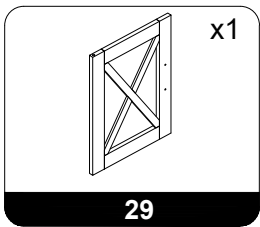
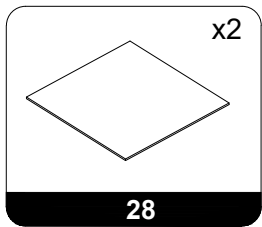
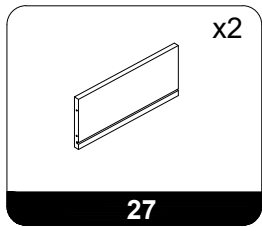
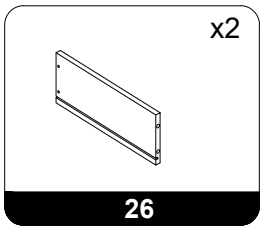
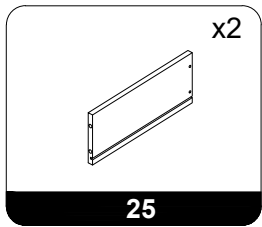
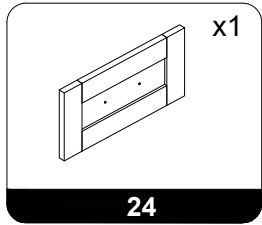
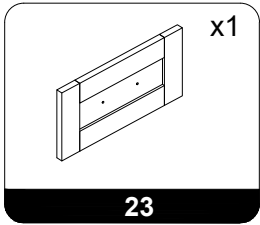
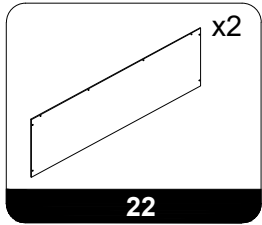
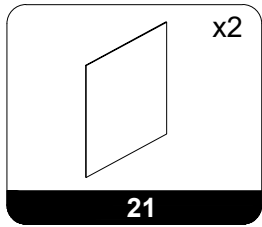
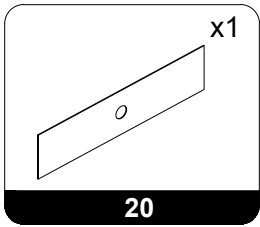
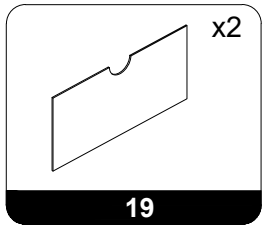
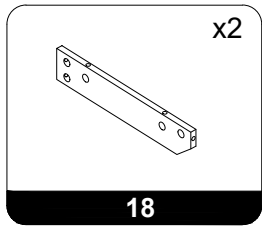
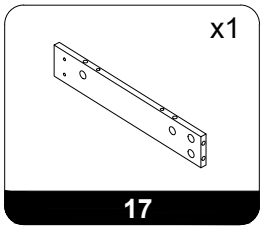
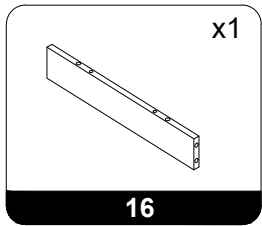
4

# PARTS

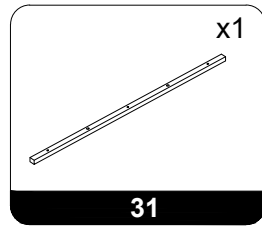


5

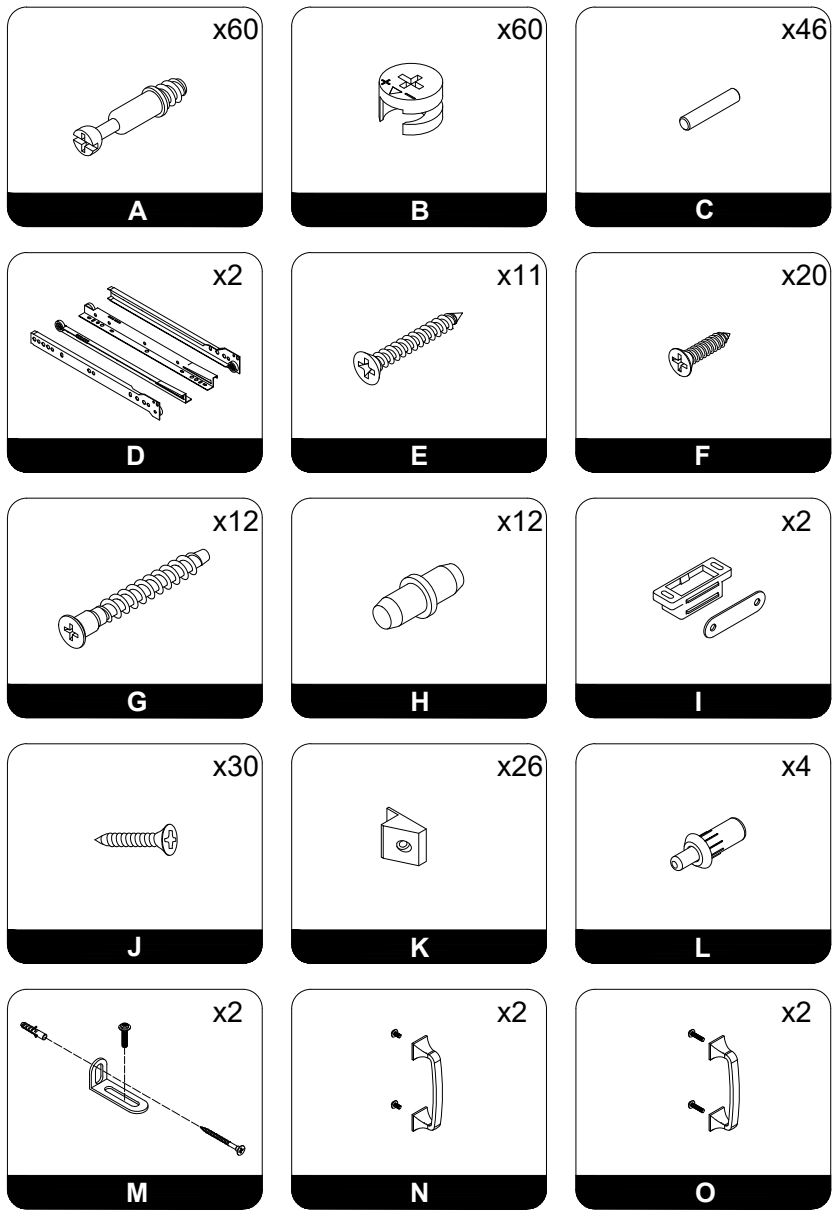
# PARTS



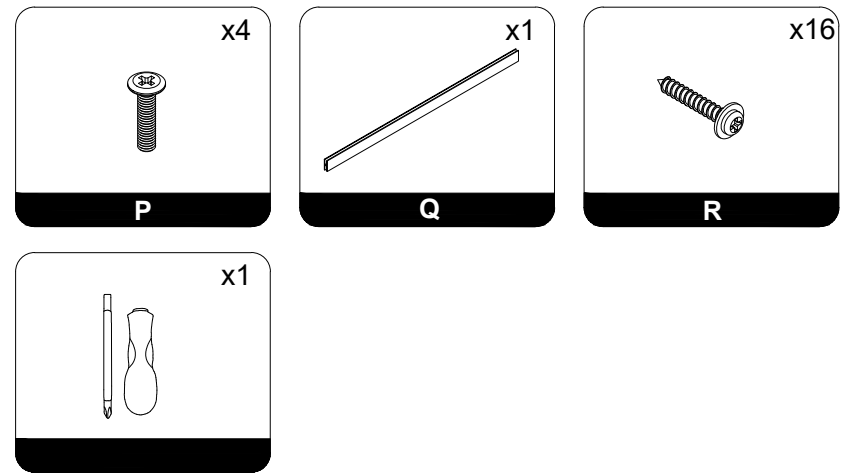
# PARTS



# HARDWARE



# HARDWARE

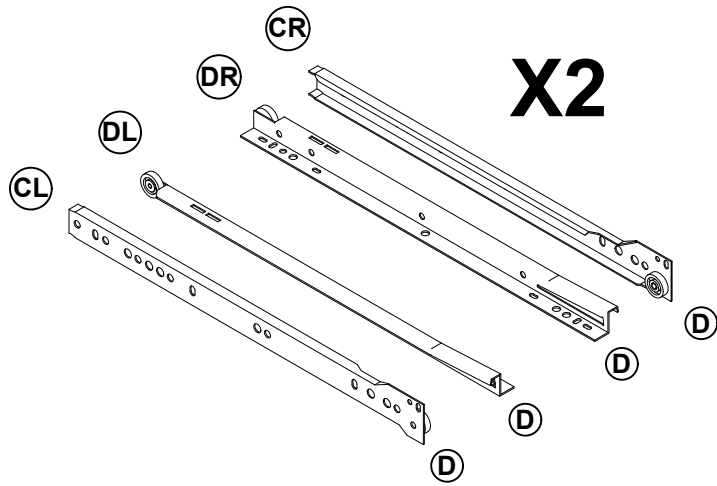
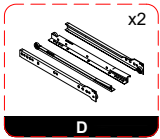


# ASSEMBLY INSTRUCTIONS

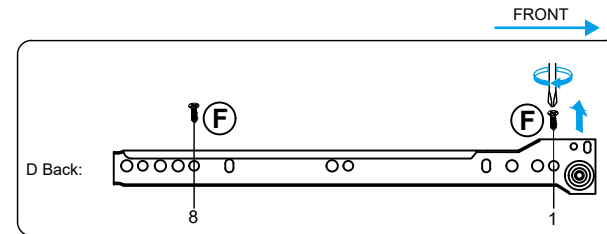
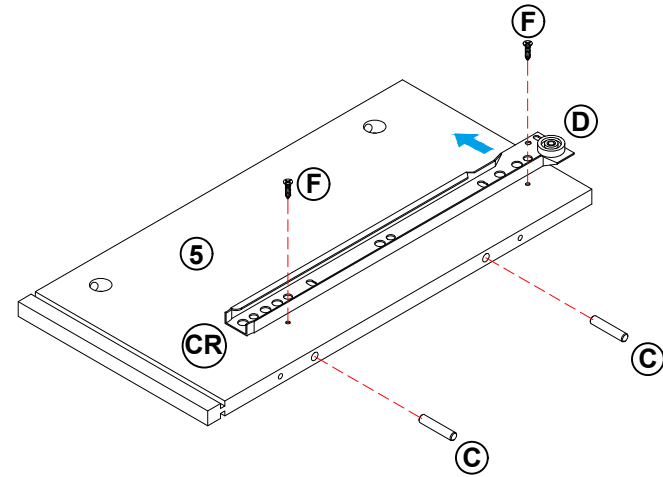
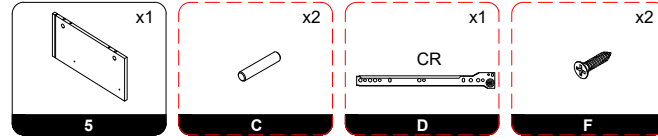


Do not tighten the screws until all of them are fastened into the holes.

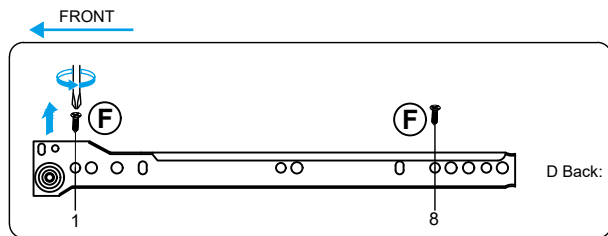
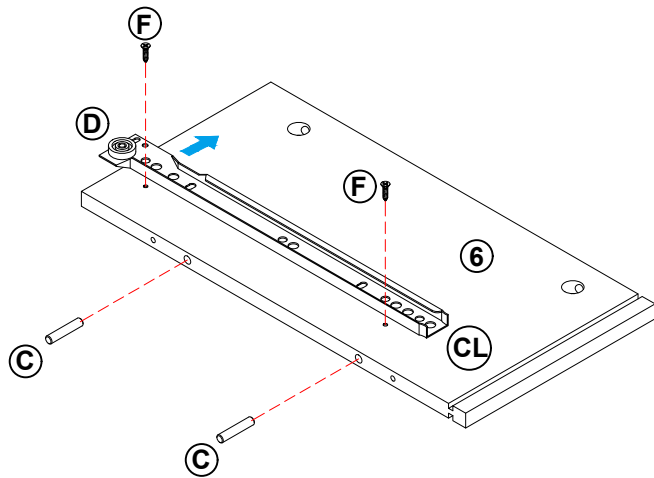
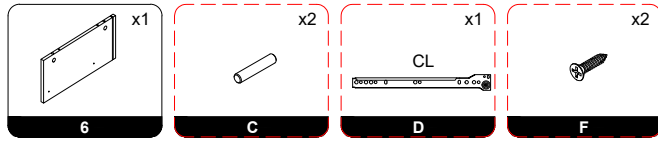
## STEP 1



## STEP 2

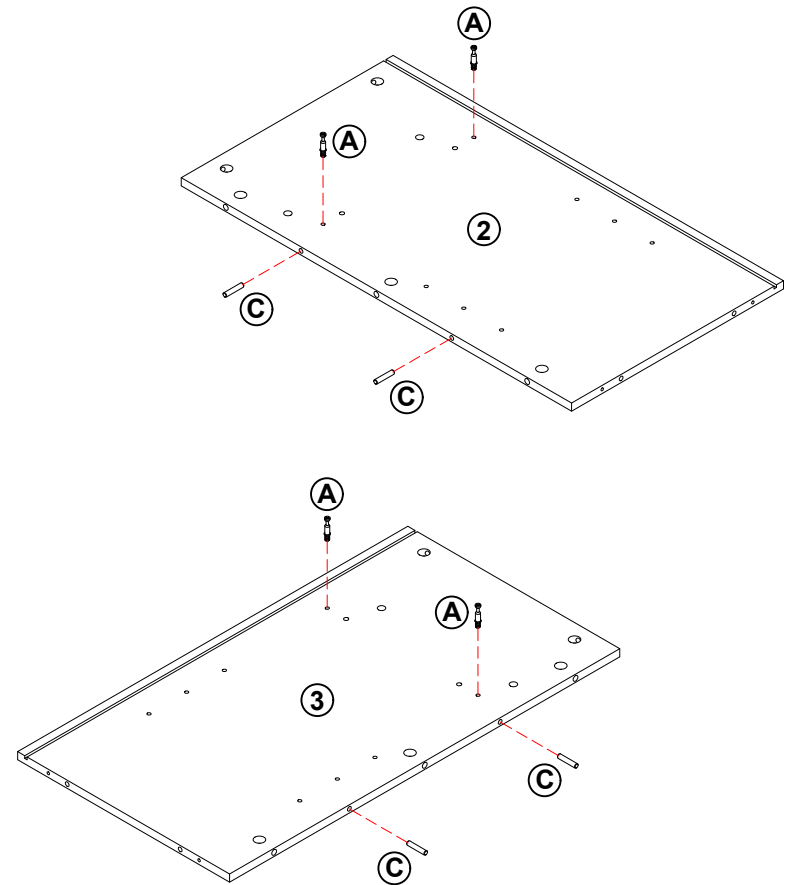
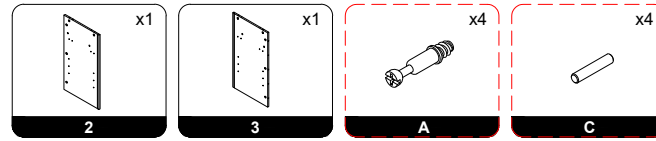


### STEP 3



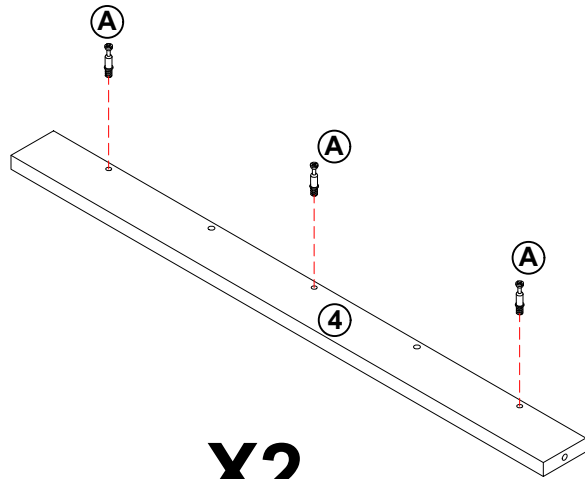
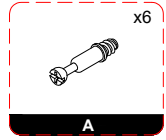
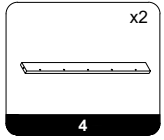
12

### STEP 4

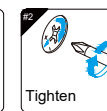
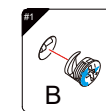
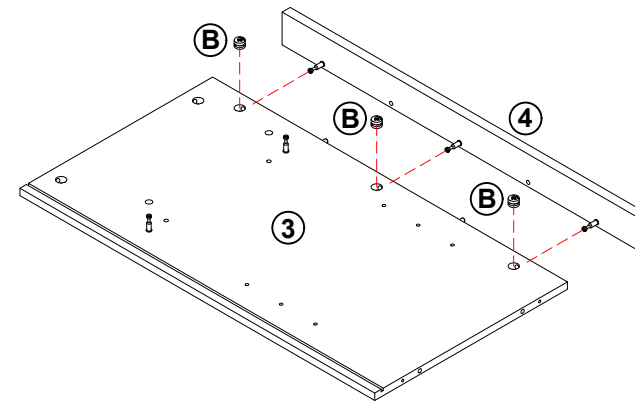
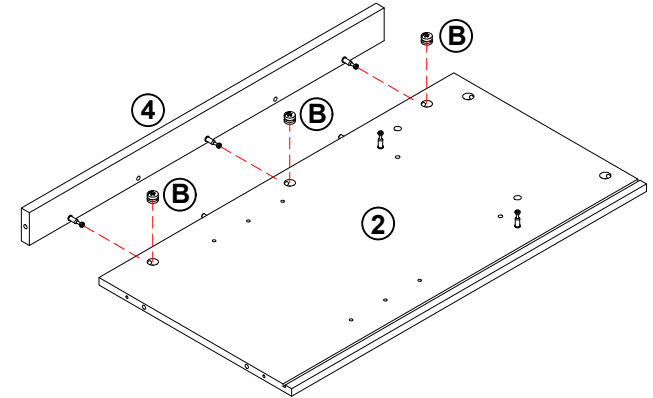
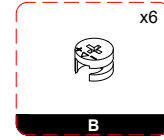


13

# STEP 5

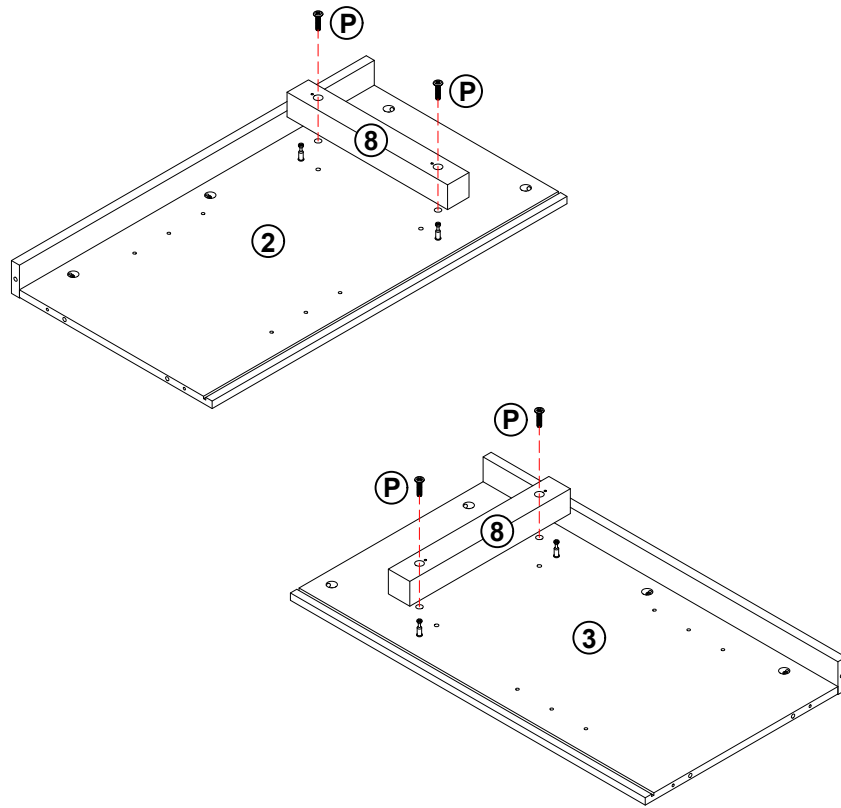
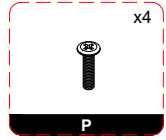
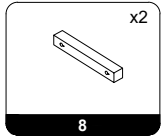


# STEP 6

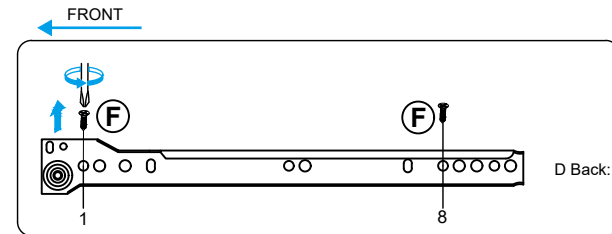
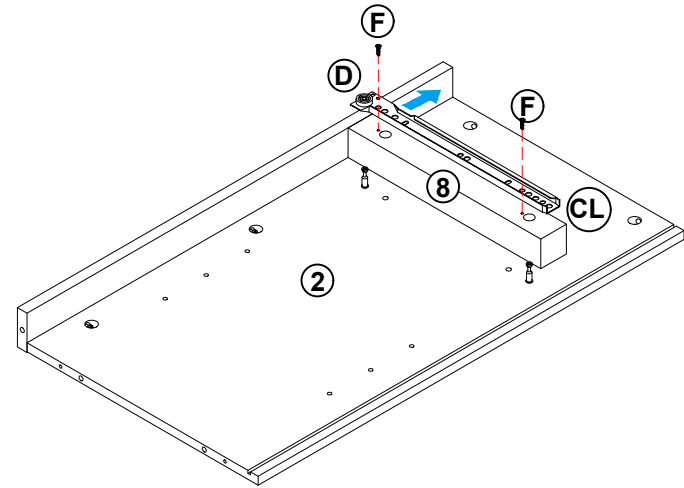
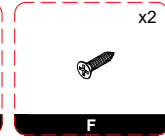
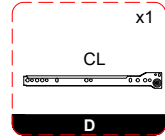


Note: the direction of the arrow.

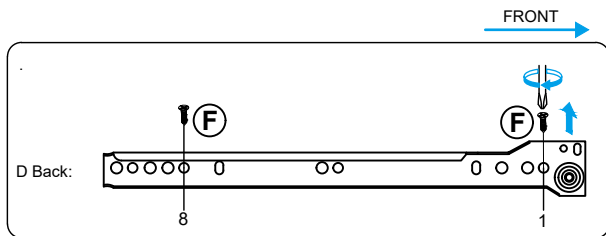
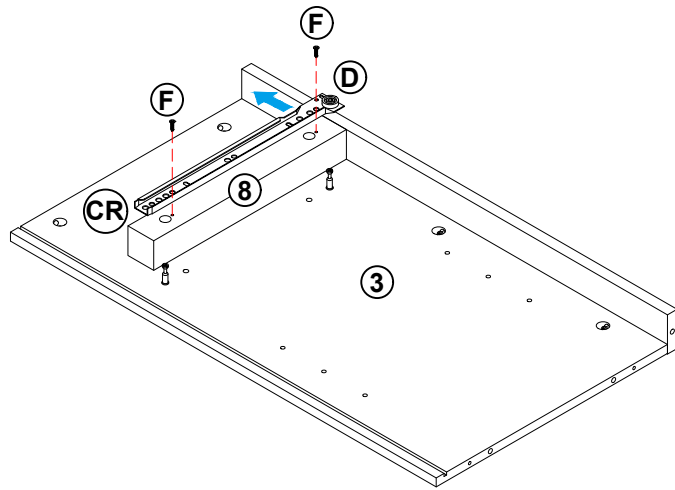
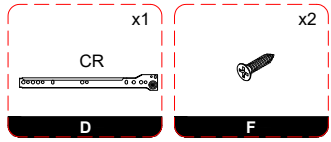
# STEP 7



# STEP 8

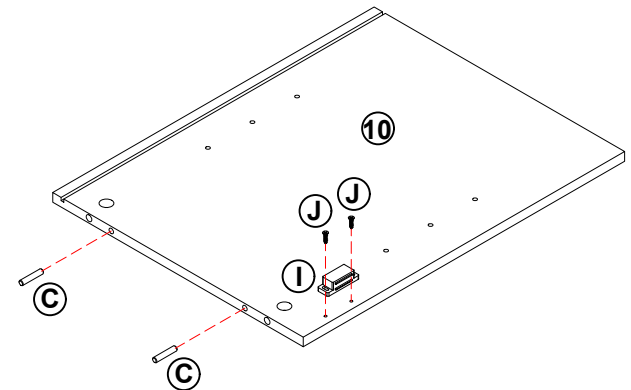
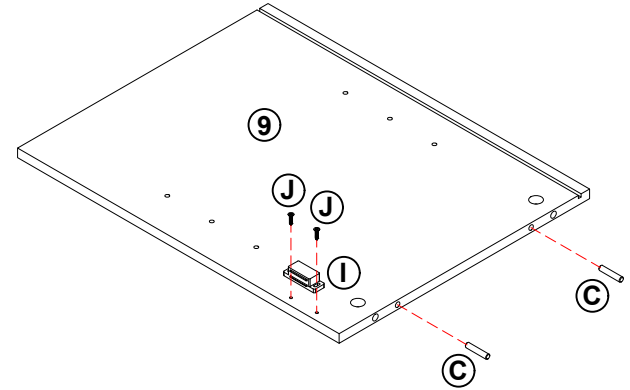
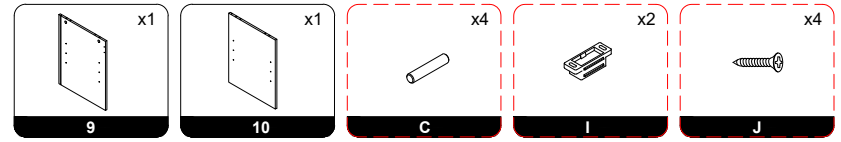


# STEP 9



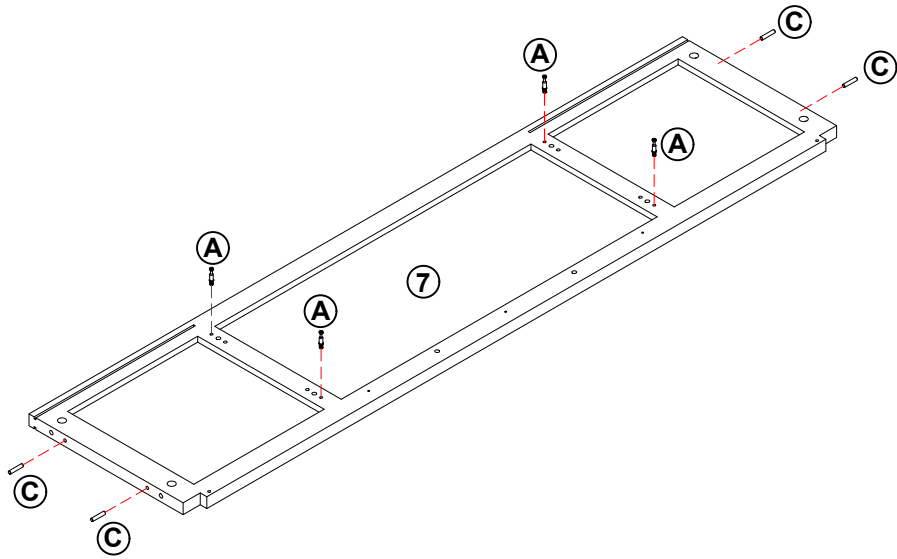
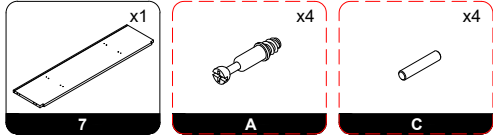
18

# STEP 10

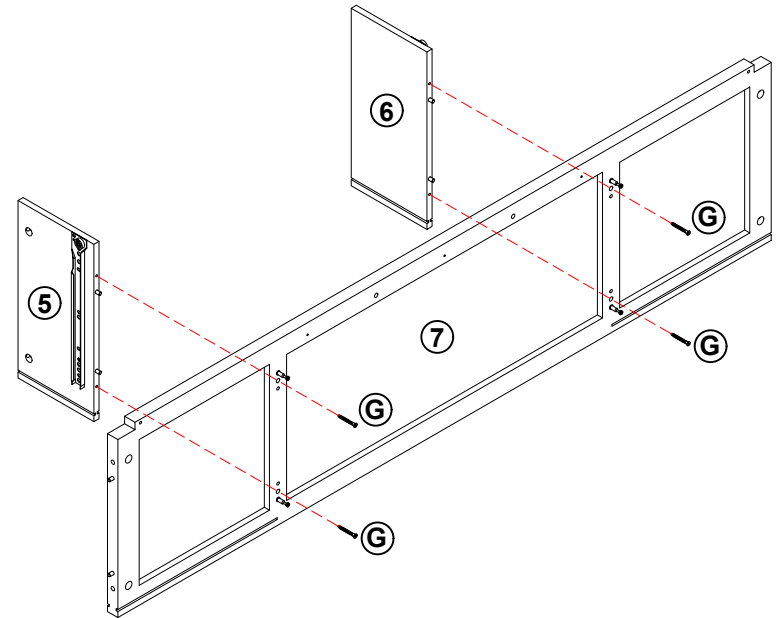
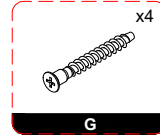


19

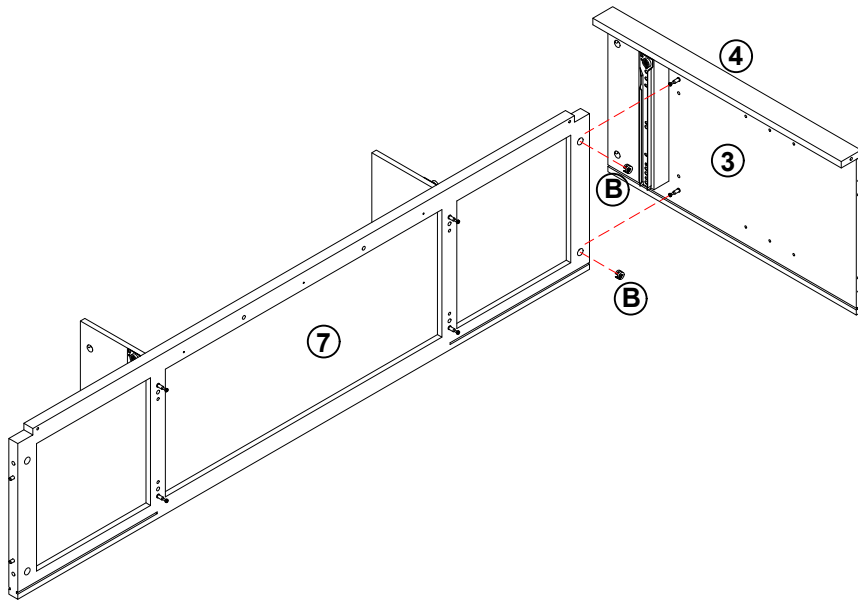
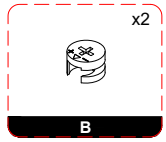
# STEP 11



# STEP 12

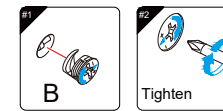
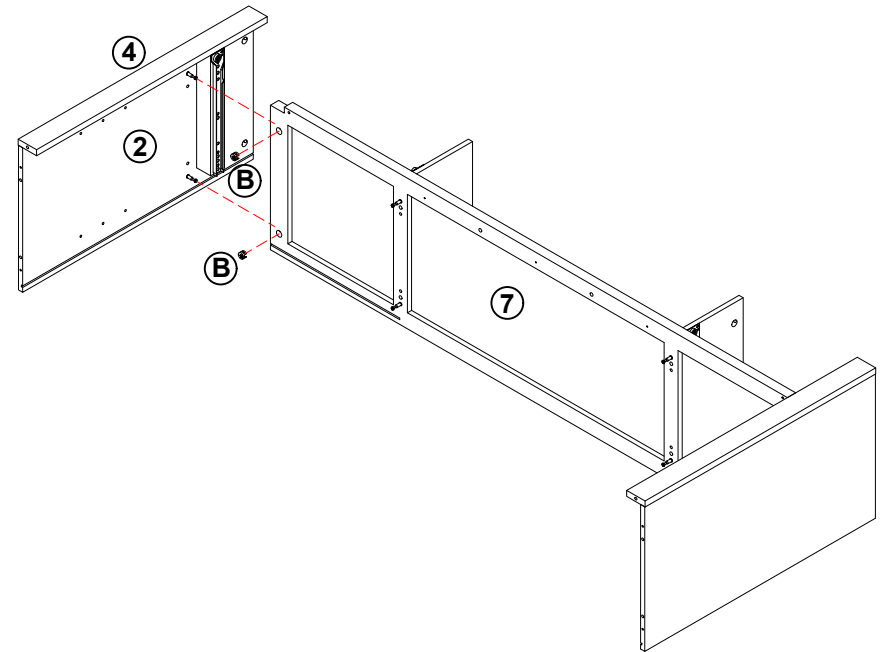
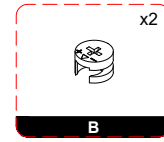


# STEP 13



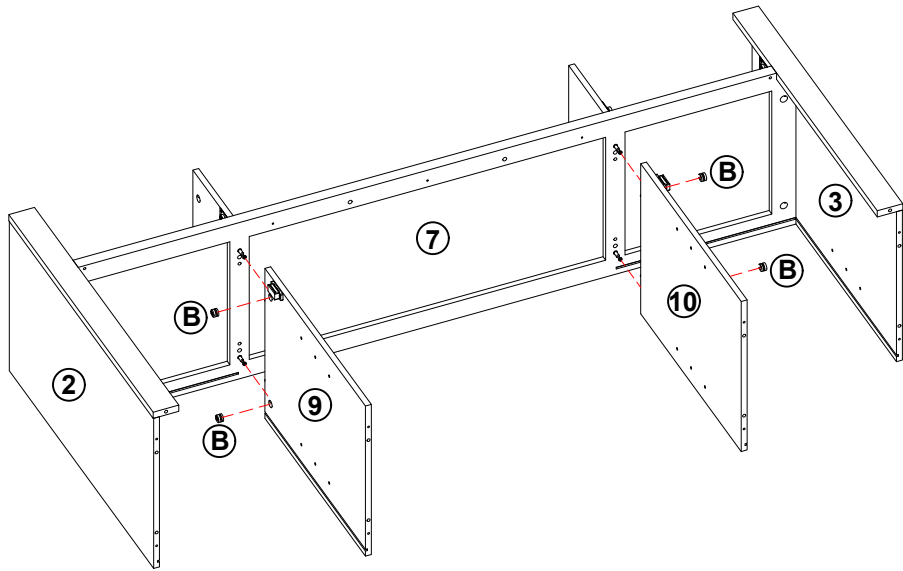
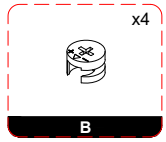
Note: the direction of the arrow.

# STEP 14

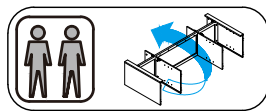
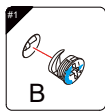
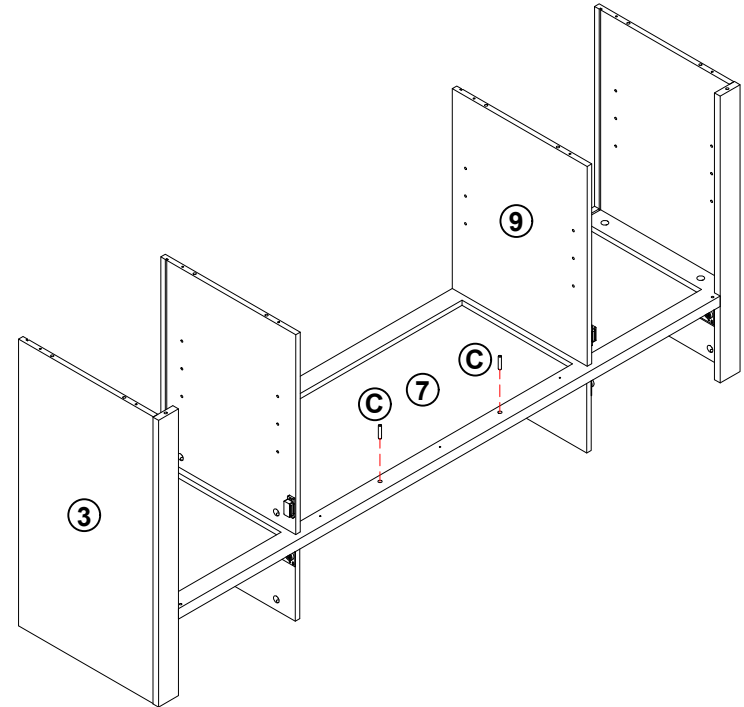
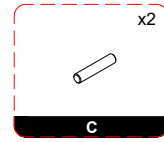


Note: the direction of the arrow.

# STEP 15

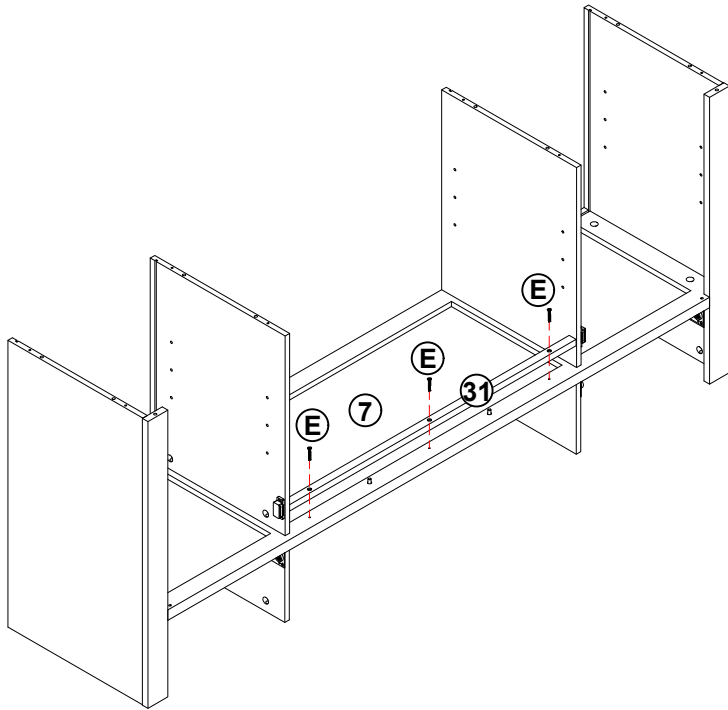
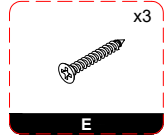
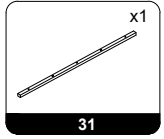


# STEP 16



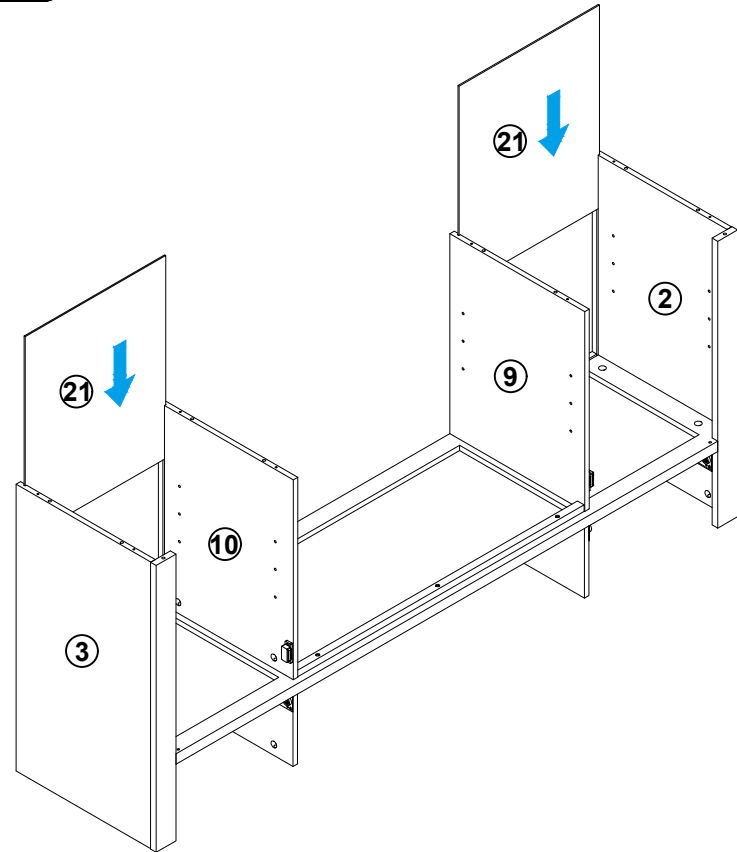
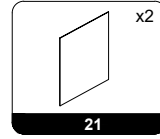
Note: the direction of the arrow.

## STEP 17



26

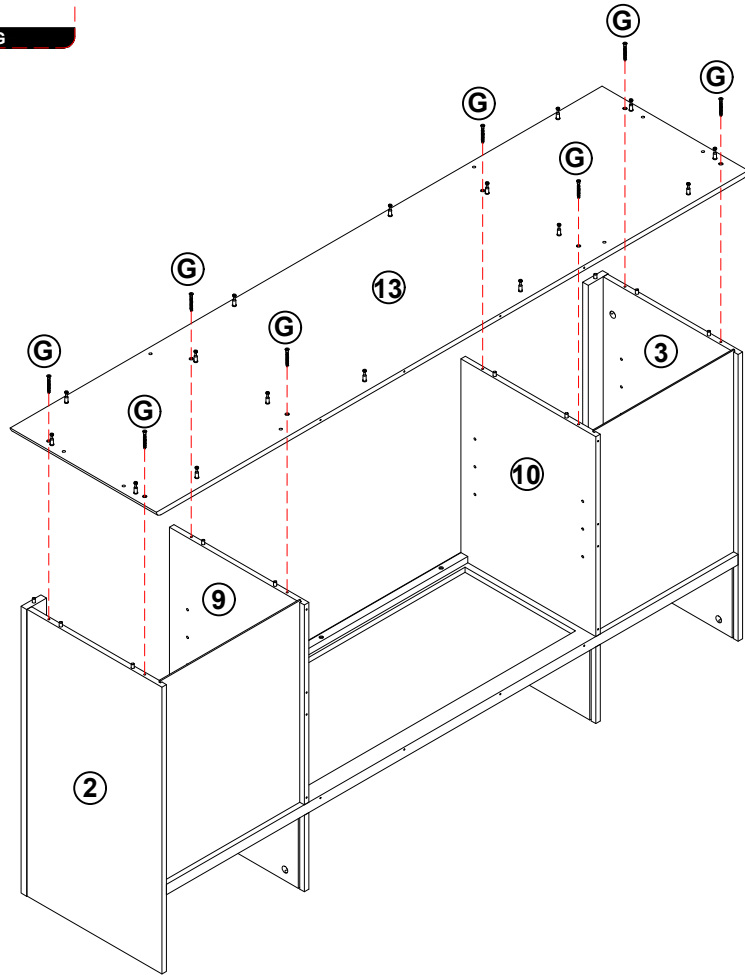
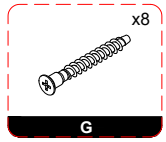
## STEP 18



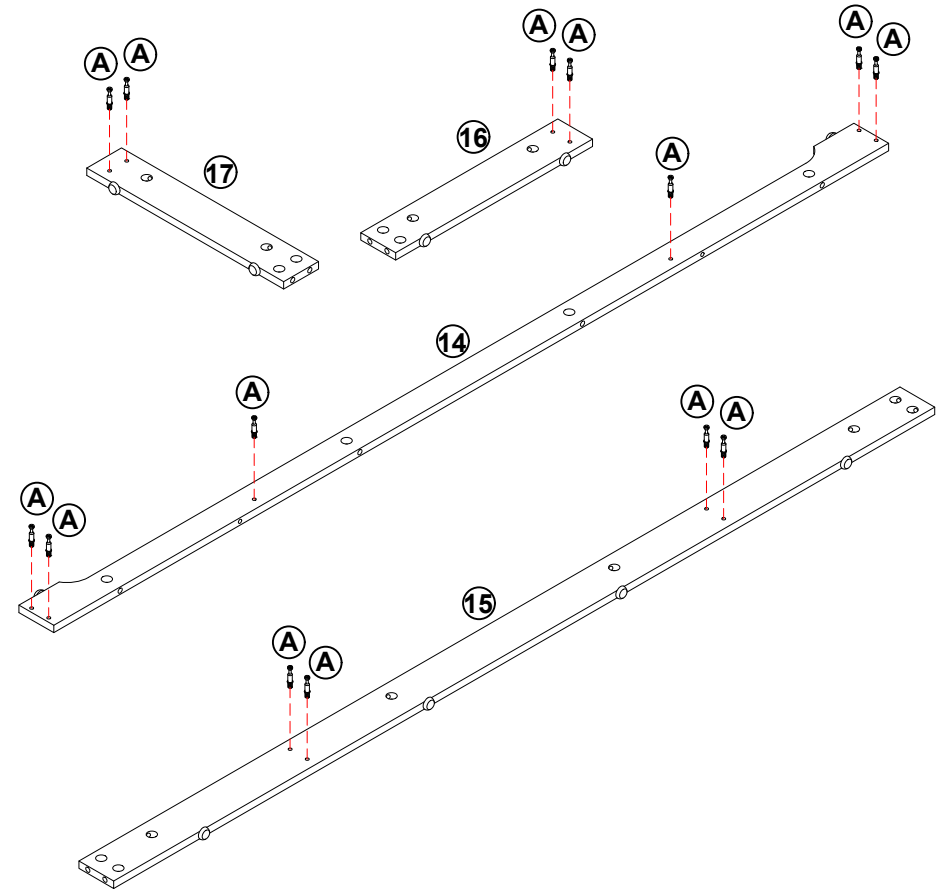
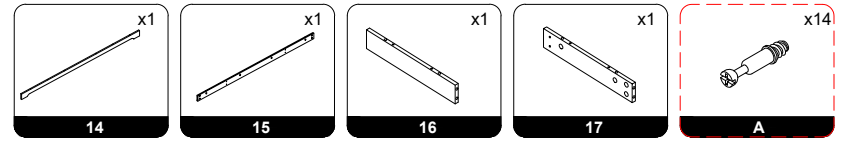
27



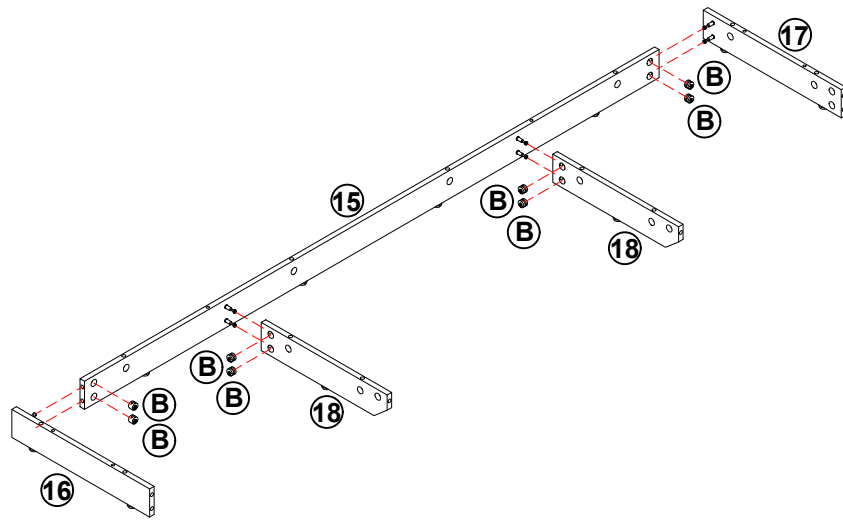
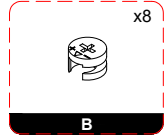
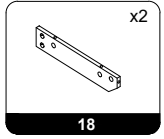
# STEP 21



# STEP 22



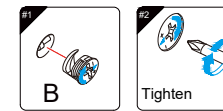
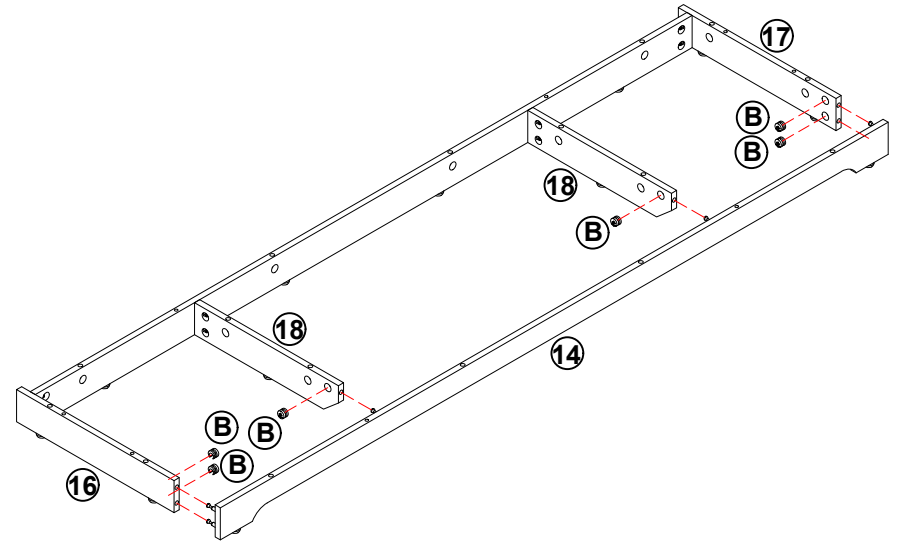
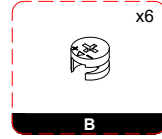
# STEP 23



Note: the direction of the arrow.

32

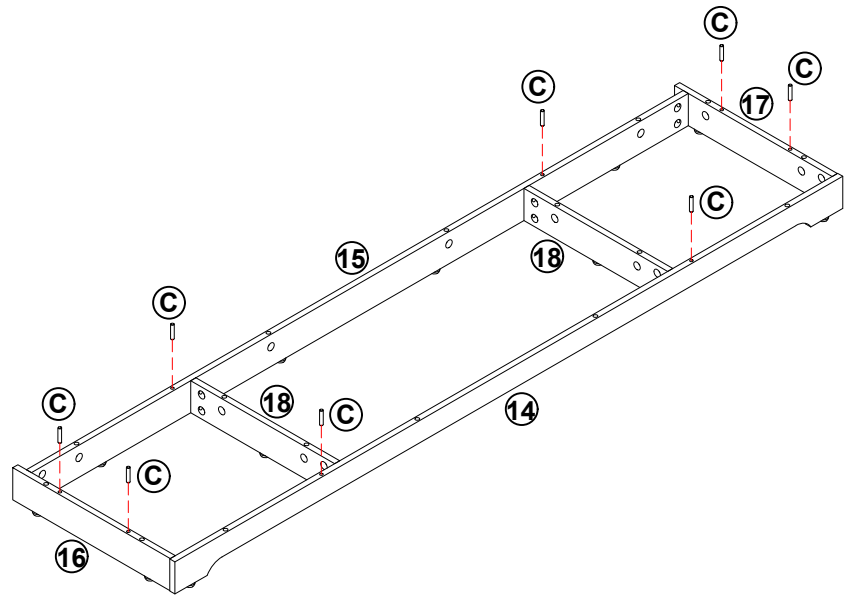
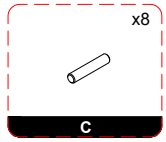
# STEP 24



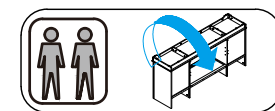
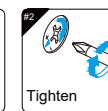
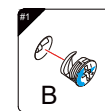
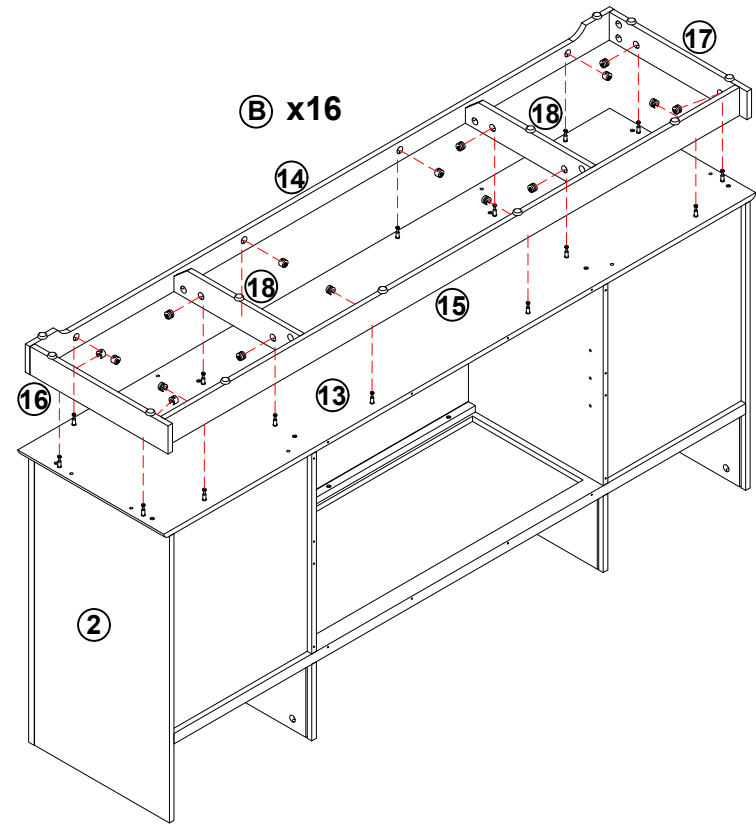
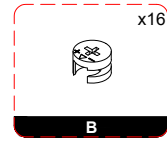
Note: the direction of the arrow.

33

# STEP 25

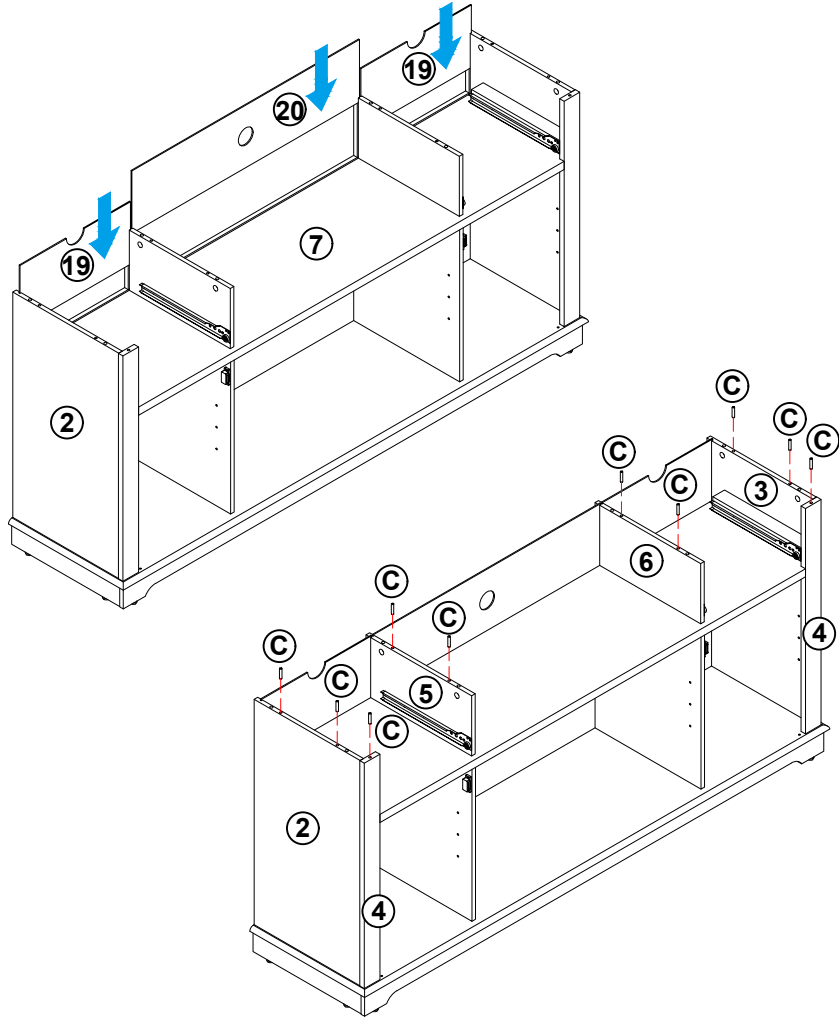
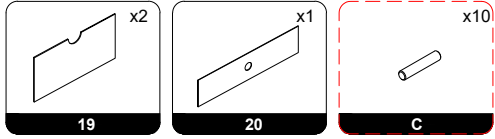


# STEP 26



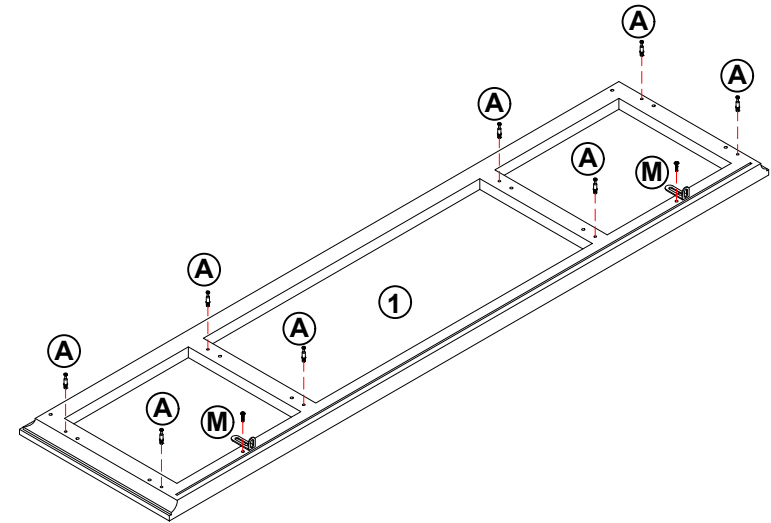
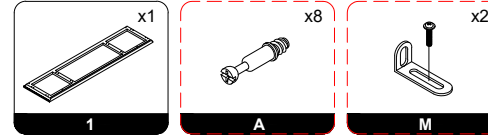
Note: the direction of the arrow.

## STEP 27



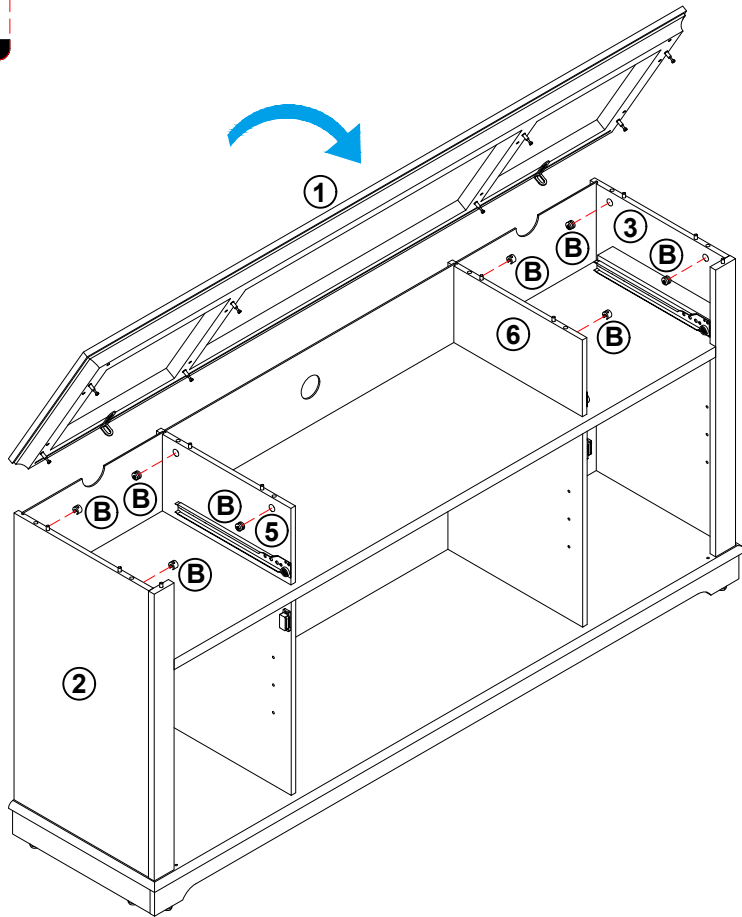
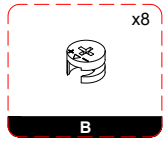
36

## STEP 28



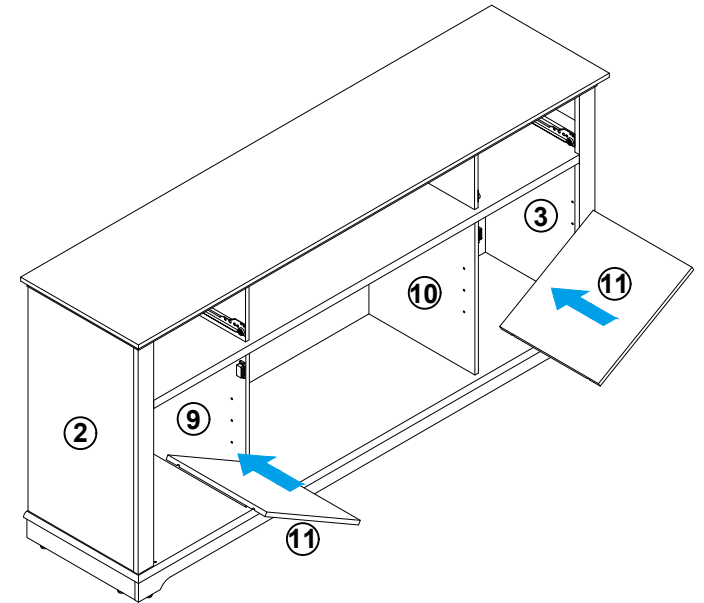
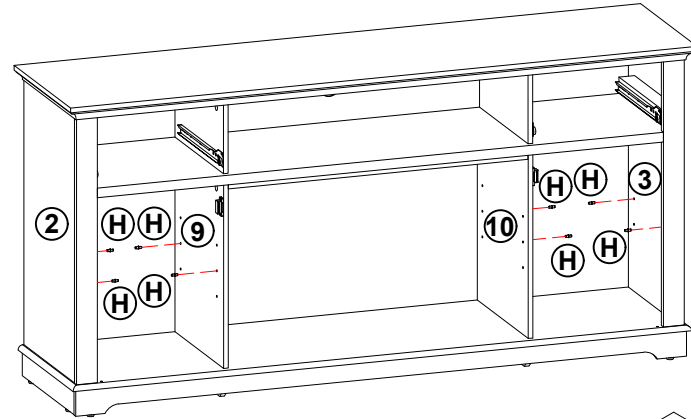
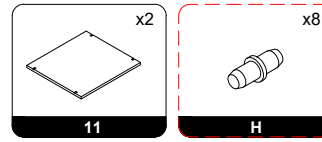
37

# STEP 29

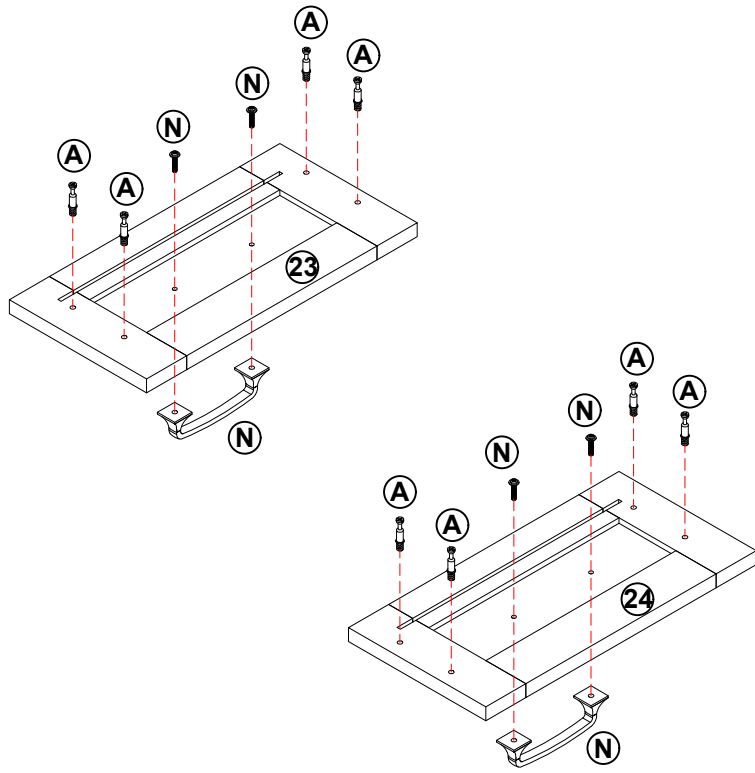
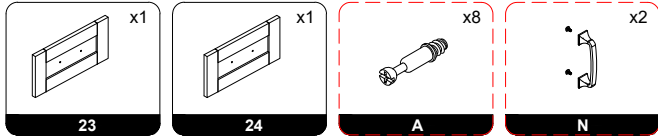


Note: the direction of the arrow.

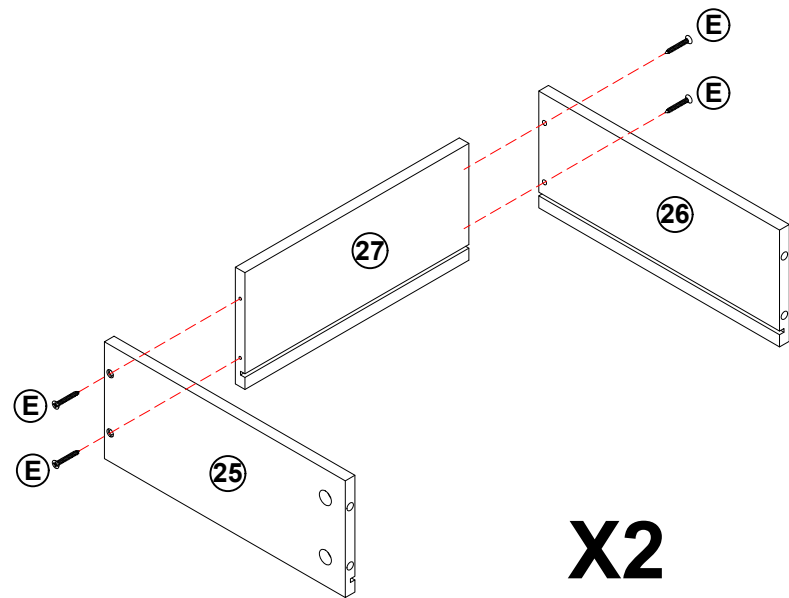
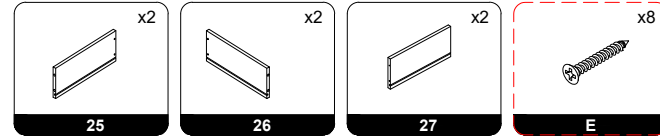
# STEP 30



# STEP 31

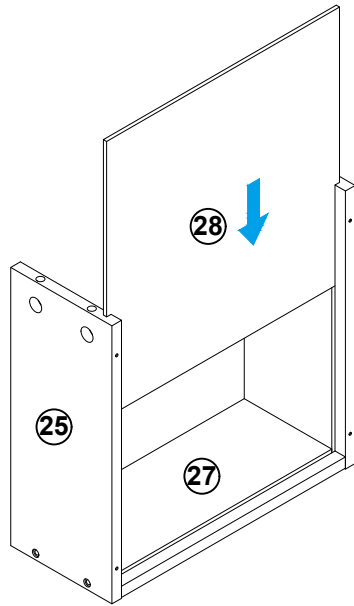
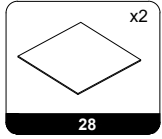


# STEP 32



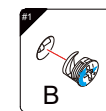
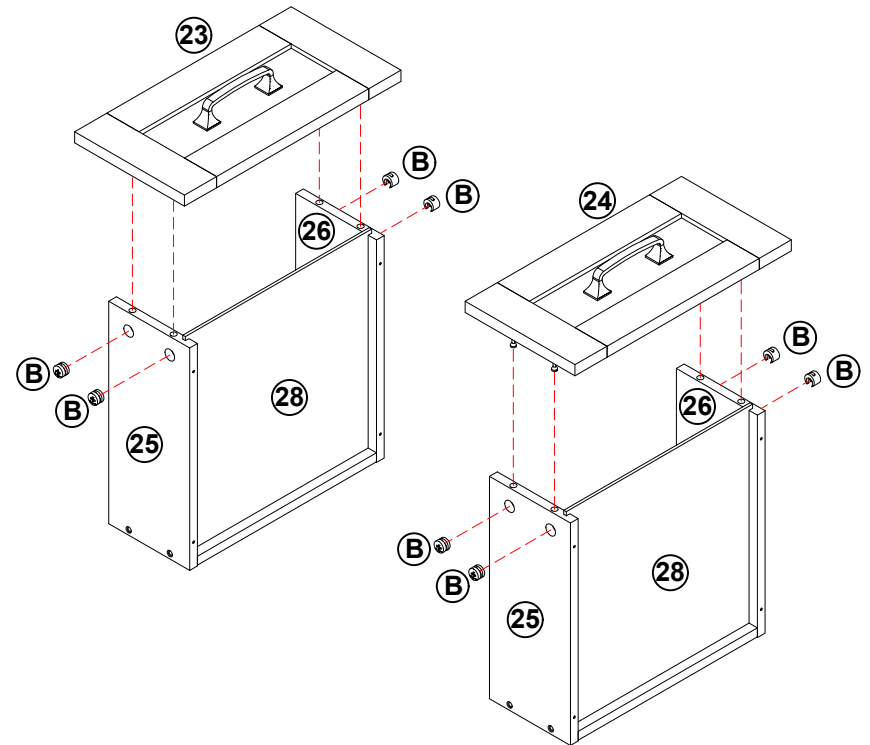
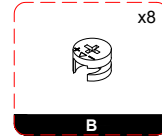
**X2**

# STEP 33



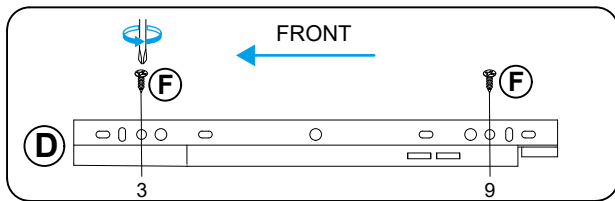
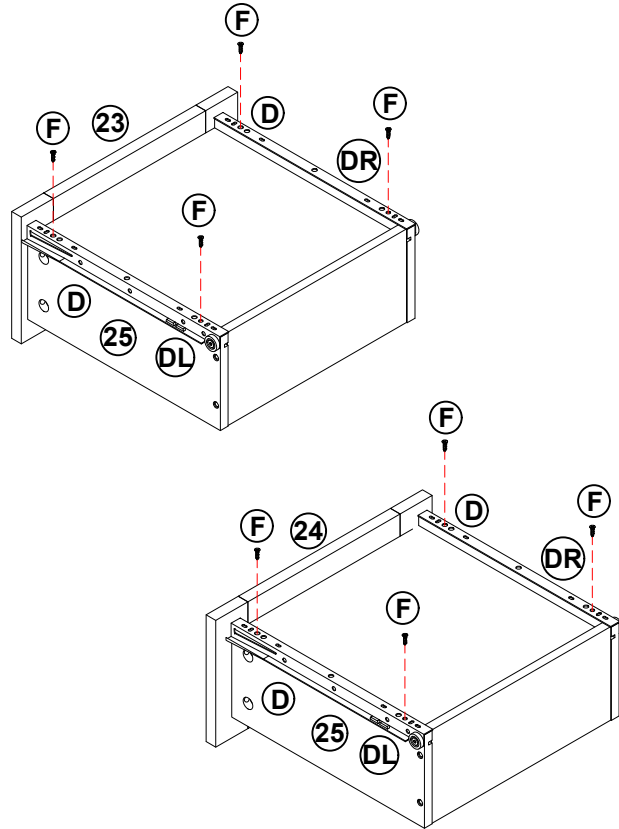
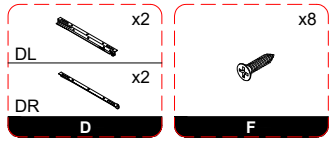
**X2**

# STEP 34



Note: the direction of the arrow.

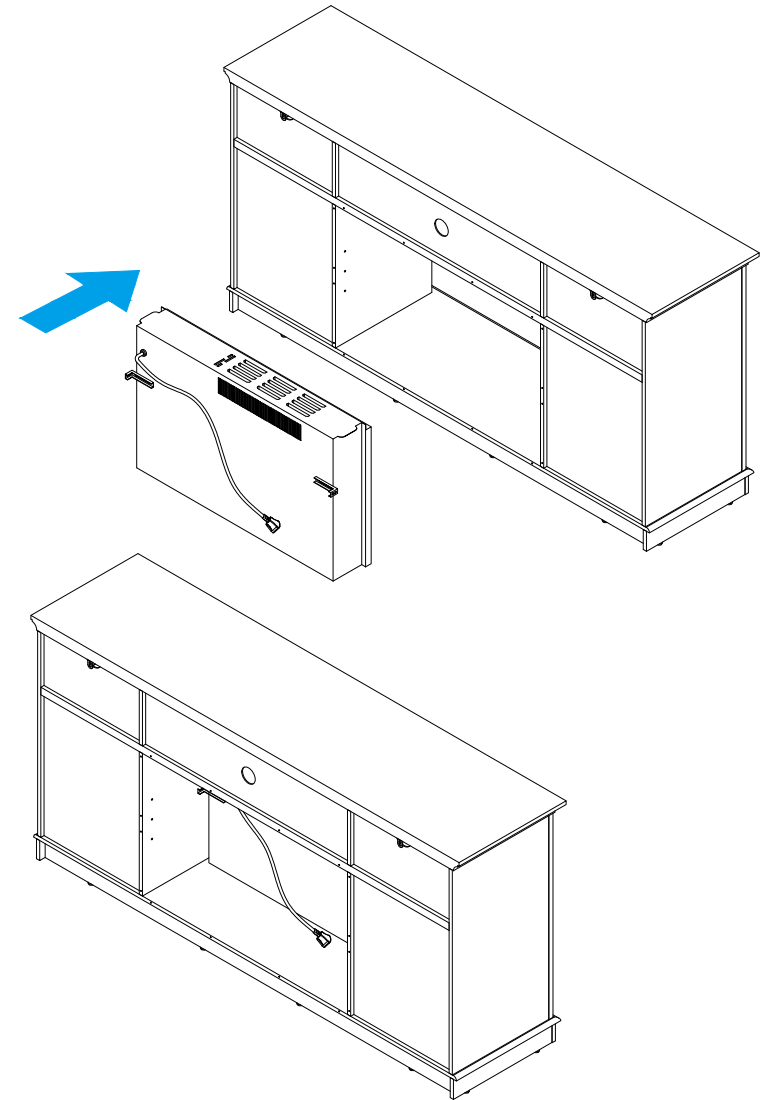
# STEP 35



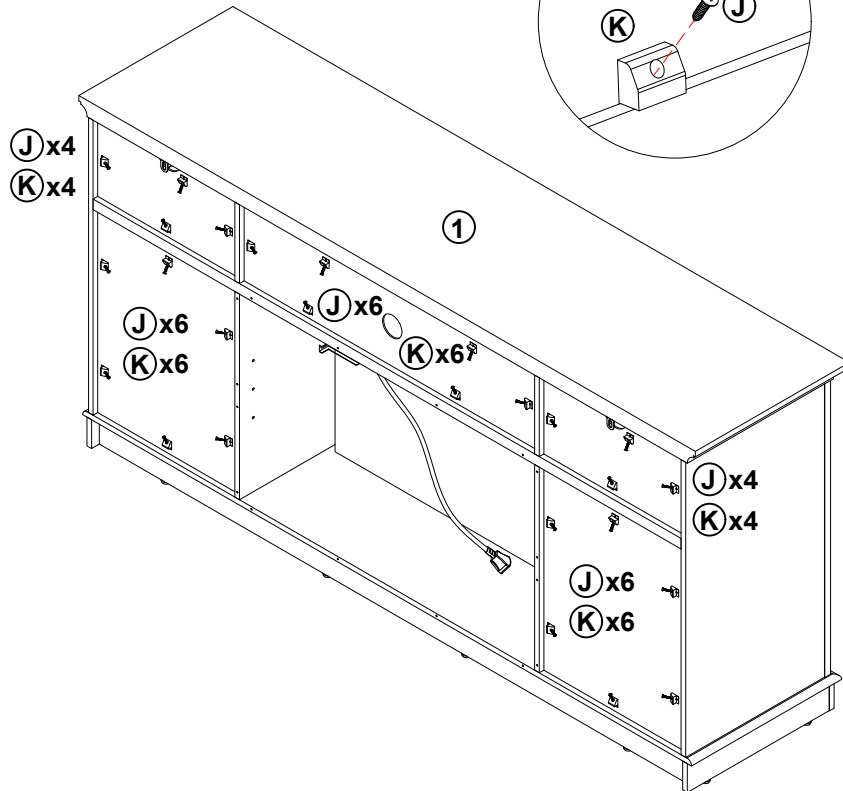
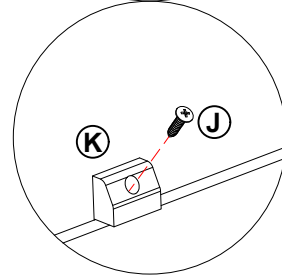
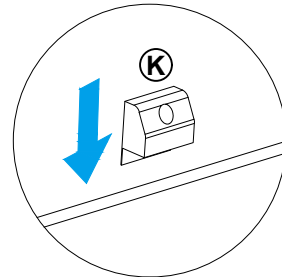
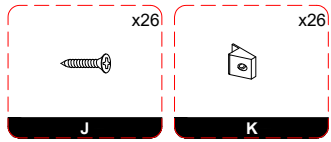
Note! Please select the subsequent installation steps based on the version you purchased:

1. Install the fireplace TV stand (from STEP 36 to STEP 41)
2. Install the TV stand (from STEP 42 to STEP 48)

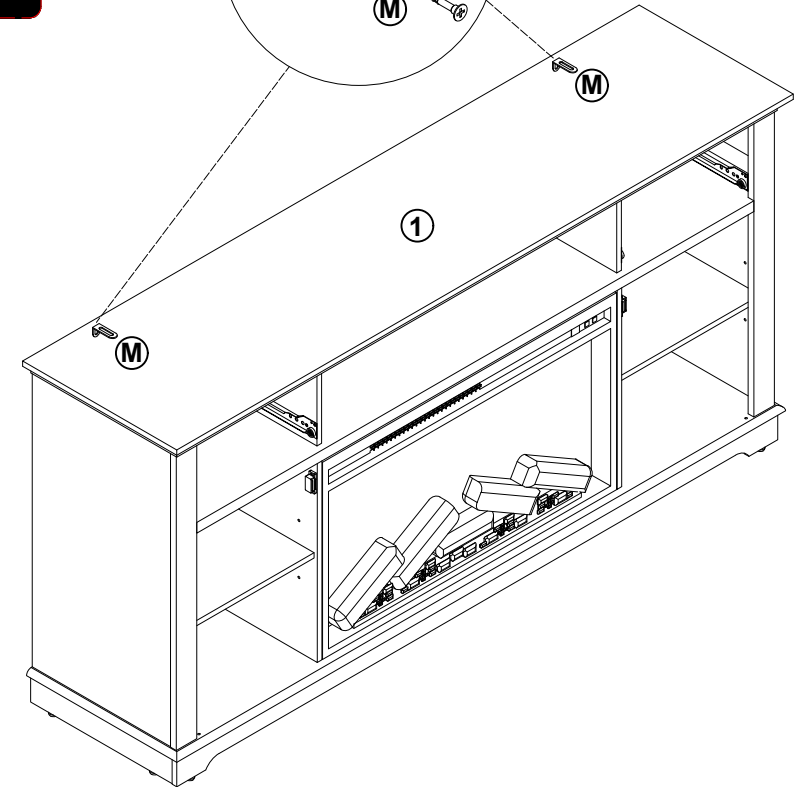
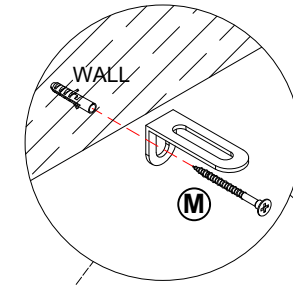
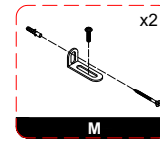
# STEP 36



## STEP 37



## STEP 38



## Wall Mounting Instructions

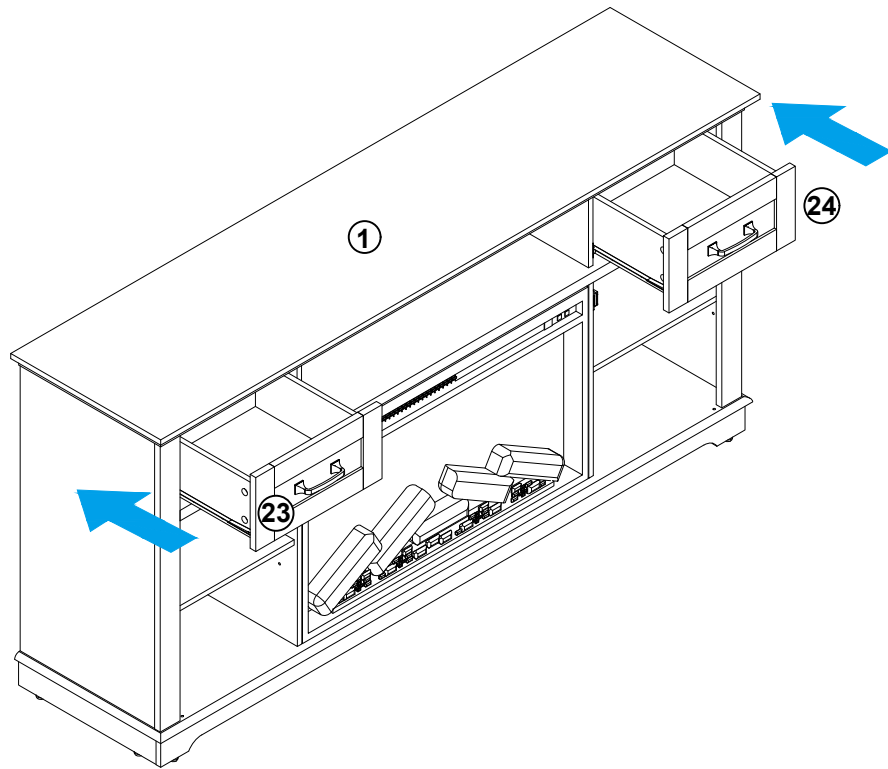
**⚠ CAUTION — Risk of Furniture Tip-Over. Always anchor this furniture securely to the wall.**

- Using the screws provided and a screwdriver, secure the mounting plate(s) to the back of the product .
- Noting the location of the product's mounting plate(s), mark the corresponding positions on the wall for the wall-mounted plate(s).  
Drill pilot holes at the marked locations into a wall stud.

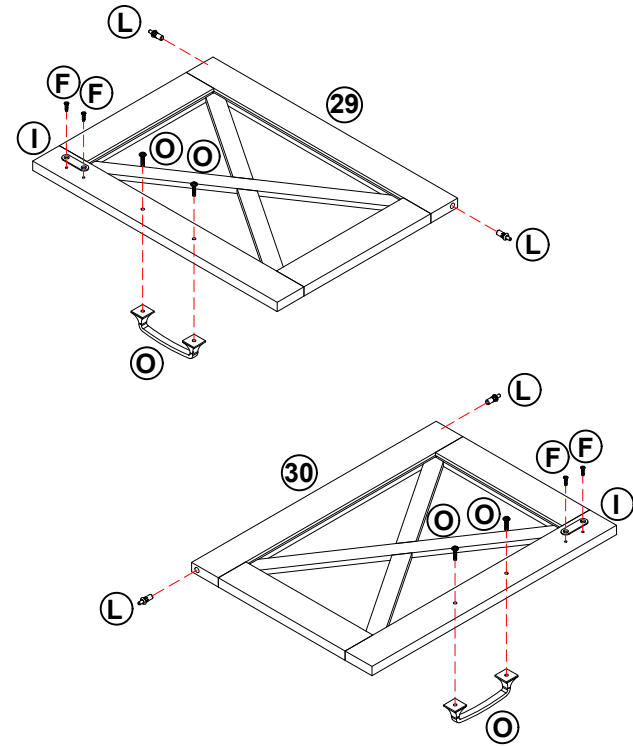
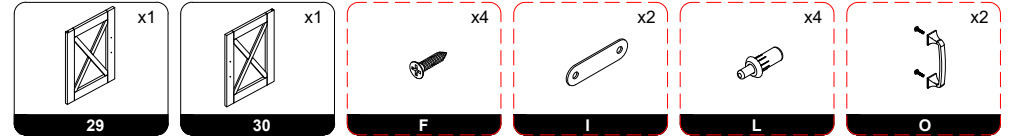
**NOTE:**if wall studs are not available, drill holes slightly smaller than the drywall anchors. Insert each anchor until its flange is flush with the wall.

- Using a screwdriver, secure the mounting bracket(s) to the wall stud or to the drywall anchors using the screws provided.
- Place the product in its final position. Secure one end of the "L"-shaped anti-tip hardware to the wall mounting hole and the product mounting plate, adjusting to remove any slack. Do not overtighten.

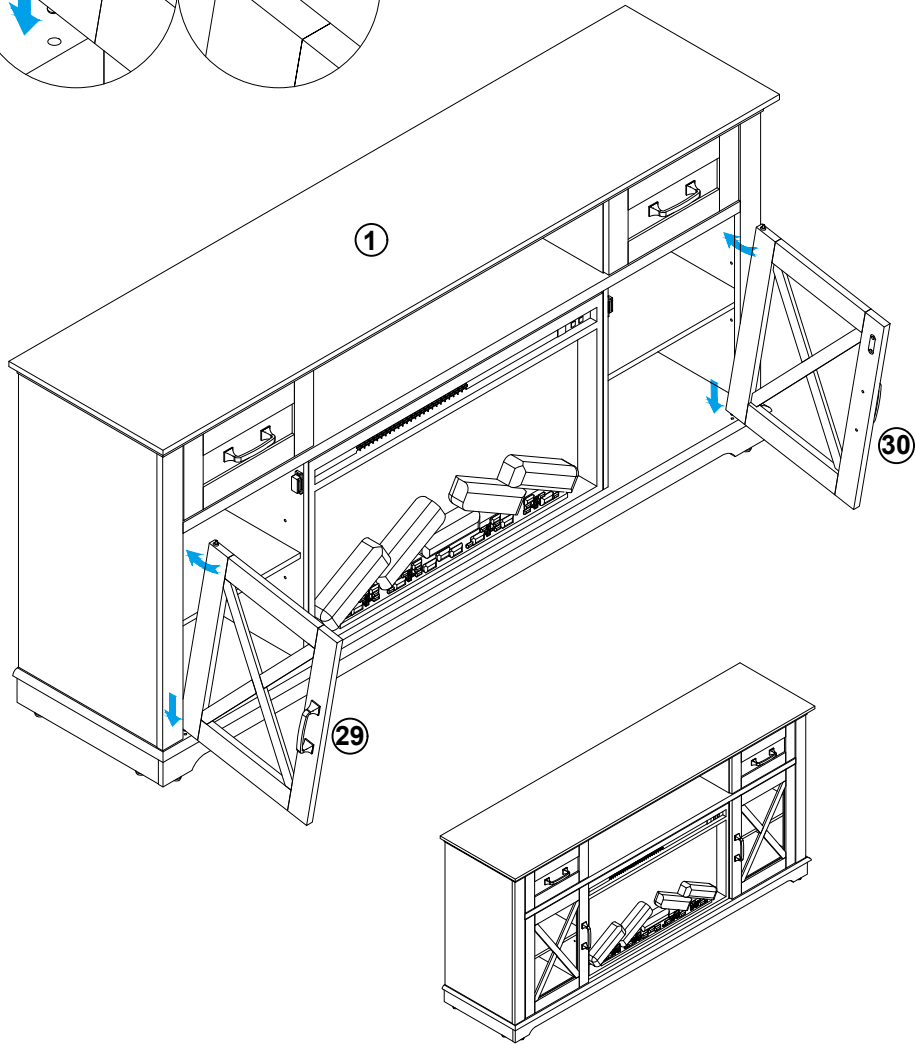
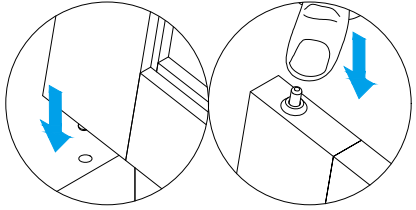
# STEP 39



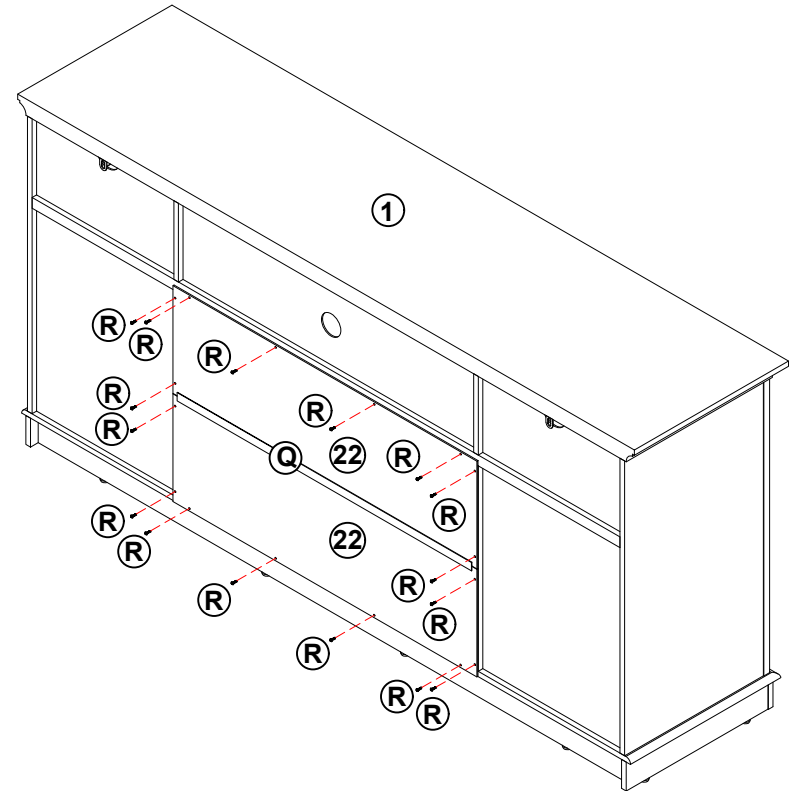
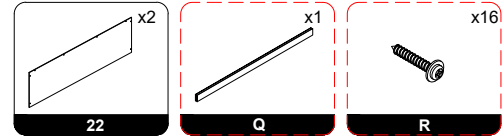
# STEP 40



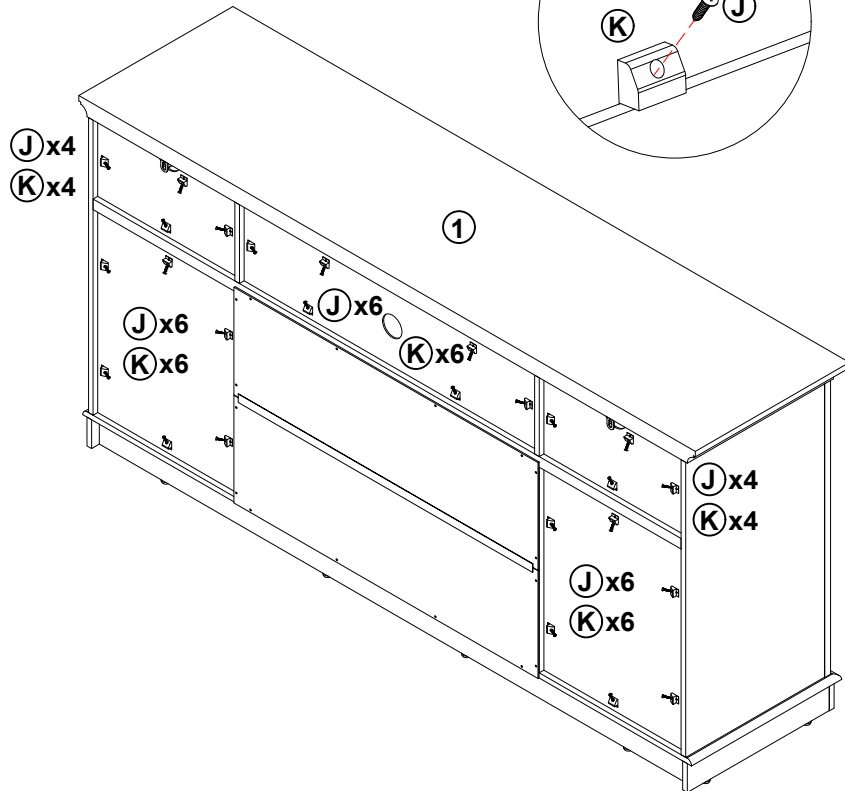
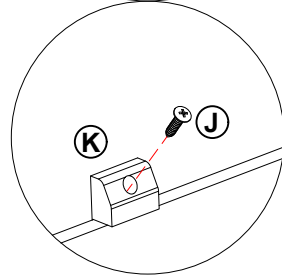
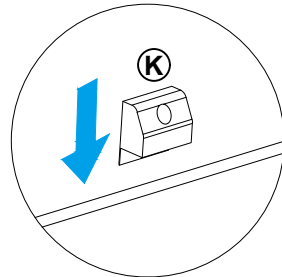
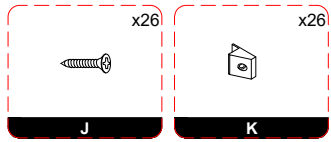
# STEP 41



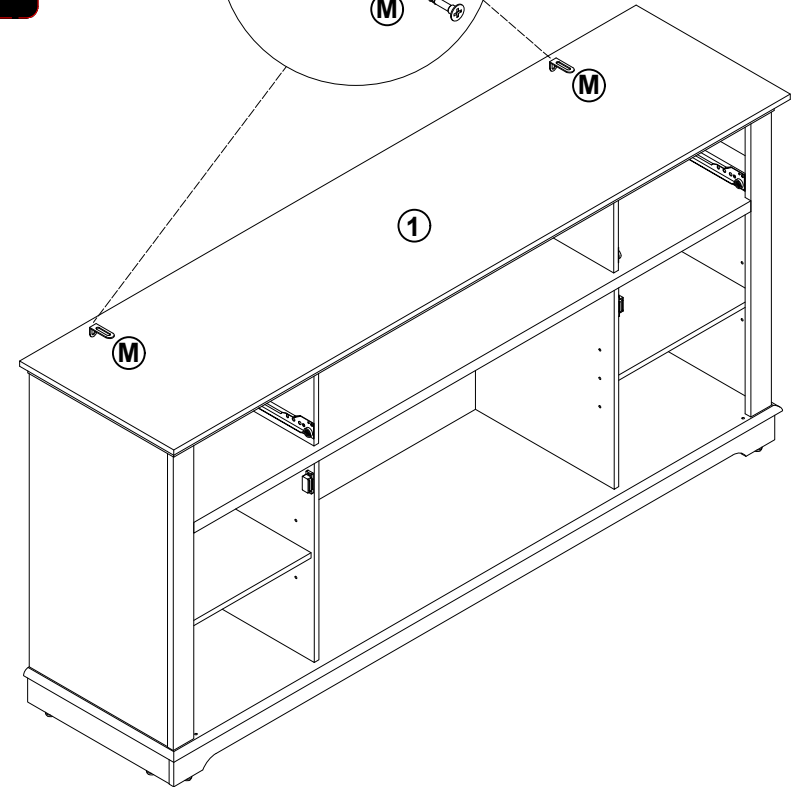
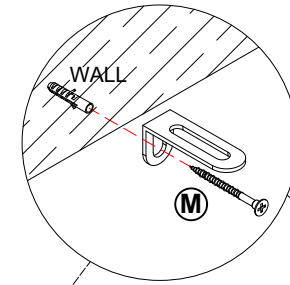
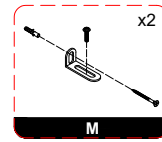
# STEP 42



## STEP 43



## STEP 44



## Wall Mounting Instructions

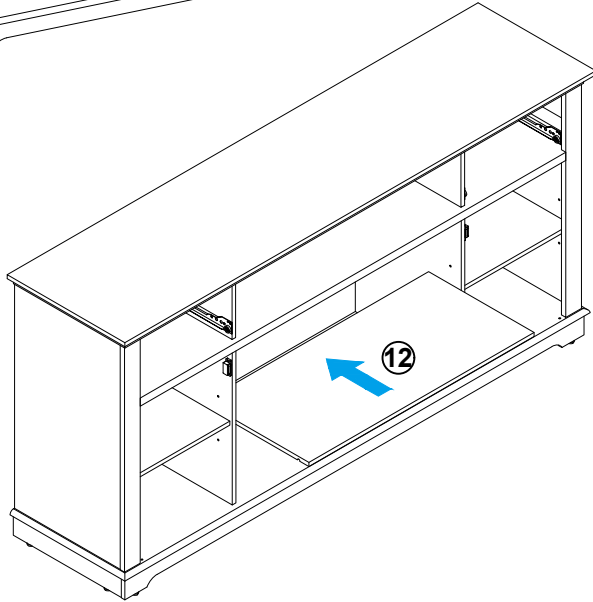
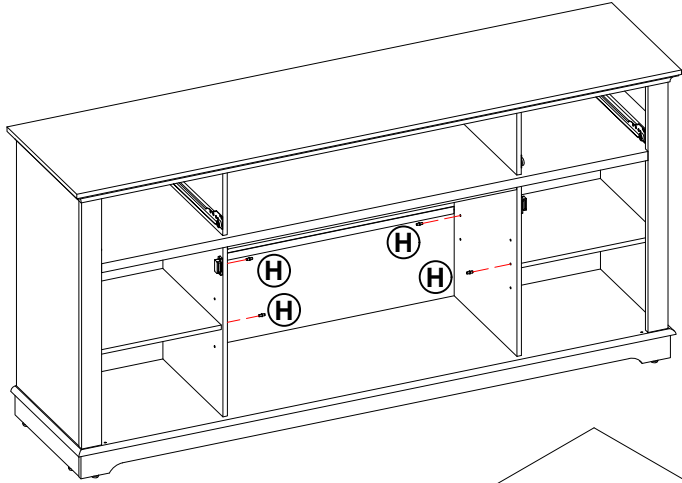
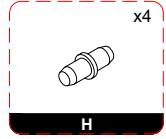
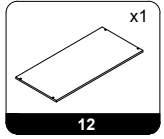
**⚠ CAUTION — Risk of Furniture Tip-Over. Always anchor this furniture securely to the wall.**

- Using the screws provided and a screwdriver, secure the mounting plate(s) to the back of the product .
- Noting the location of the product's mounting plate(s), mark the corresponding positions on the wall for the wall-mounted plate(s).  
Drill pilot holes at the marked locations into a wall stud.

**NOTE:** If wall studs are not available, drill holes slightly smaller than the drywall anchors. Insert each anchor until its flange is flush with the wall.

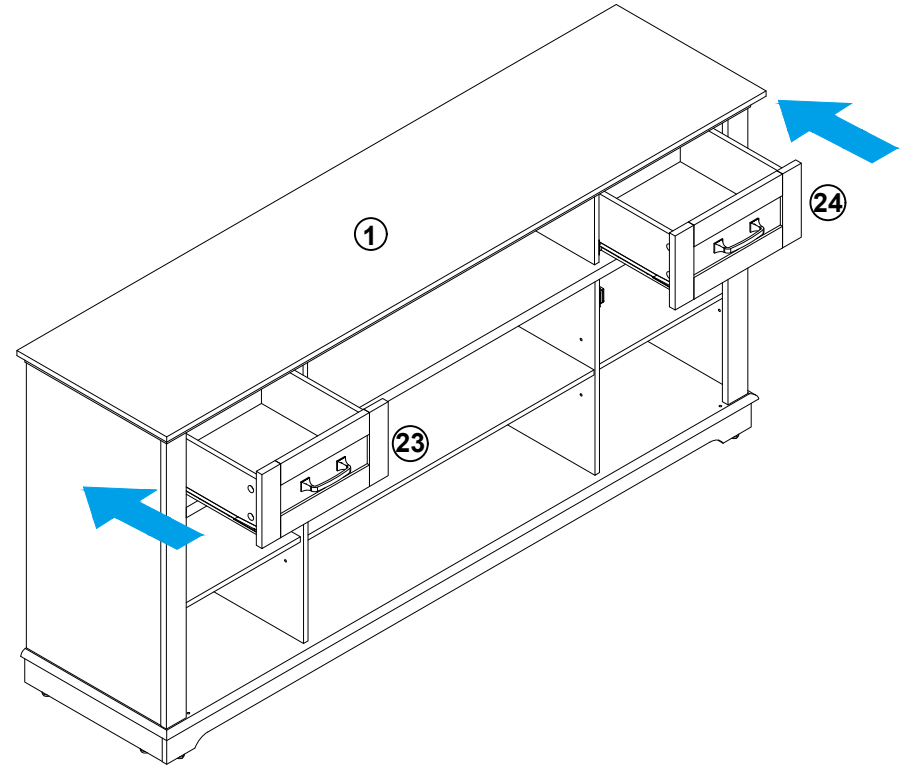
- Using a screwdriver, secure the mounting bracket(s) to the wall stud or to the drywall anchors using the screws provided.
- Place the product in its final position. Secure one end of the "L"-shaped anti-tip hardware to the wall mounting hole and the product mounting plate, adjusting to remove any slack. Do not overtighten.

# STEP 45



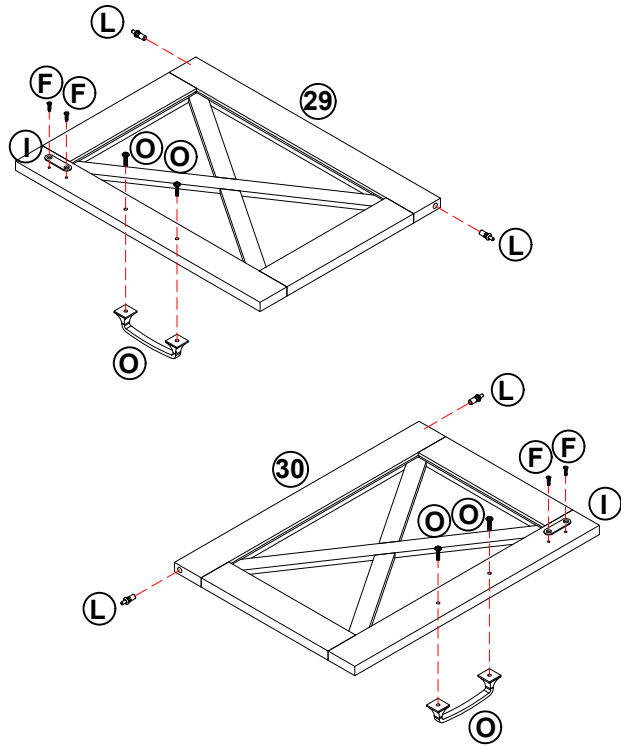
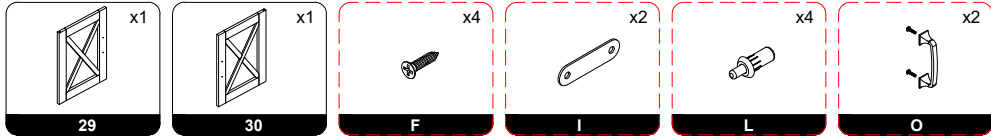
54

# STEP 46

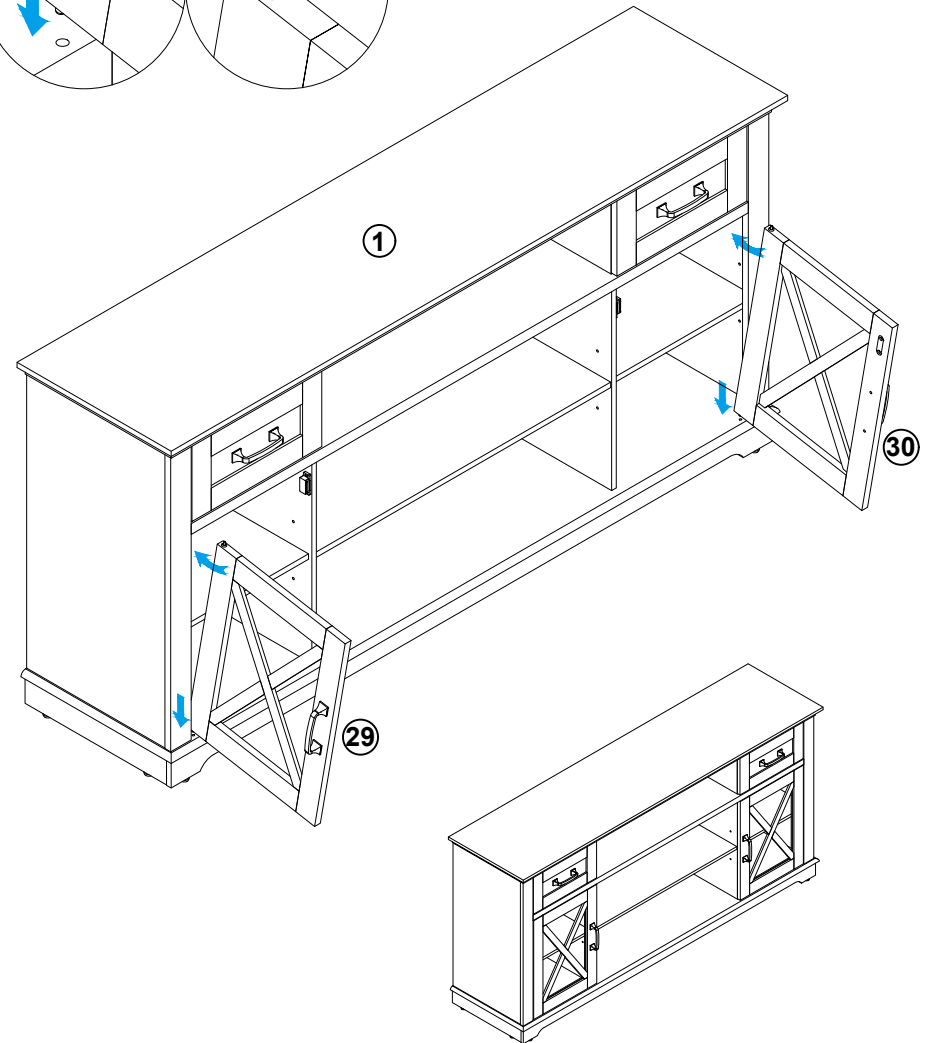
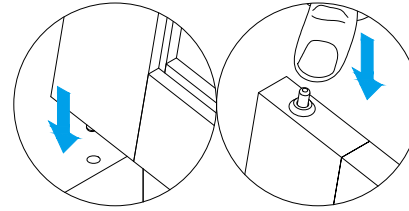


55

# STEP 47



# STEP 48



## MAINTENANCE

- Wipe the surface with a soft, damp cloth and dry immediately.
  - Avoid using chemical cleaners, solvents, or abrasive pads that could damage the finish.
  - Do not place hot, wet, or heavy items directly on the surface.
  - Keep the furniture away from direct sunlight and excessive humidity to prevent warping or discoloration.
  - Check and tighten all screws periodically to maintain stability.
- 

## Warranty & Support

### Limited Warranty

This product is backed by a limited warranty that covers manufacturing defects under normal household use.

### Customer Service

If you have received a damaged product or are missing parts, please contact us directly for assistance. Do not return the product to the store.

When contacting us, please provide the following information:

- Order number or proof of purchase
- Clear photos showing the issue or damaged parts
- Product model number (as listed in this manual)

 Email: [info@serviceprohelp.com](mailto:info@serviceprohelp.com)

We will respond promptly with instructions for replacement parts or other solutions.

Thank you for choosing our product. Enjoy your new furniture!