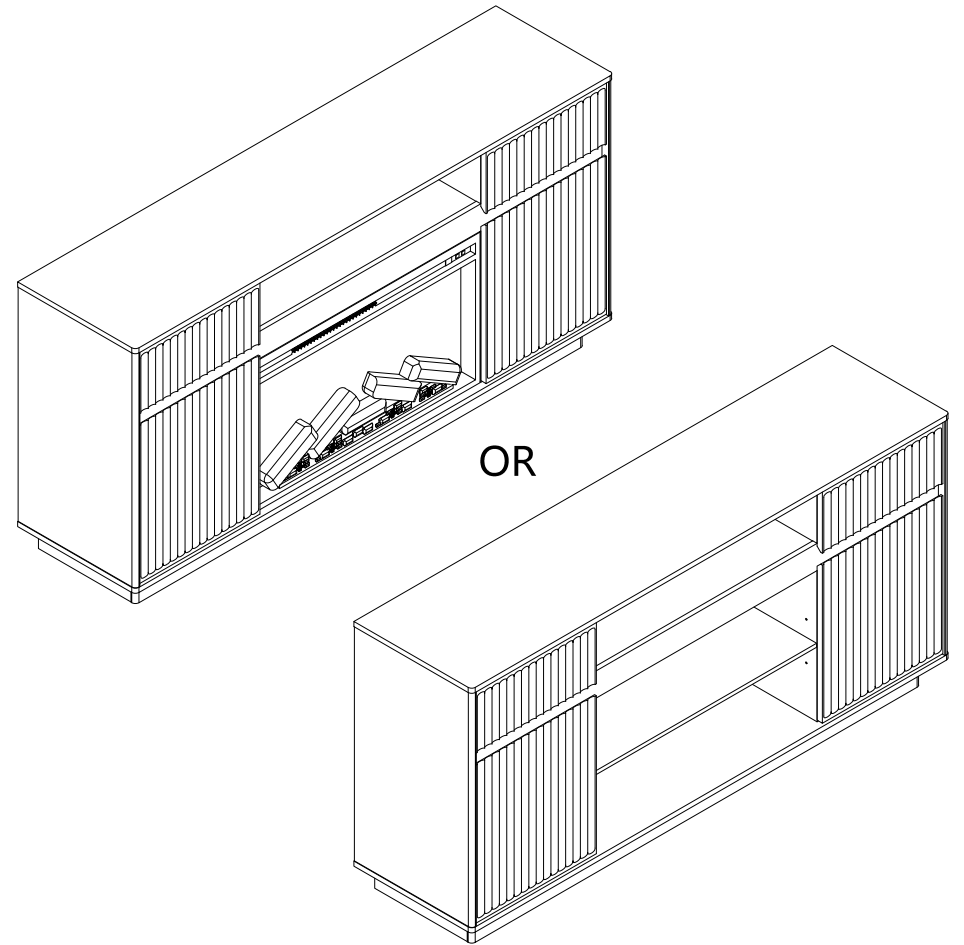


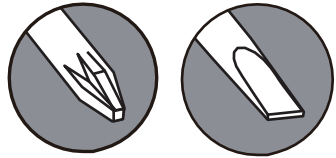
PAPROOS

Model:FDYWC009NA FDYWC009BK



info@serviceprohelp.com

PLEASE READ CAREFULLY



TOOLS REQUIRED



Two people are required for assembly.



Move this piece of furniture gently with two people.



Read this assembly manual carefully, and verify that you have all the parts listed before you begin. Keep your assembly manual for future reference.



Do not place very hot/cold objects on top of any surface. Always use a coaster or mat. Never leave liquids on the surface. Clean immediately with a mild soap and a damp cloth. Never use scouring powder based cleanser.



Protect finishes by placing furniture pieces on a soft carpeted surface during assembly.



SAFE INFORMATION

WARNING: To prevent serious injury or death from furniture tip-overs.

- **NEVER** allow children to climb, stand, or play on any furniture.
- **ALWAYS** supervise children around furniture.
- **KEEP** remote controls, toys, and other attractive items out of reach from the tops of furniture.

WARNING: ALWAYS anchor furniture to the wall.

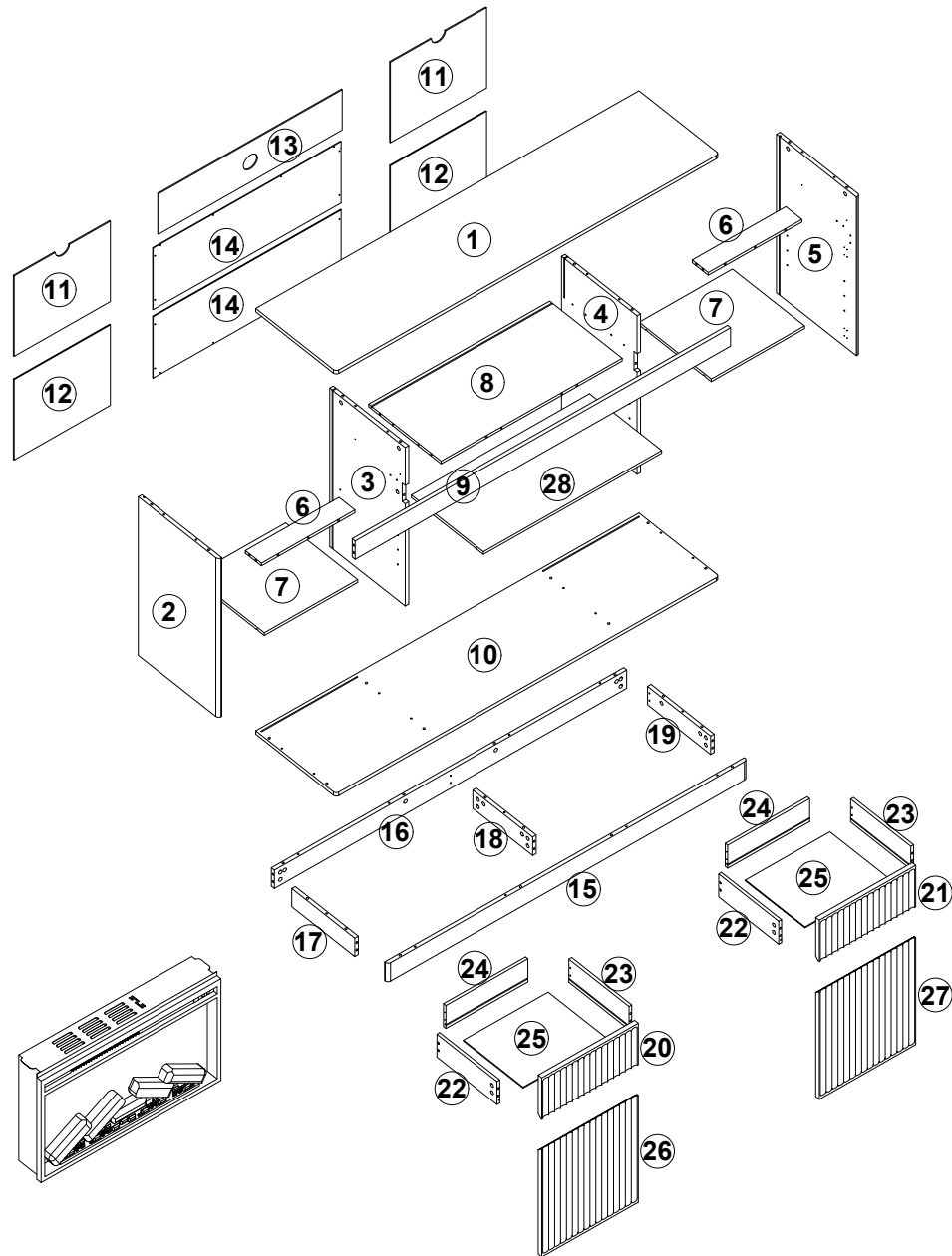
- Anchoring is **ESSENTIAL** to prevent tip-overs.
- Anchor **DIRECTLY** to wall studs or masonry using appropriate hardware.
- **CONSULT** a qualified professional if you are uncertain about your wall construction or how to install anchors properly.
- **REFER** to your television and furniture owner' s manuals for model-specific instructions.
- **NEVER** remove wall anchors without first emptying all items from the furniture.

CAUTION: Use only furniture designed for TVs.

- Placing a TV on furniture **NOT** designed for it (e.g., dressers, bookcases) creates a top-heavy, unstable hazard.
- **USE ONLY** furniture specifically designed and rated to support the weight and size of your television.
- **FOLLOW** all manufacturer instructions for installation and weight limits.

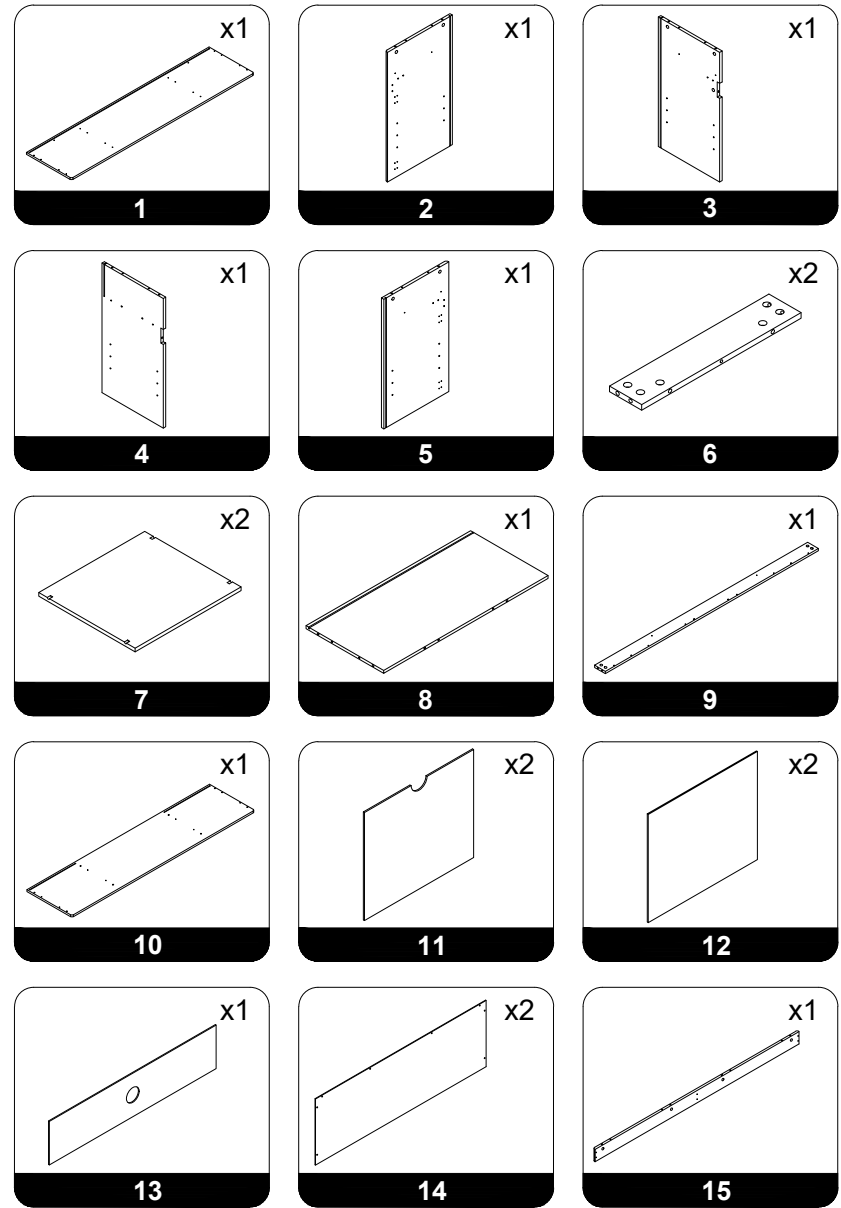
➔ For more details, visit <https://www.anchorit.gov/>

EXPLODED VIEW



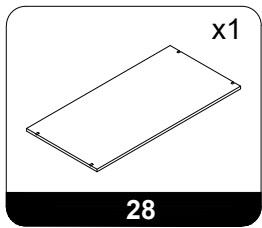
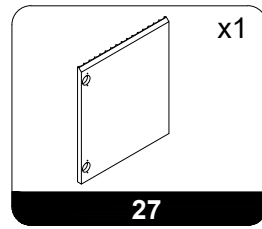
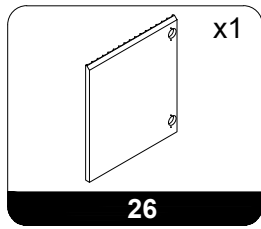
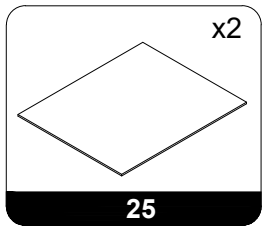
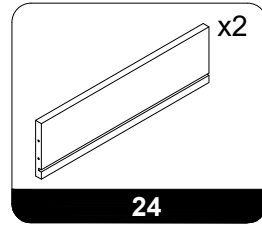
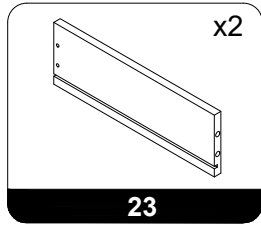
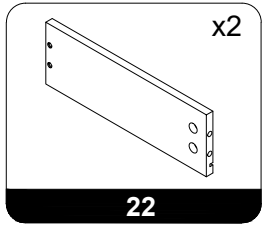
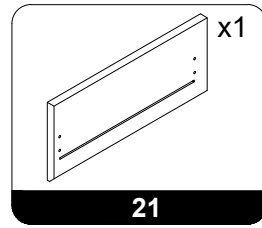
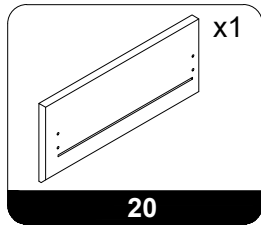
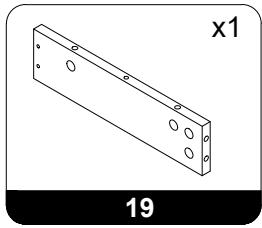
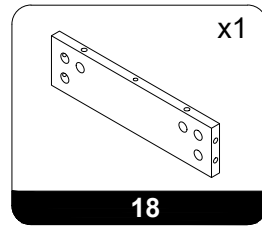
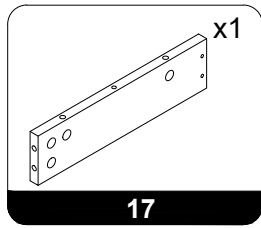
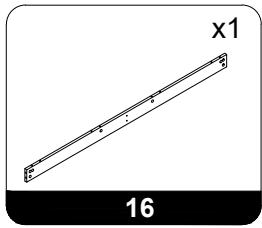
4

PARTS

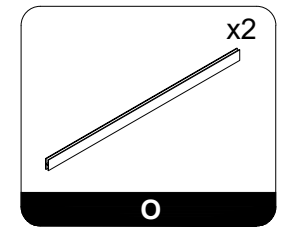
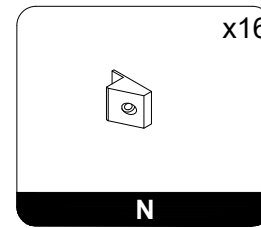
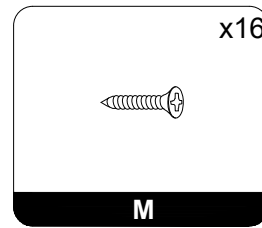
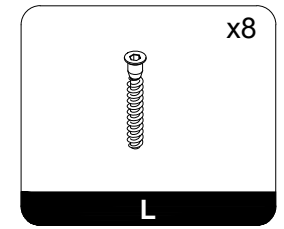
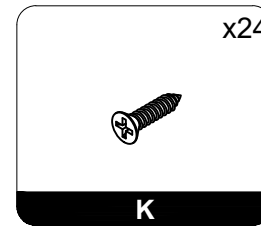
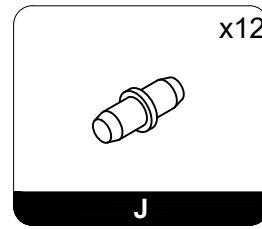
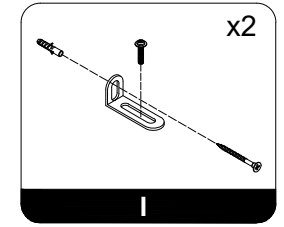
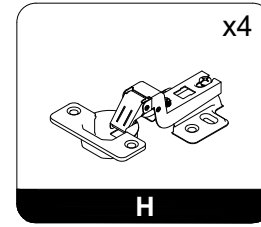
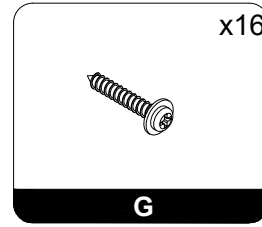
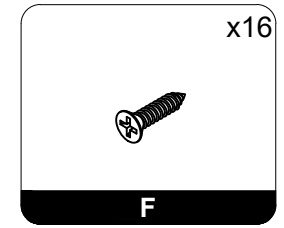
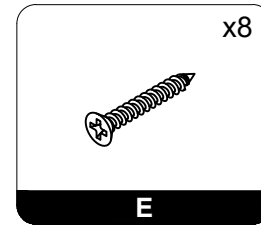
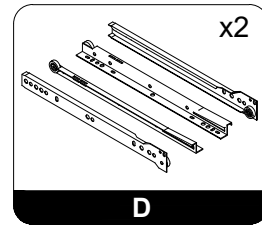
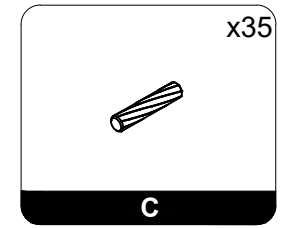
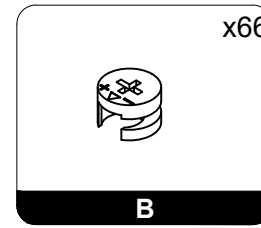
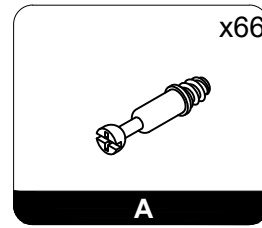


5

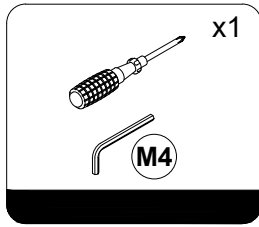
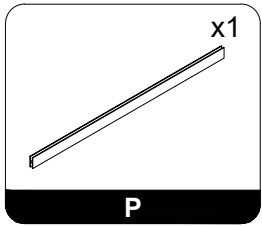
PARTS



HARDWARE



HARDWARE

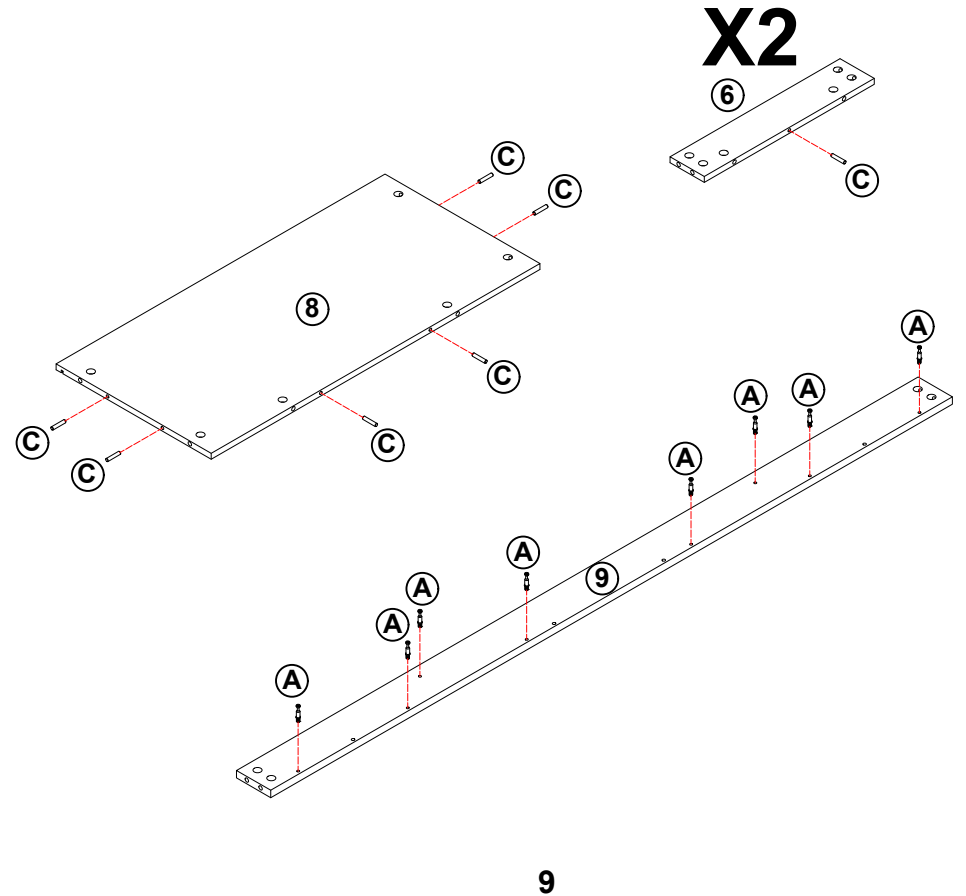
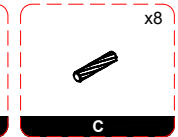
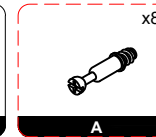
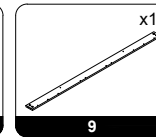
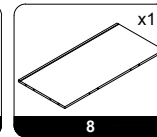
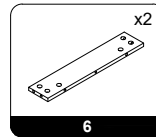


ASSEMBLY INSTRUCTIONS

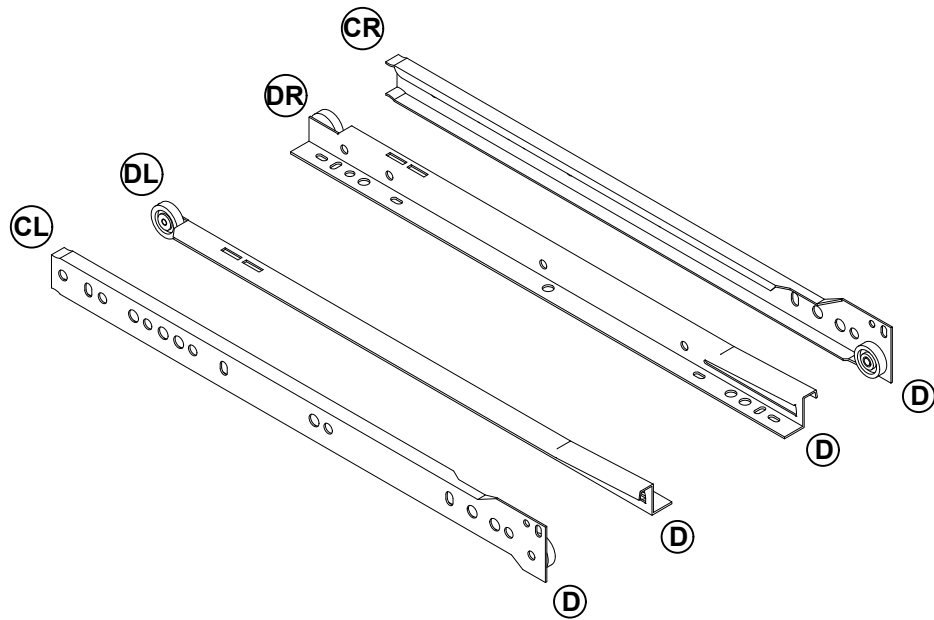
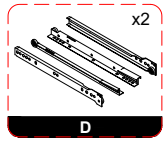


Do not tighten the screws until all of them are fastened into the holes.

STEP 1



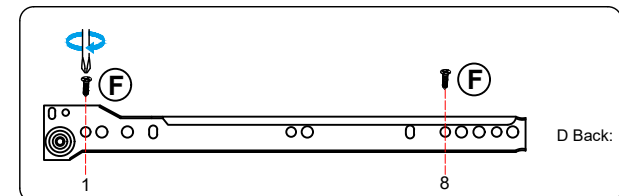
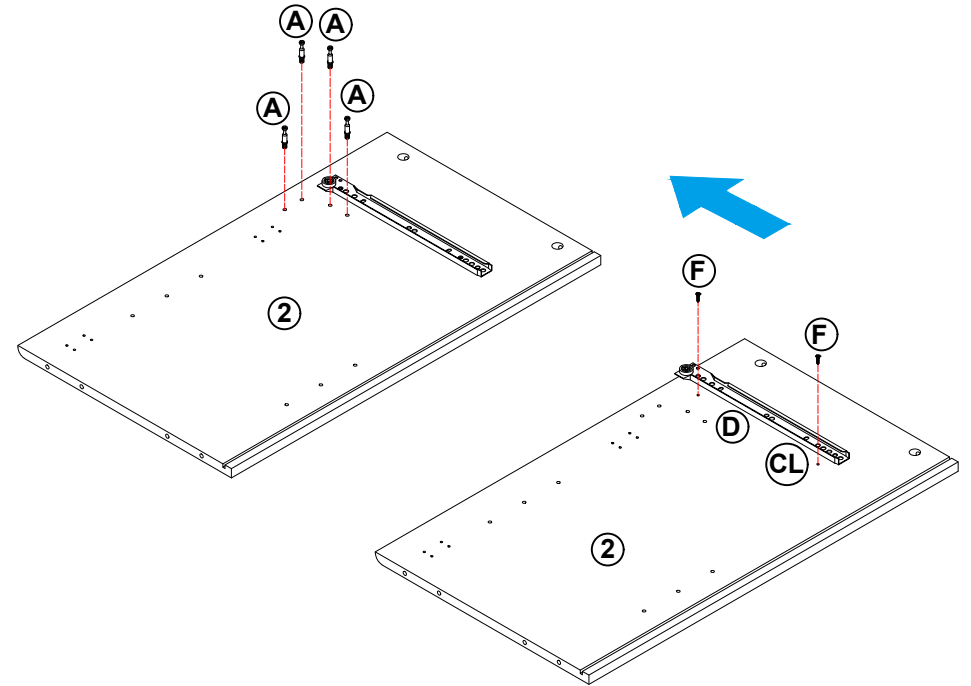
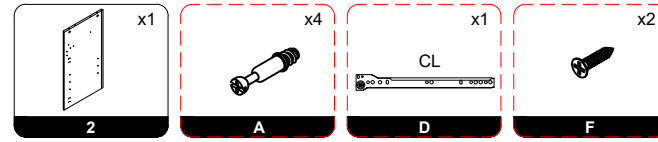
STEP 2



X2

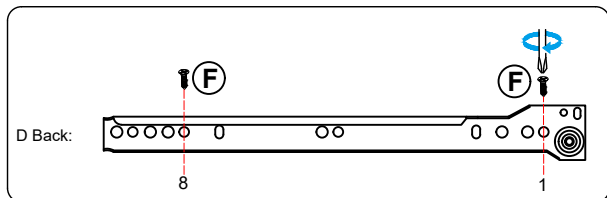
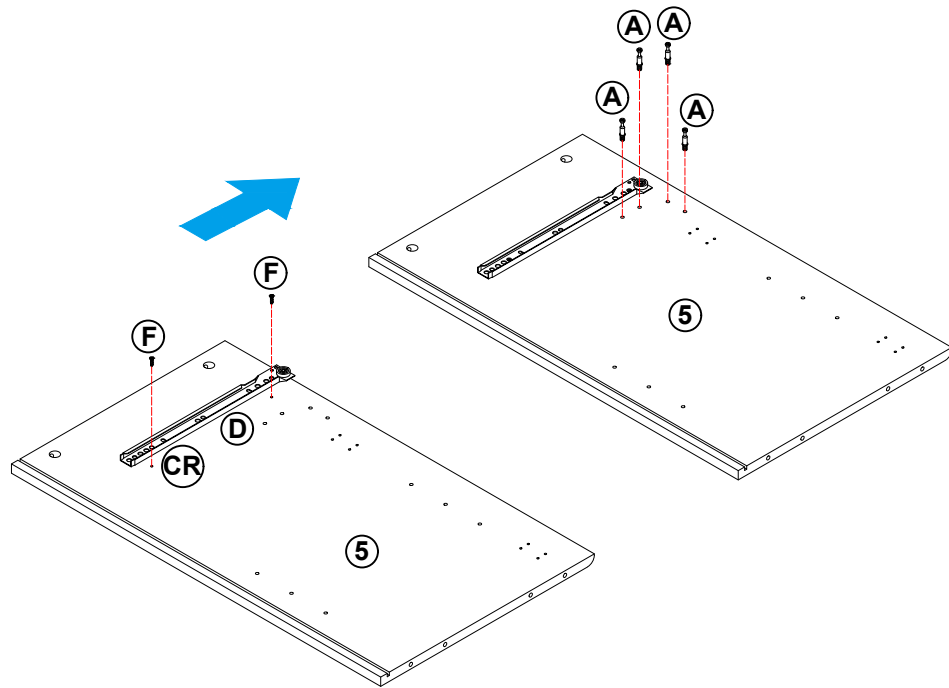
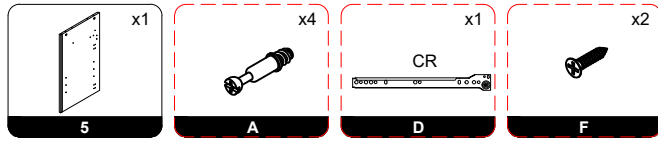
10

STEP 3



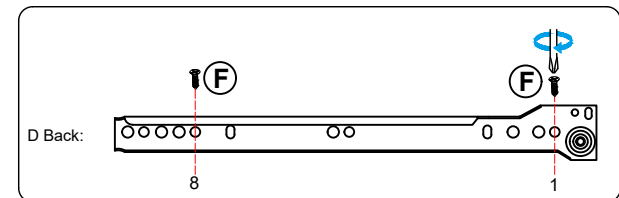
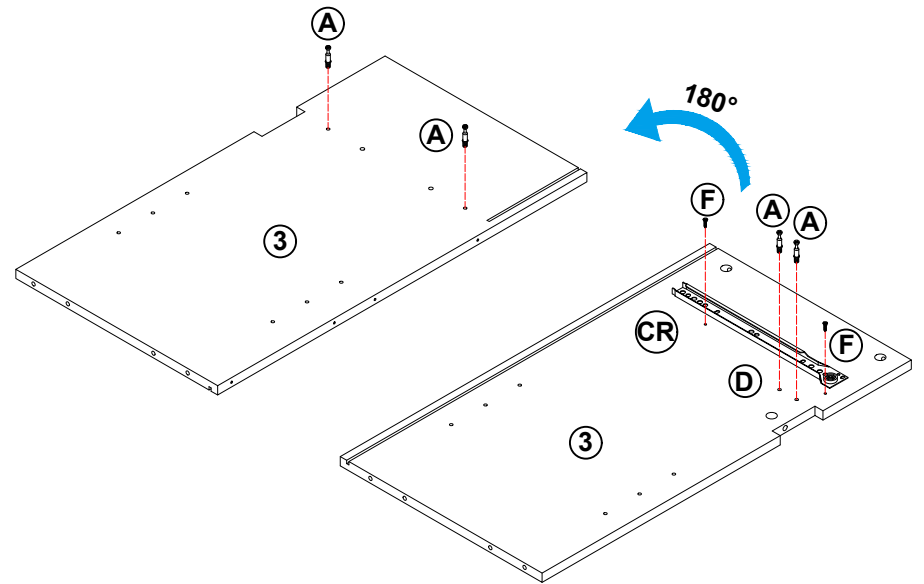
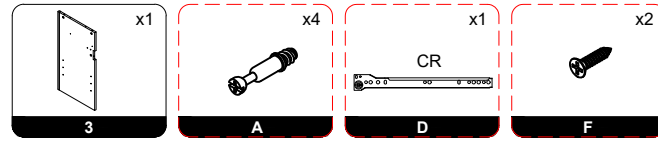
11

STEP 4



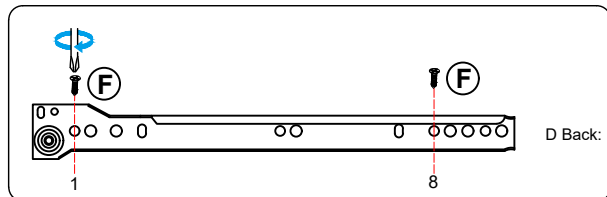
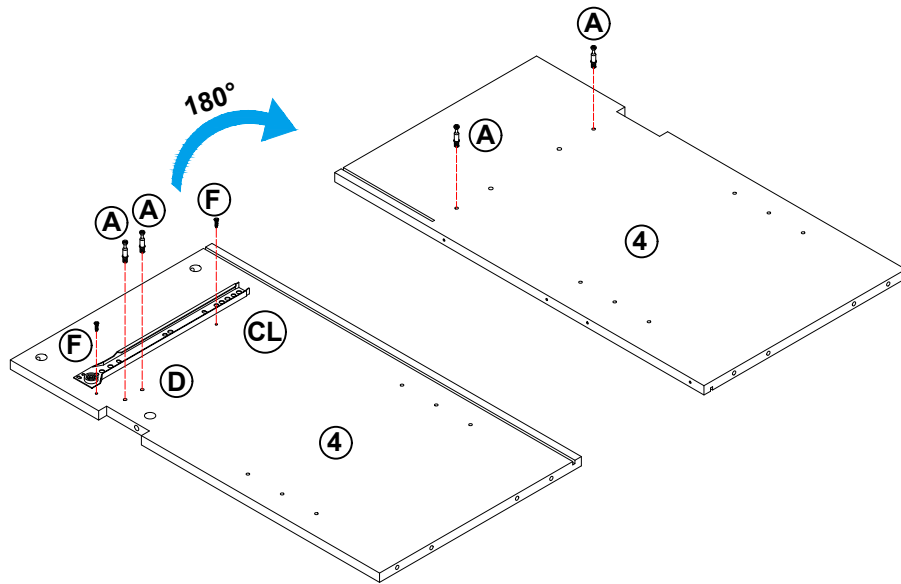
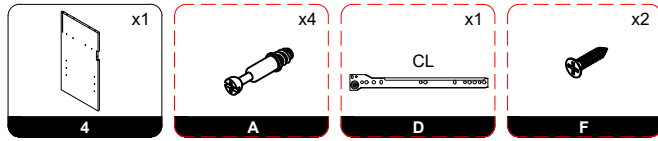
12

STEP 5



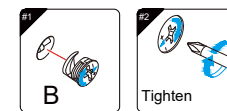
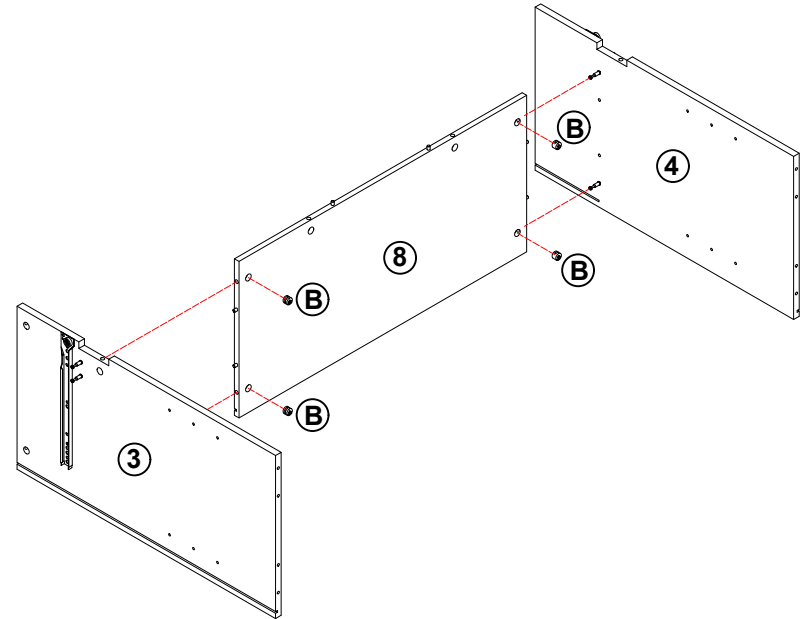
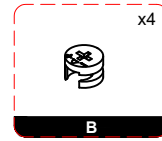
13

STEP 6



14

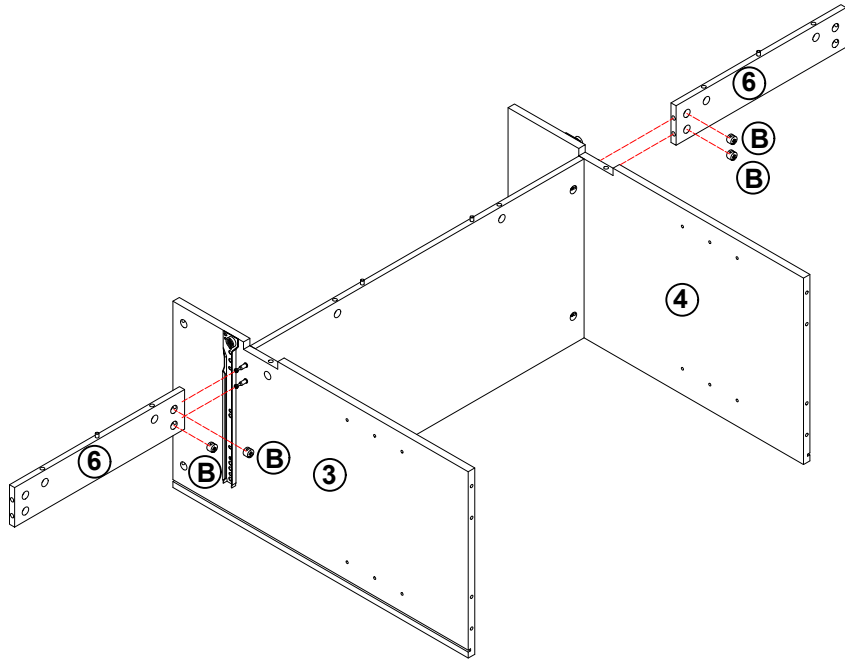
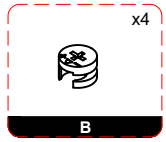
STEP 7



Note: the direction of the arrow.

15

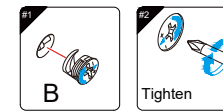
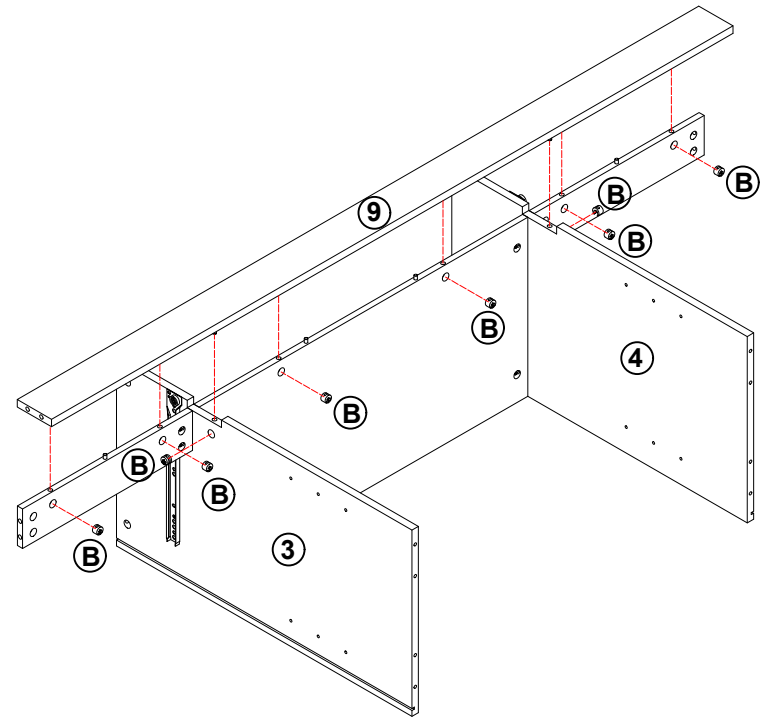
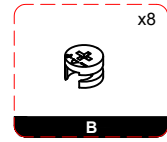
STEP 8



Note: the direction of the arrow.

16

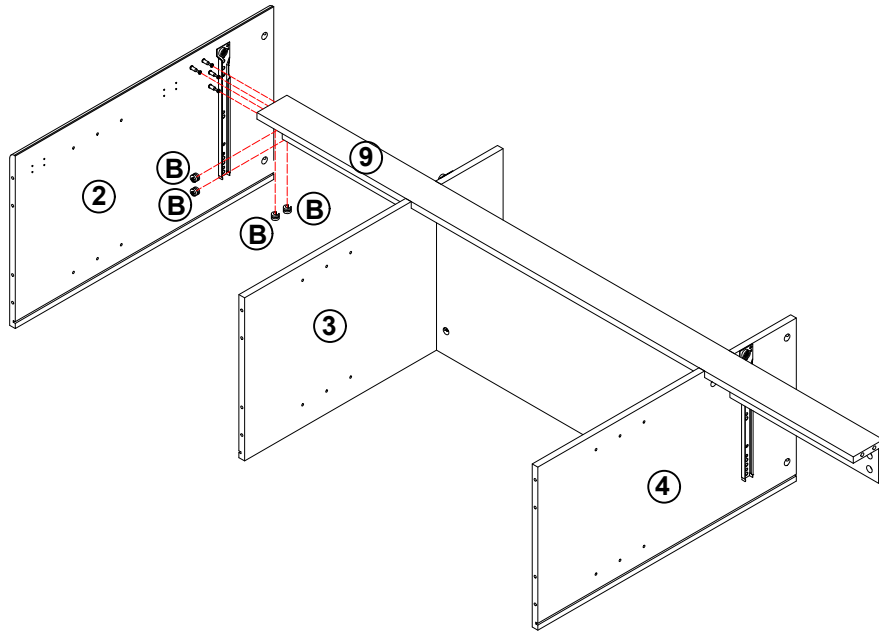
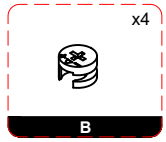
STEP 9



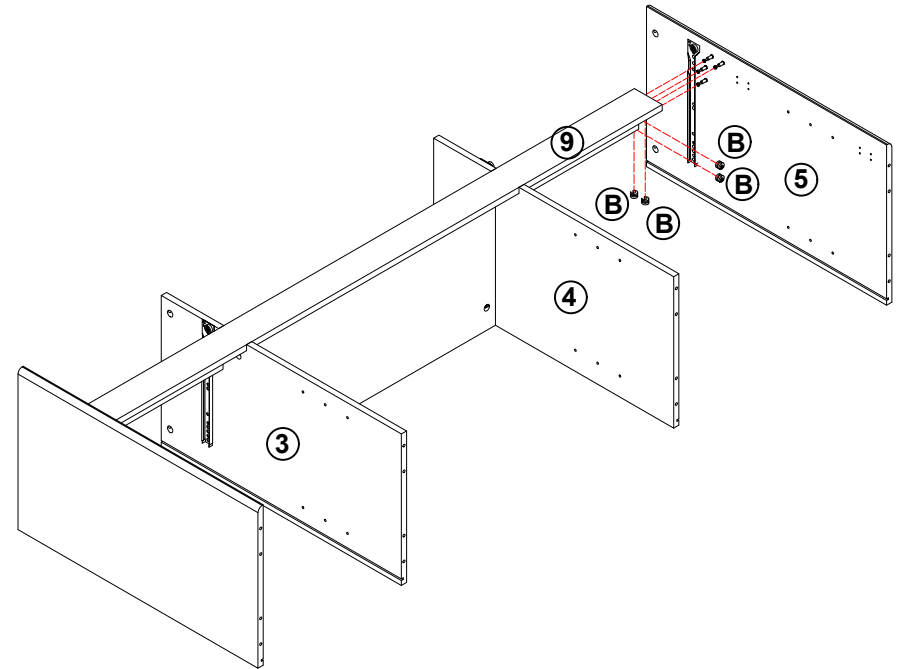
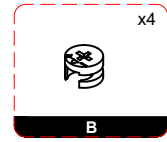
Note: the direction of the arrow.

17

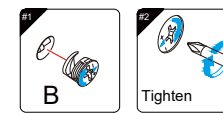
STEP 10



STEP 11

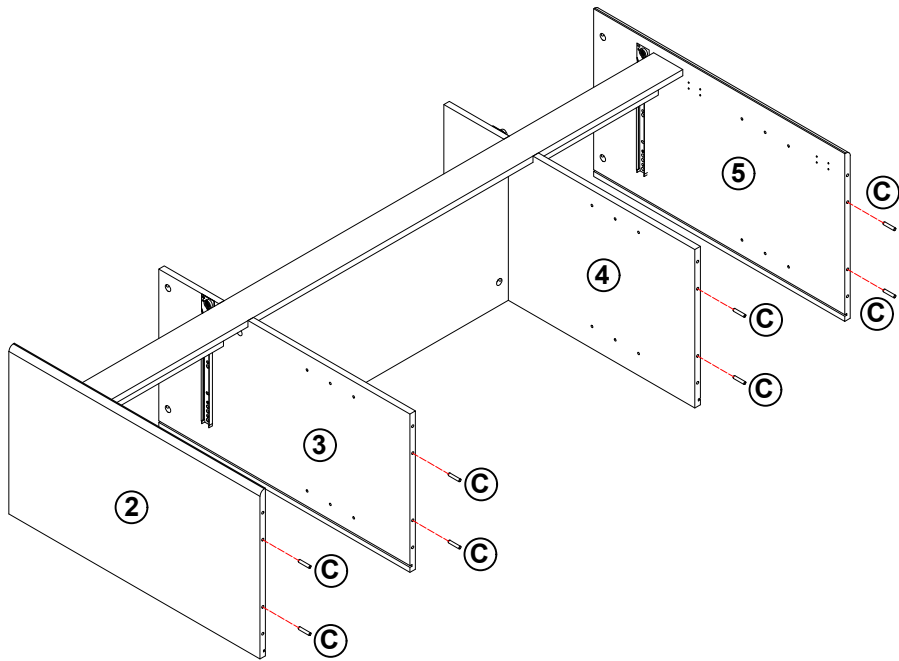
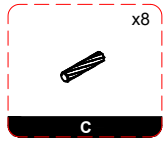


Note: the direction of the arrow.



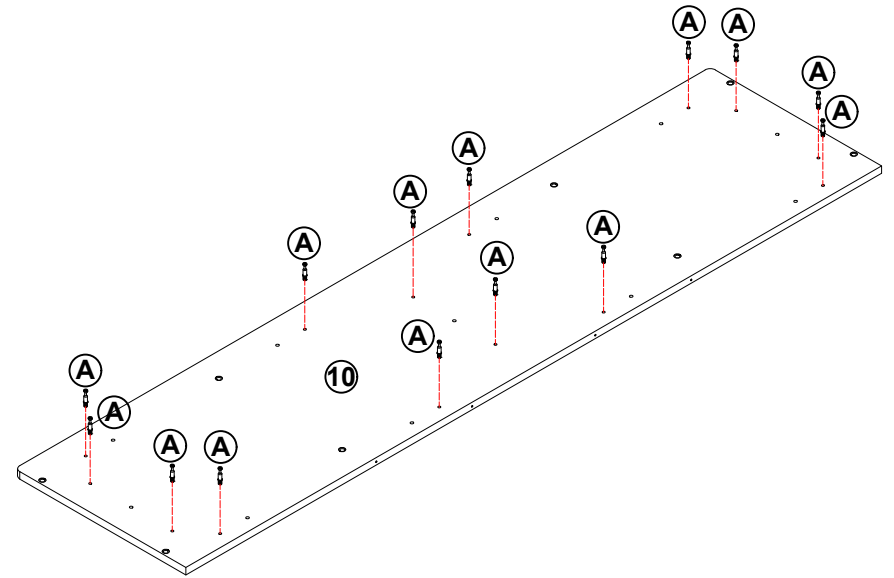
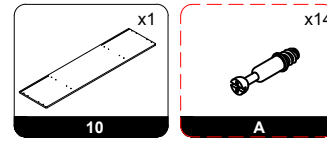
Note: the direction of the arrow.

STEP 12



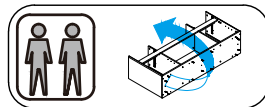
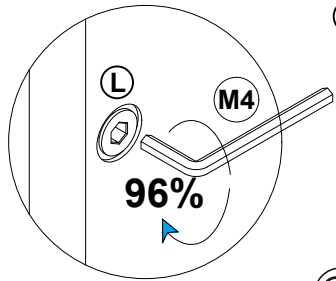
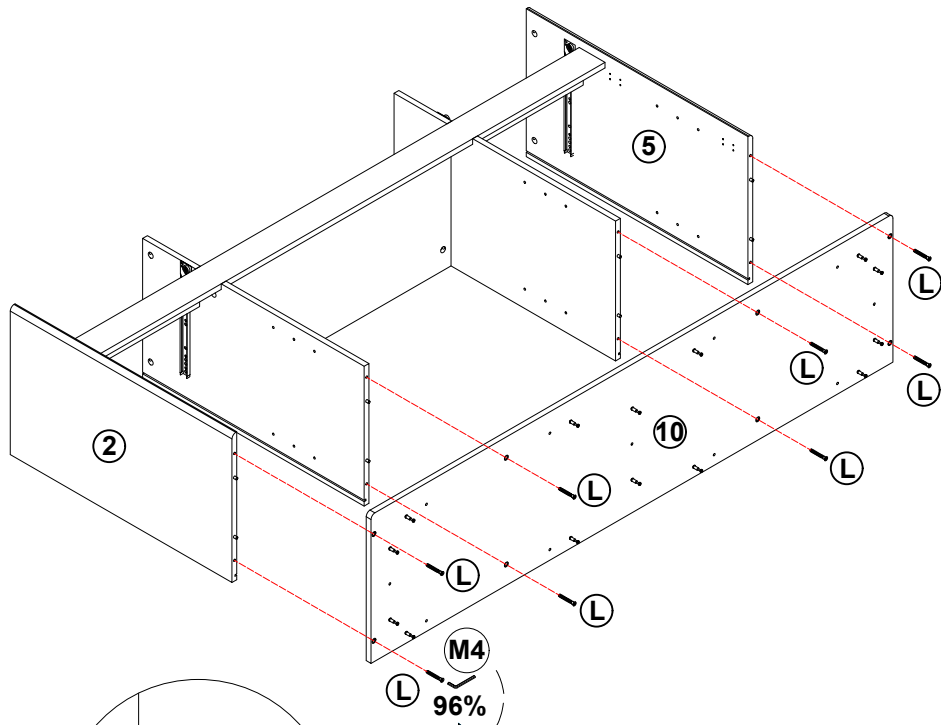
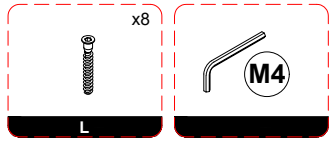
20

STEP 13



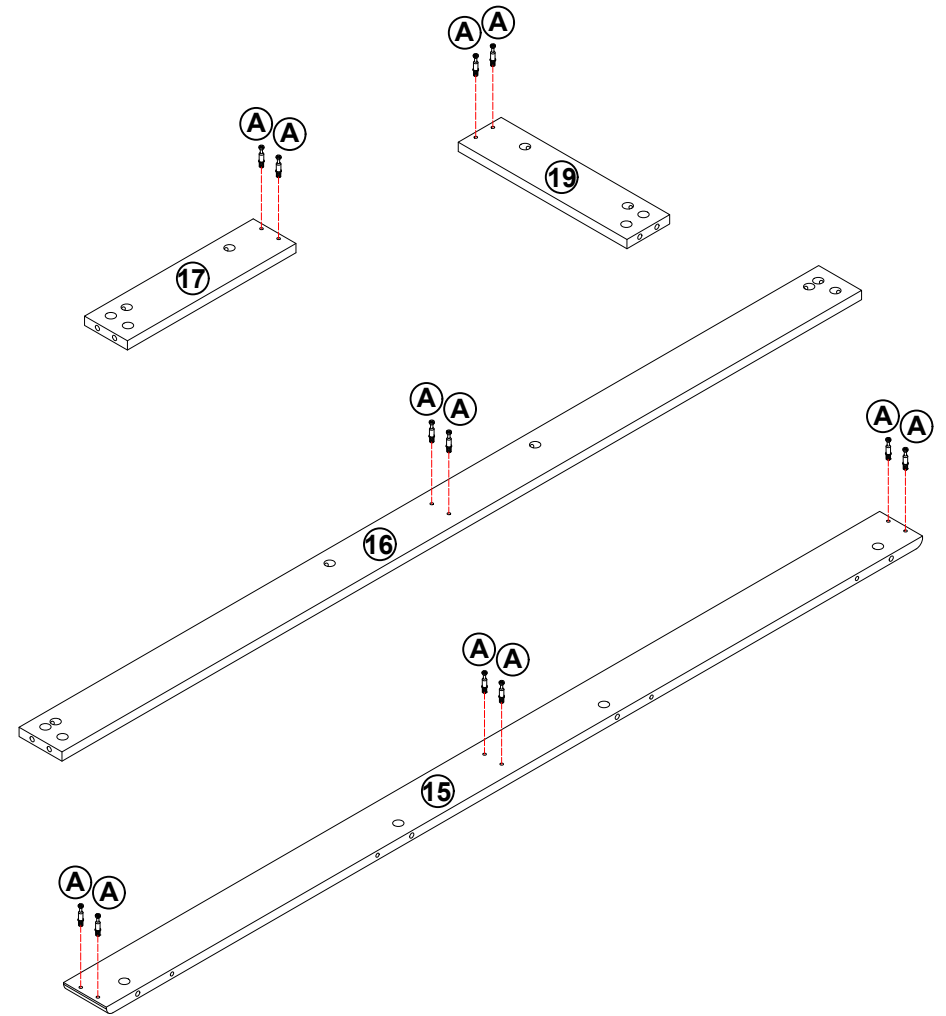
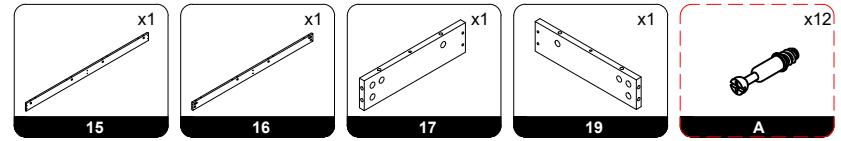
21

STEP 14



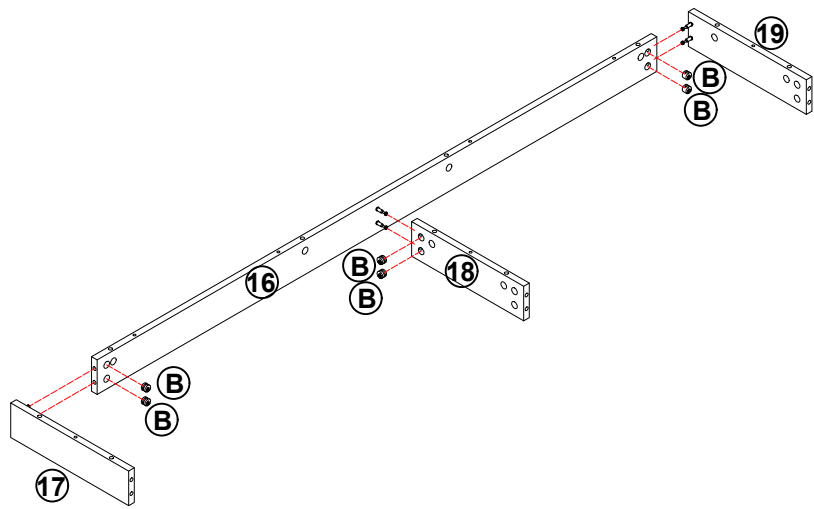
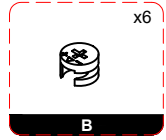
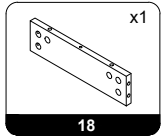
22

STEP 15



23

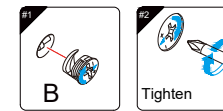
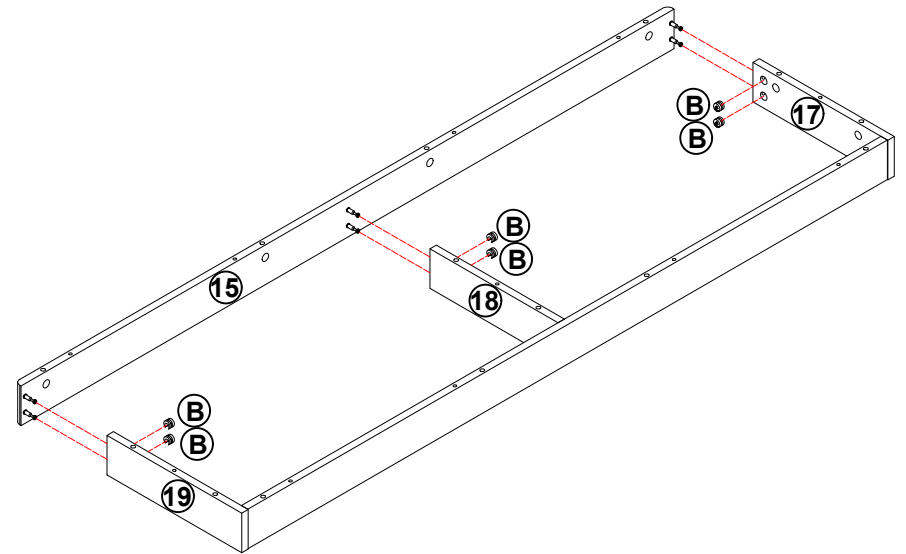
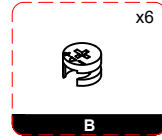
STEP 16



Note: the direction of the arrow.

24

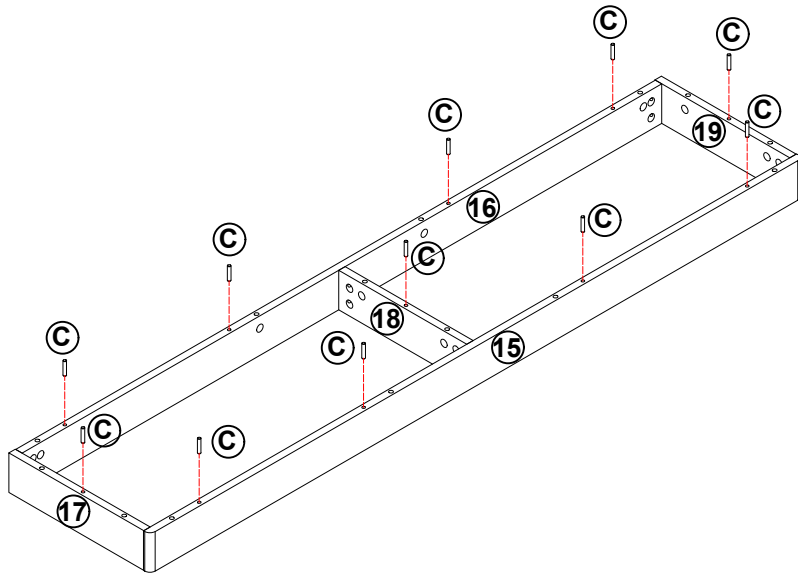
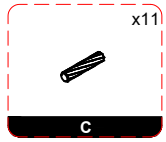
STEP 17



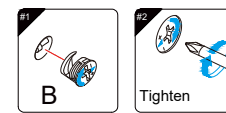
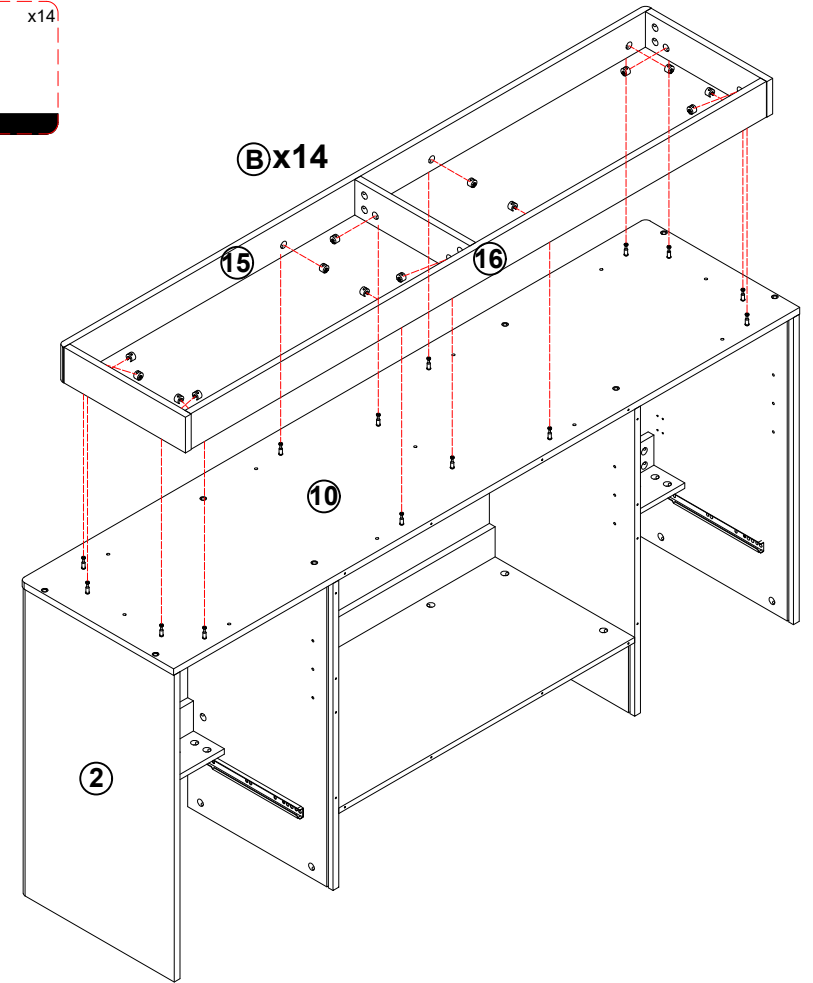
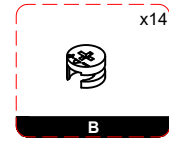
Note: the direction of the arrow.

25

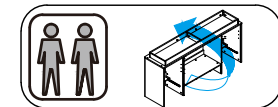
STEP 18



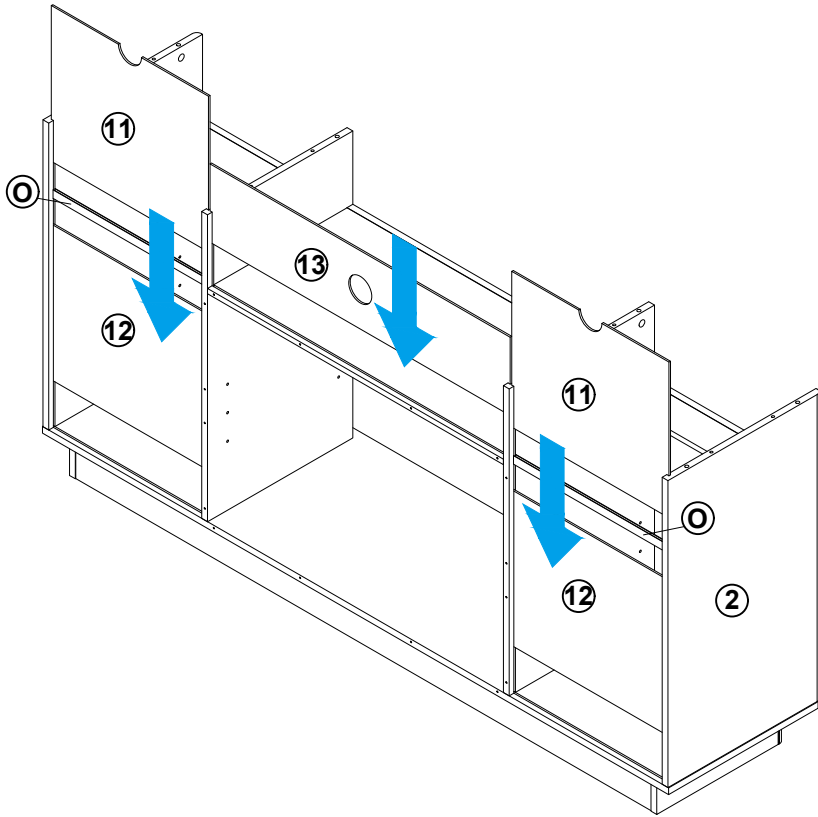
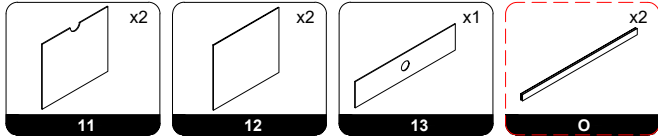
STEP 19



Note: the direction of the arrow.

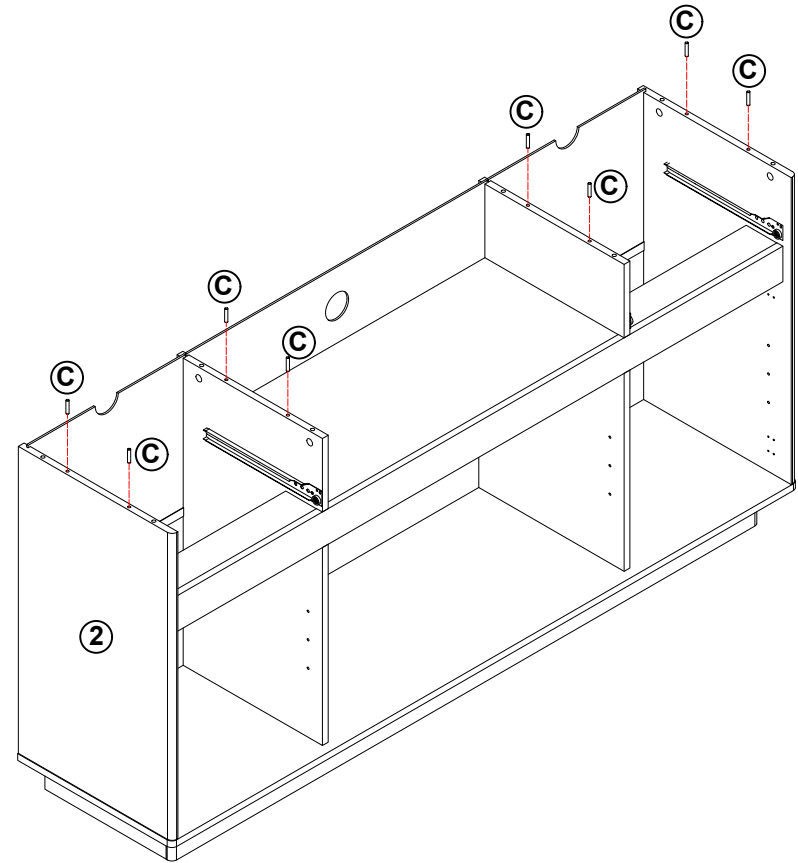
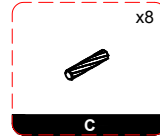


STEP 20



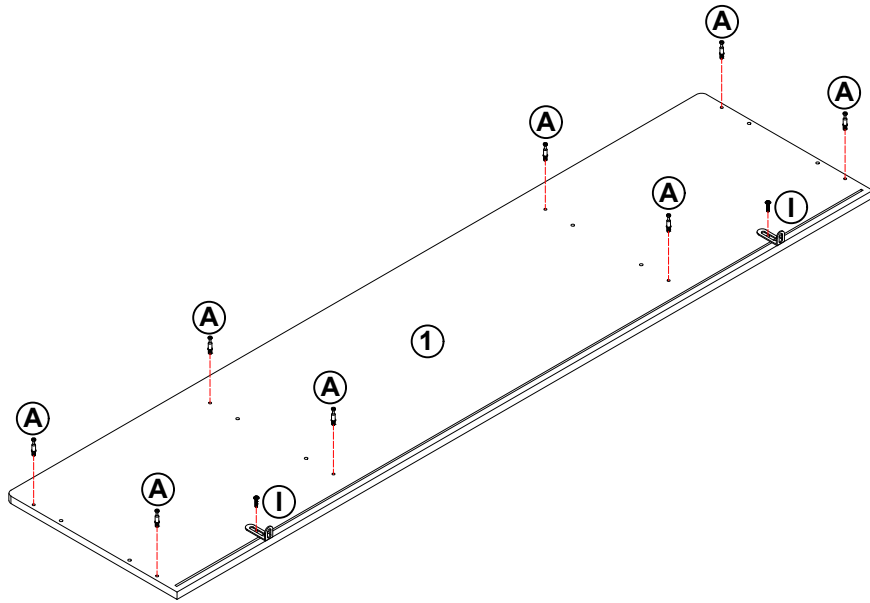
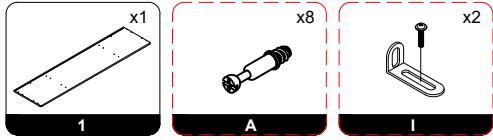
28

STEP 21

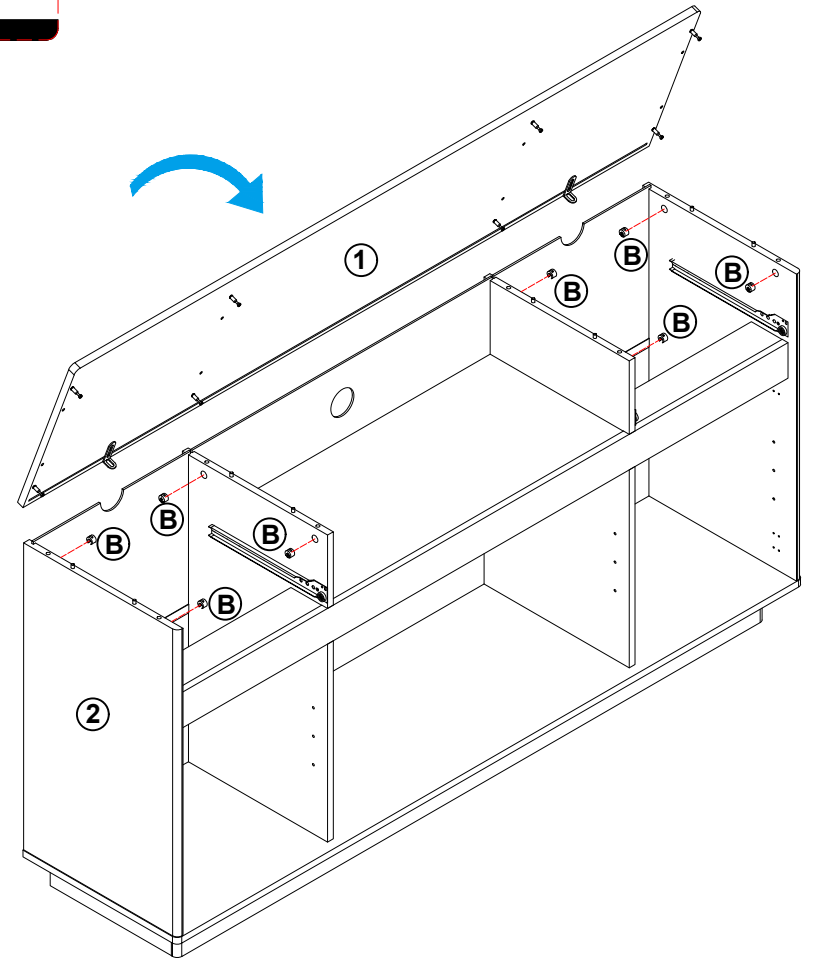
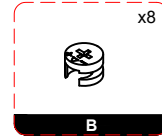


29

STEP 22



STEP 23



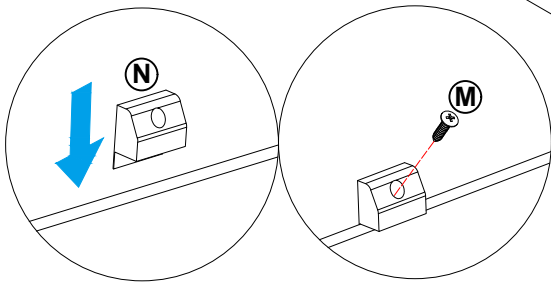
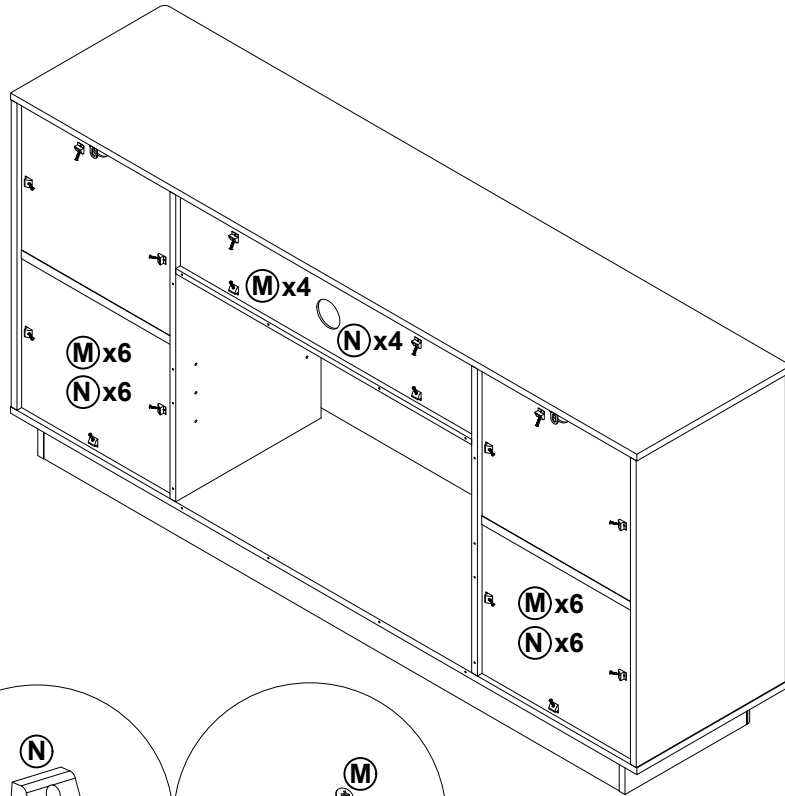
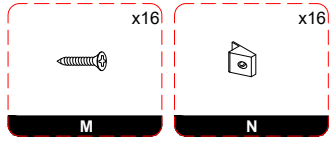
Note: the direction of the arrow.



Note! Please select the subsequent installation steps based on the version you purchased:

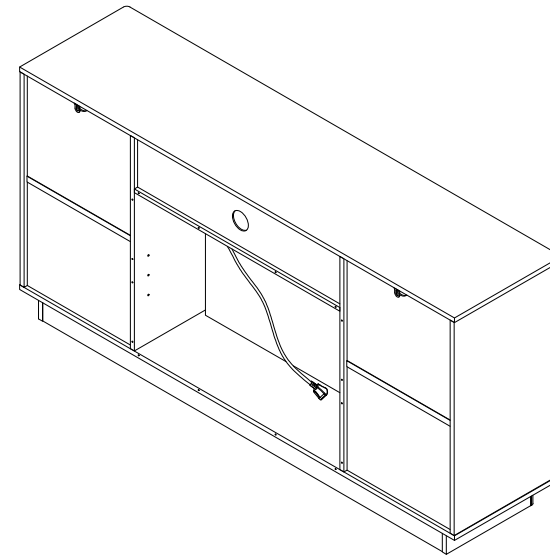
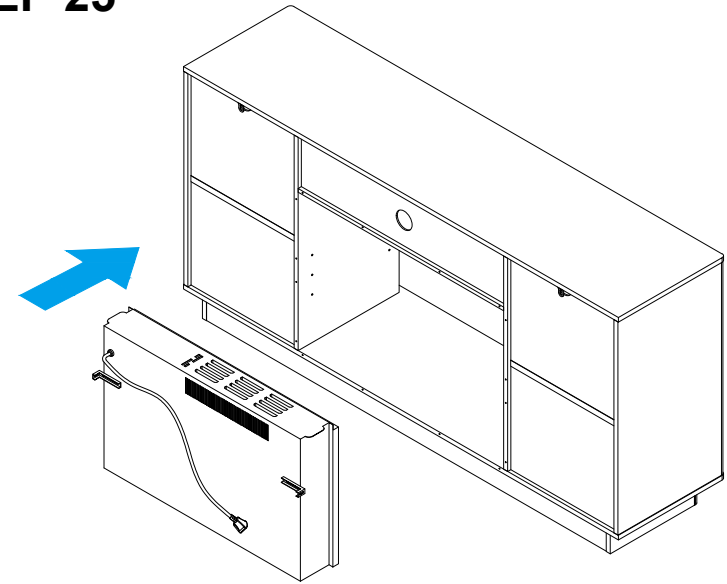
1. Install the fireplace TV stand (from STEP 24 to STEP 36)
2. Install the TV stand (from STEP 37 to STEP 49)

STEP 24



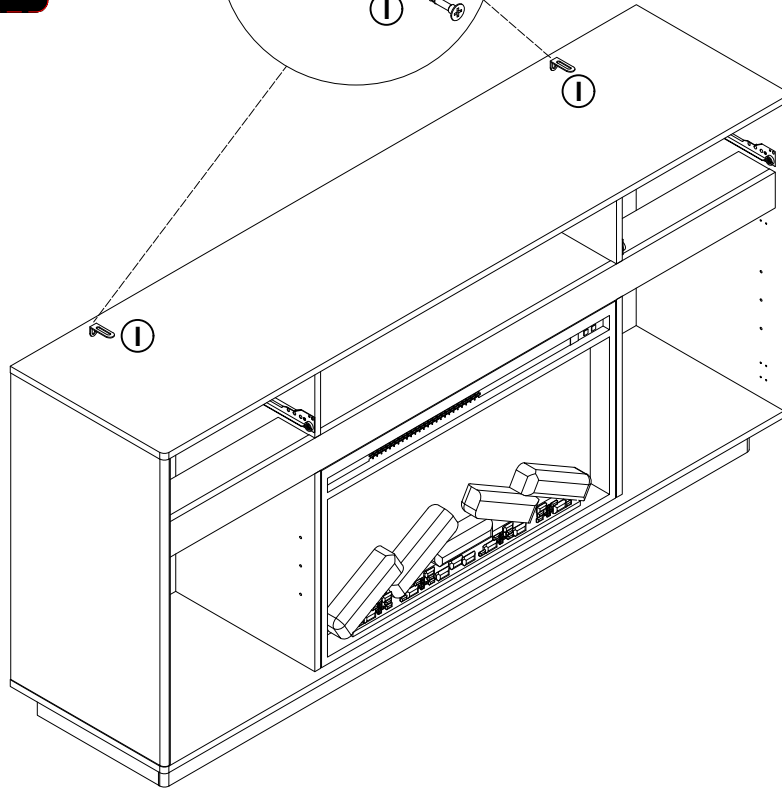
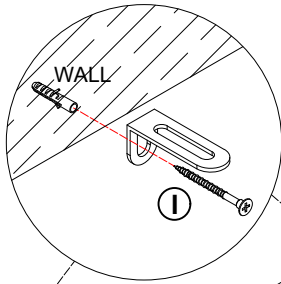
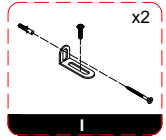
32

STEP 25

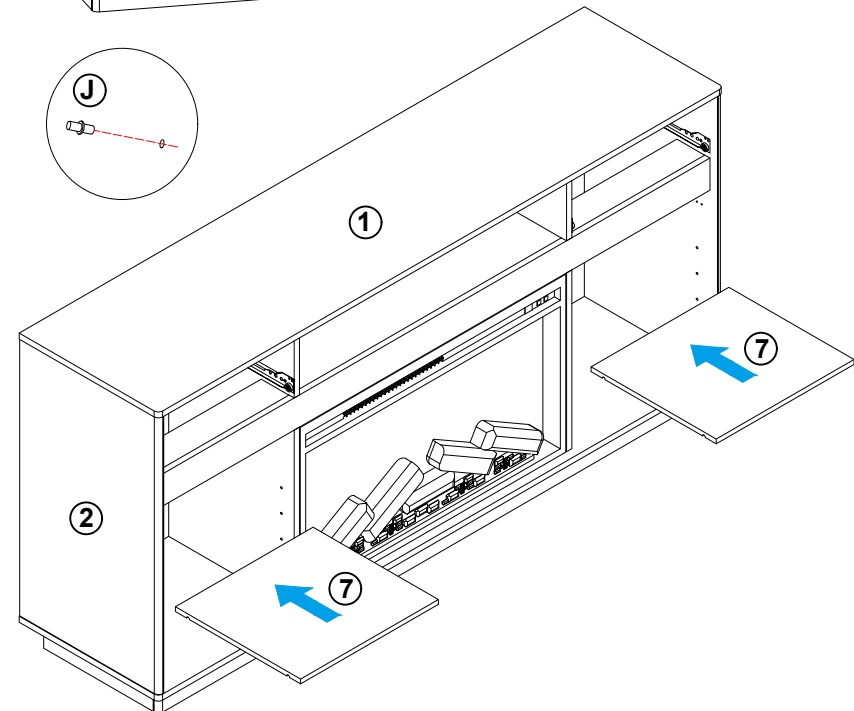
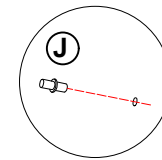
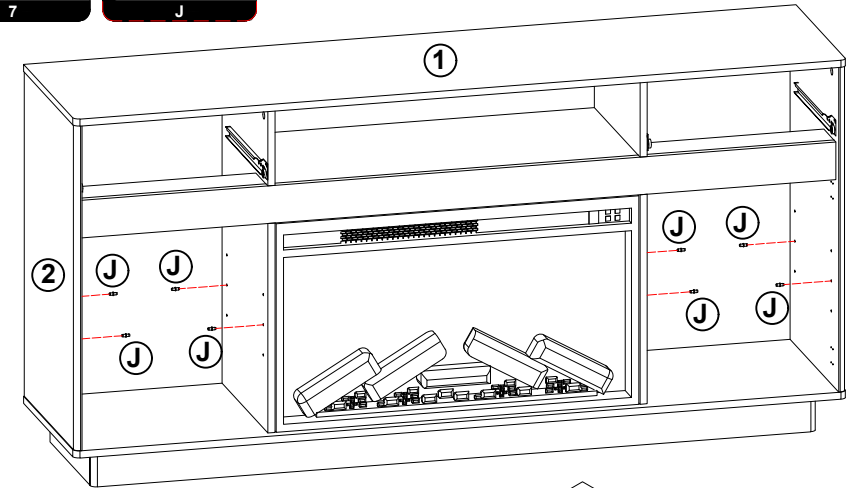
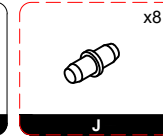
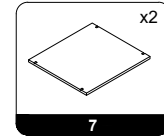


33

STEP 26



STEP 27



Wall Mounting Instructions

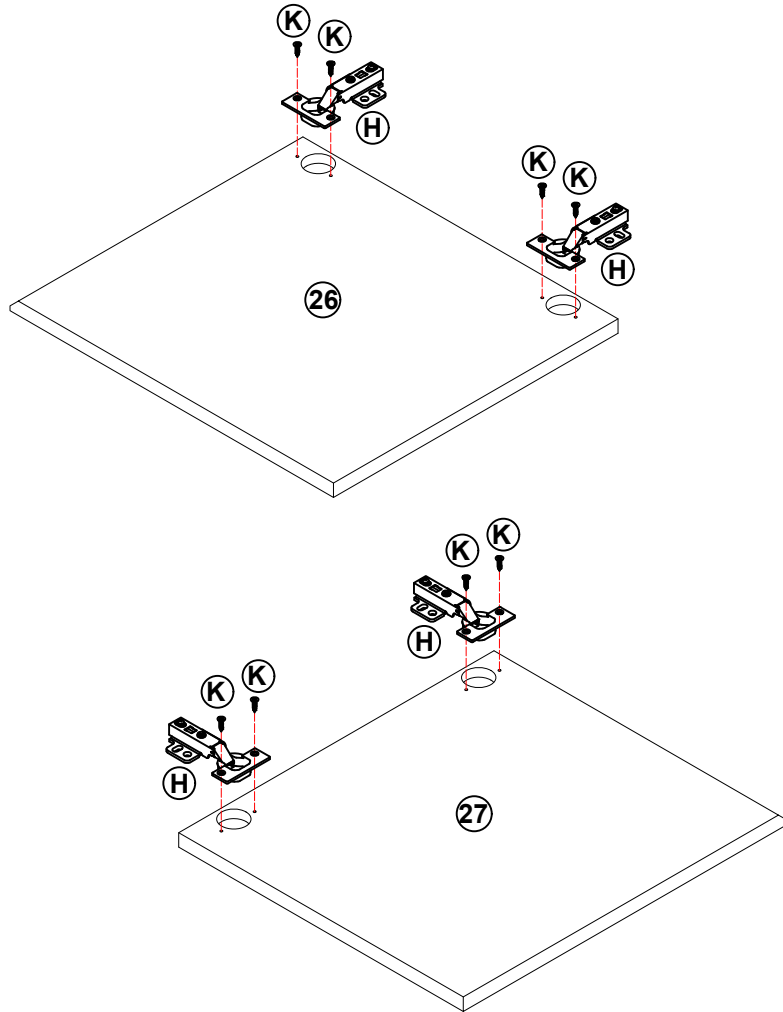
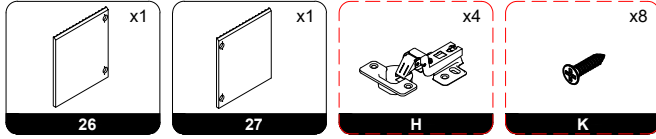
⚠ CAUTION — Risk of Furniture Tip-Over. Always anchor this furniture securely to the wall.

- Using the screws provided and a screwdriver, secure the mounting plate(s) to the back of the product.
- Noting the location of the product's mounting plate(s), mark the corresponding positions on the wall for the wall-mounted plate(s).
Drill pilot holes at the marked locations into a wall stud.

NOTE: If wall studs are not available, drill holes slightly smaller than the drywall anchors. Insert each anchor until its flange is flush with the wall.

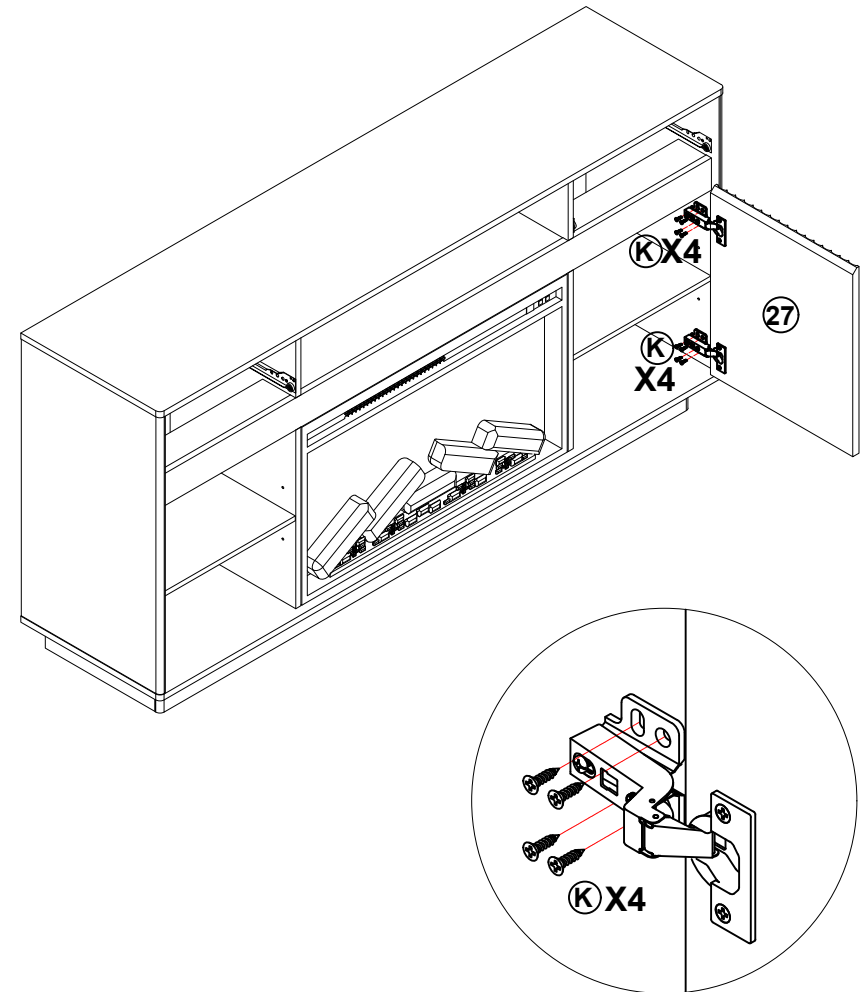
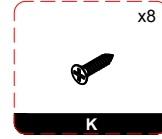
- Using a screwdriver, secure the mounting bracket(s) to the wall stud or to the drywall anchors using the screws provided.
- Position the product in its final location. Lace one end of the plastic tie(s) through both the wall-mounted plate and the product's mounting plate, then loop through the other end. Pull the tie(s) tight to remove slack. Do not overtighten.

STEP 28



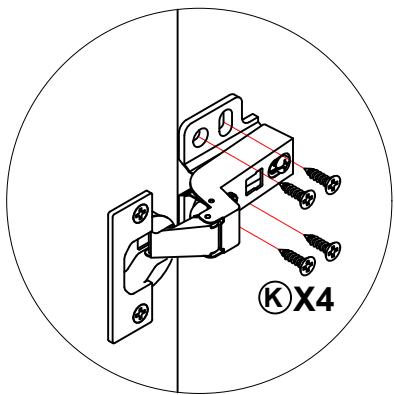
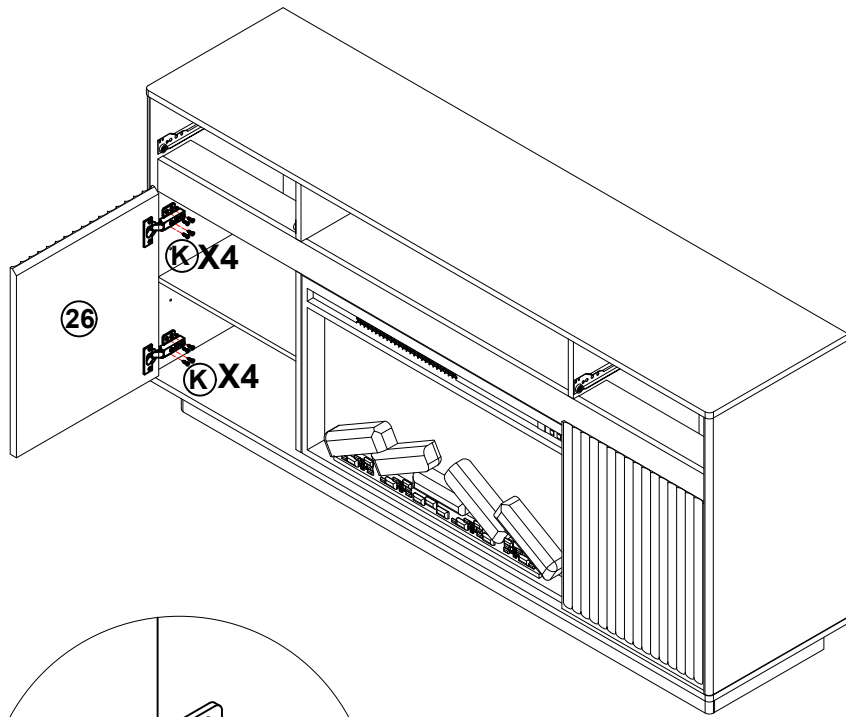
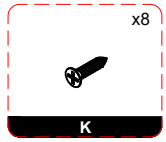
36

STEP 29



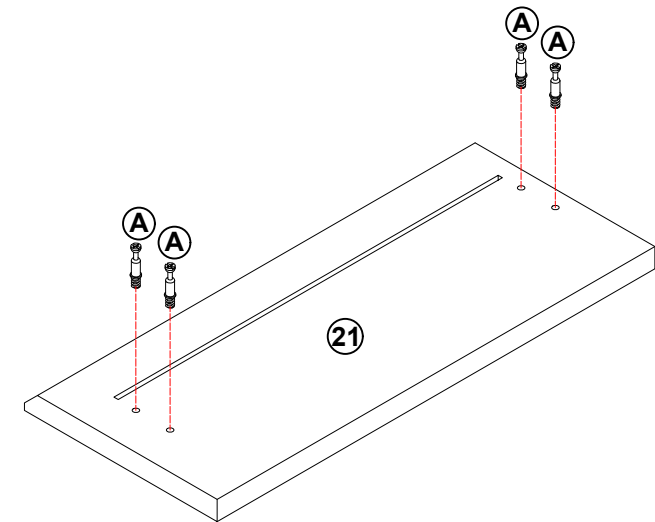
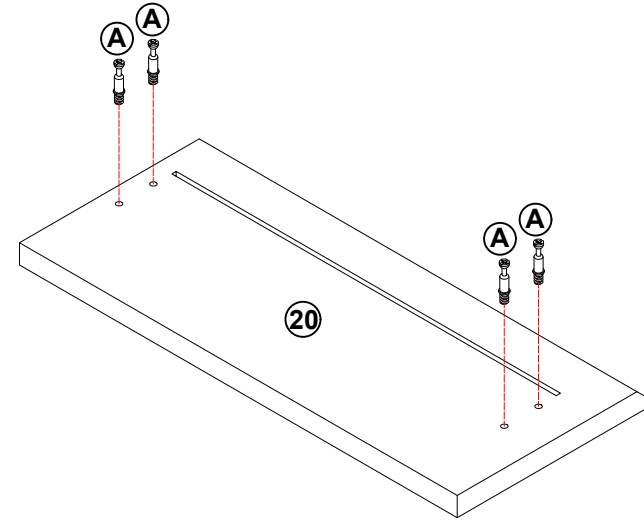
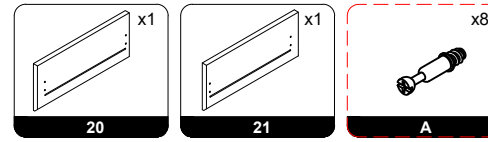
37

STEP 30



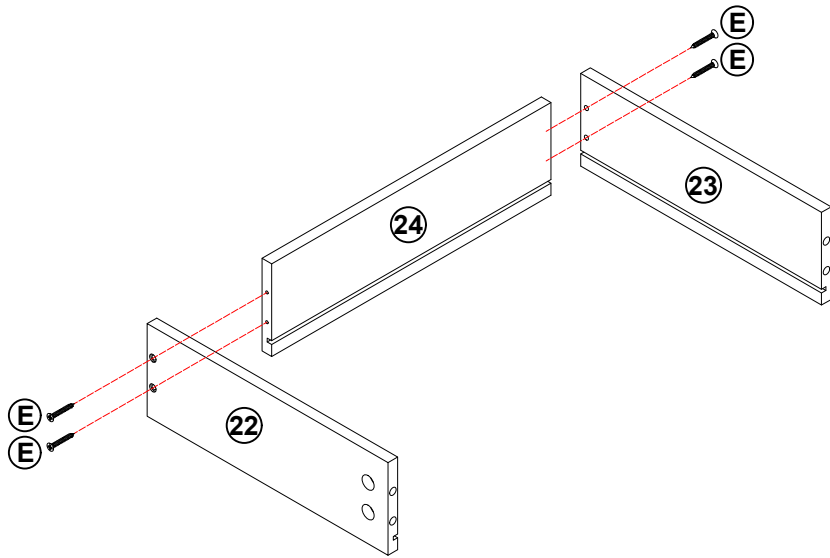
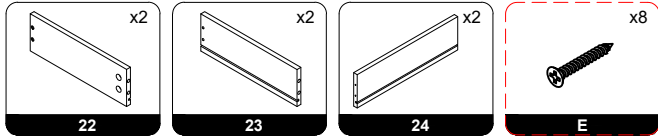
38

STEP 31



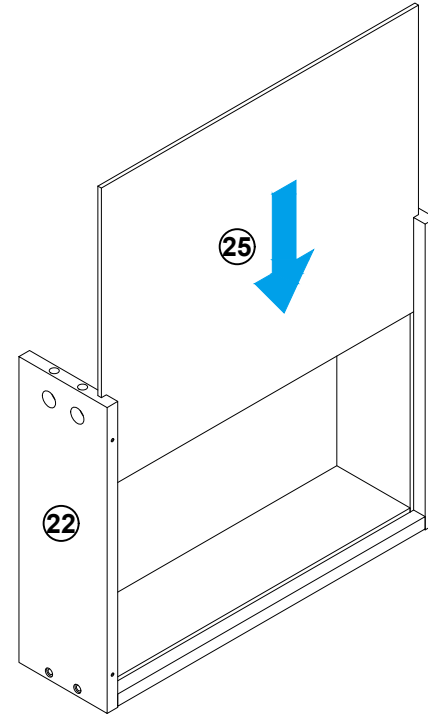
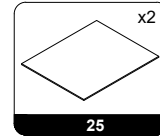
39

STEP 32



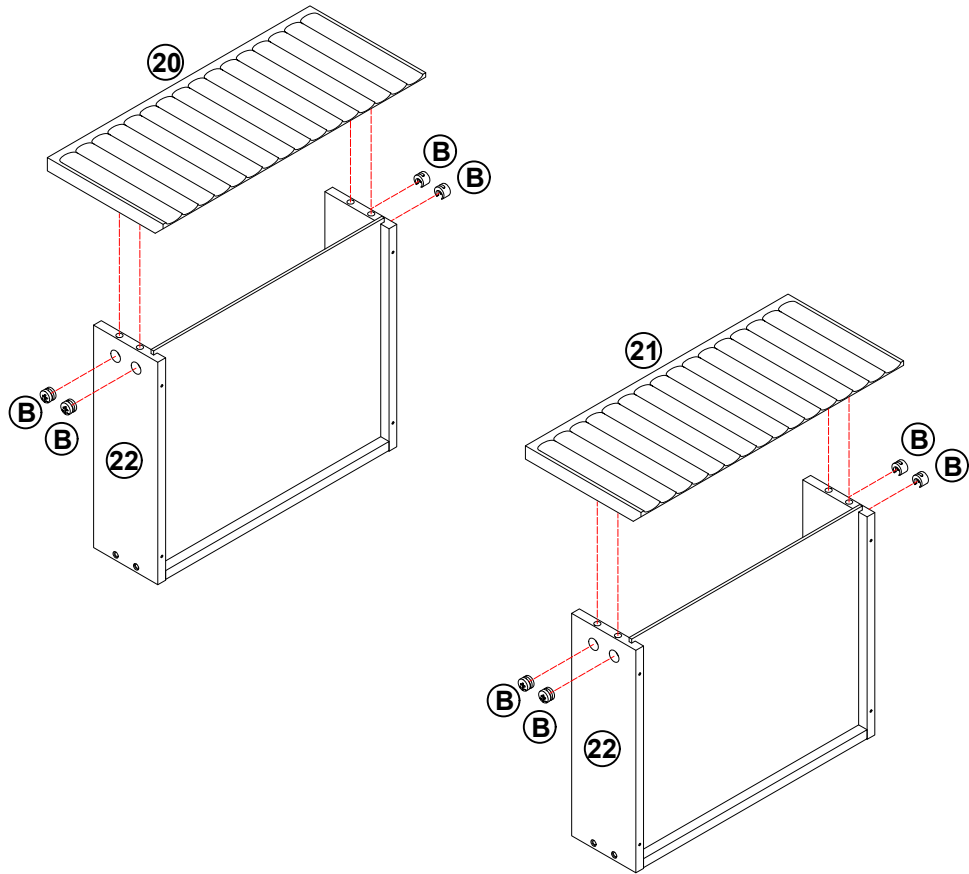
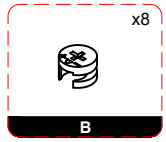
X2

STEP 33



X2

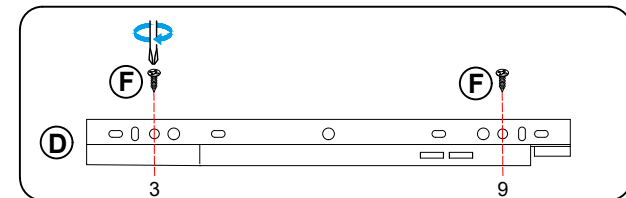
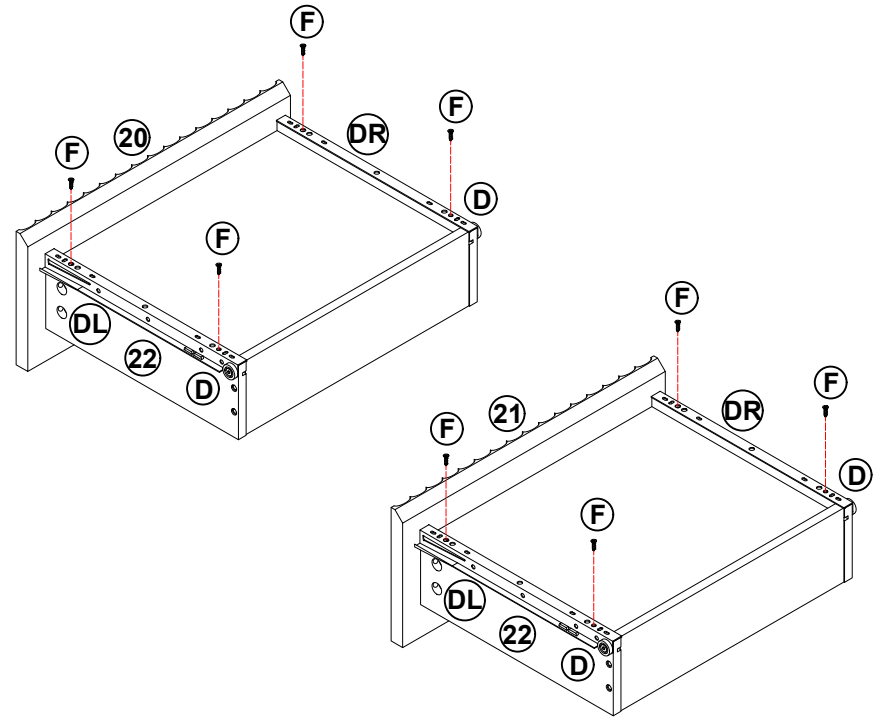
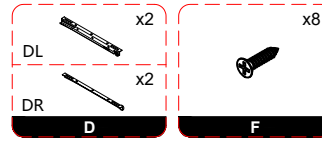
STEP 34



Note: the direction of the arrow.

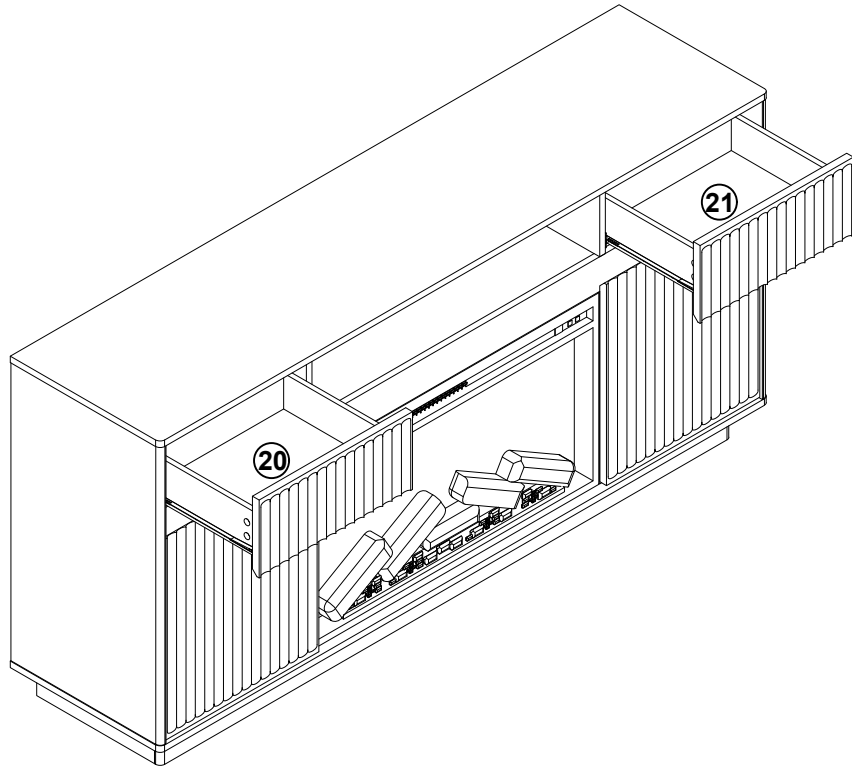
42

STEP 35

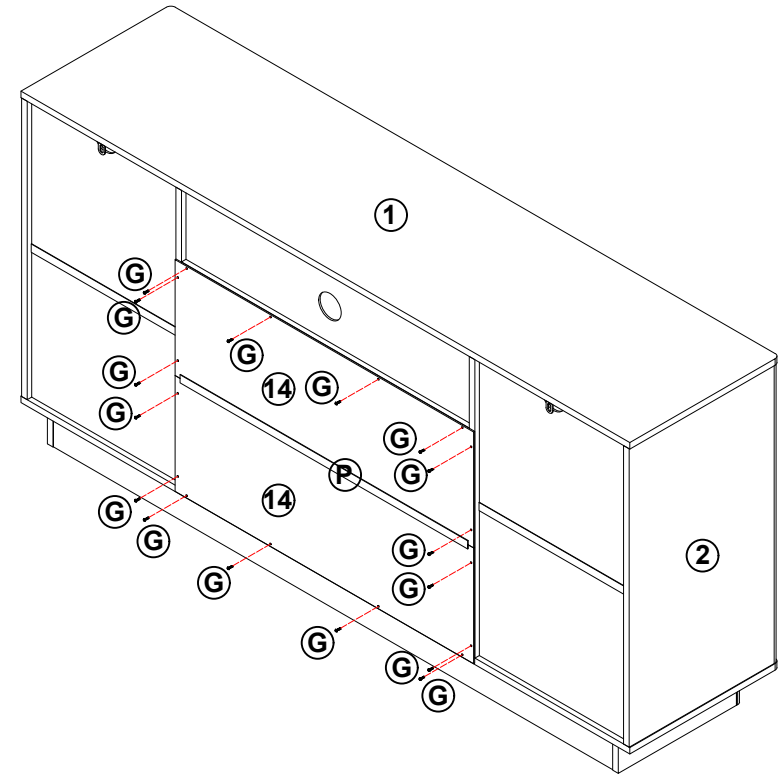
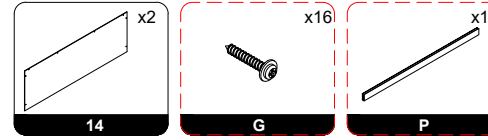


43

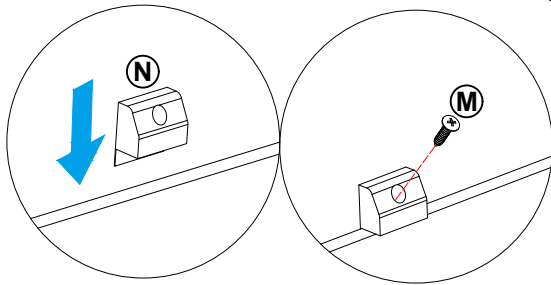
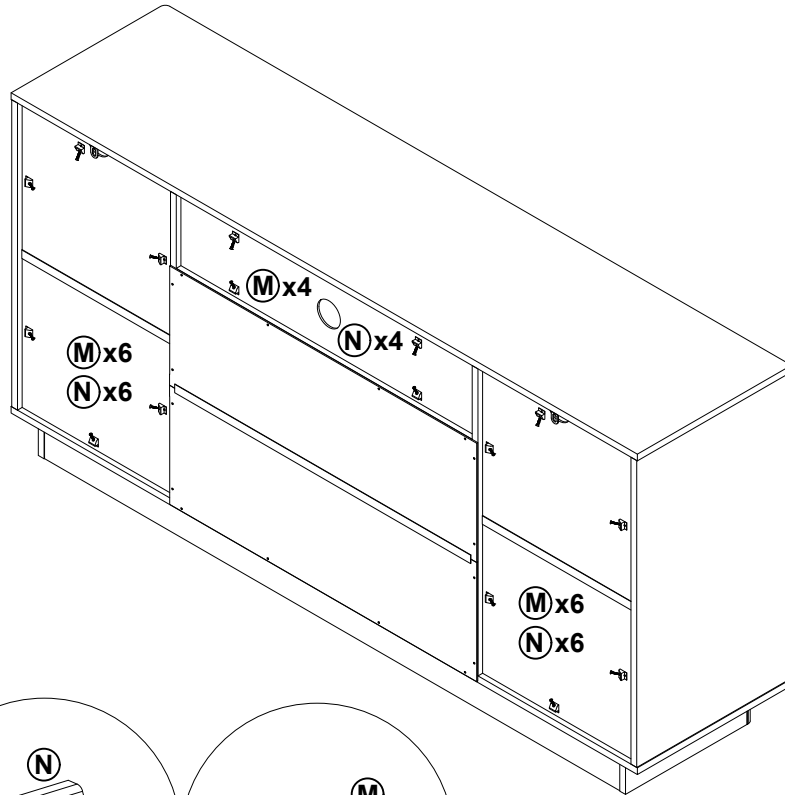
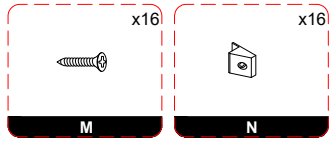
STEP 36



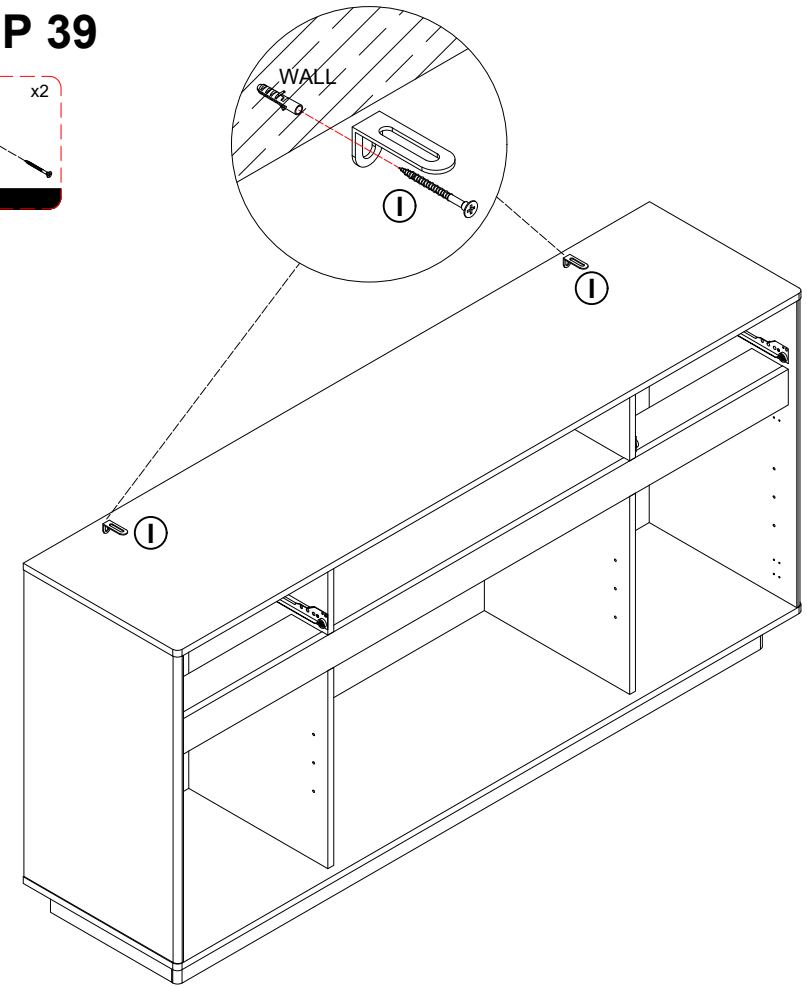
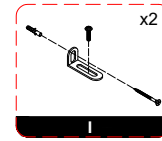
STEP 37



STEP 38



STEP 39



Wall Mounting Instructions

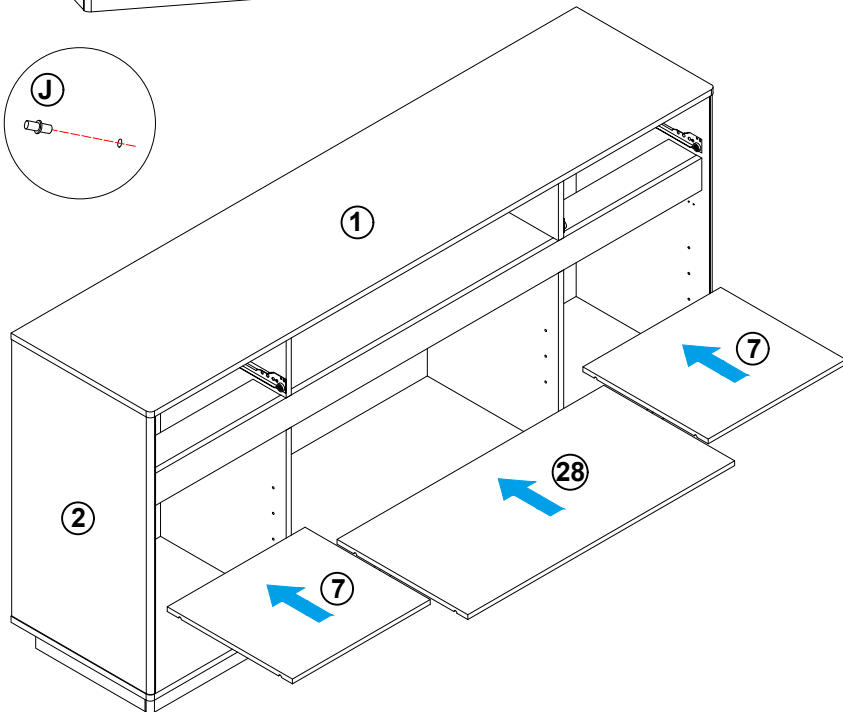
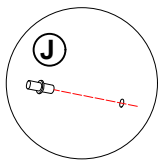
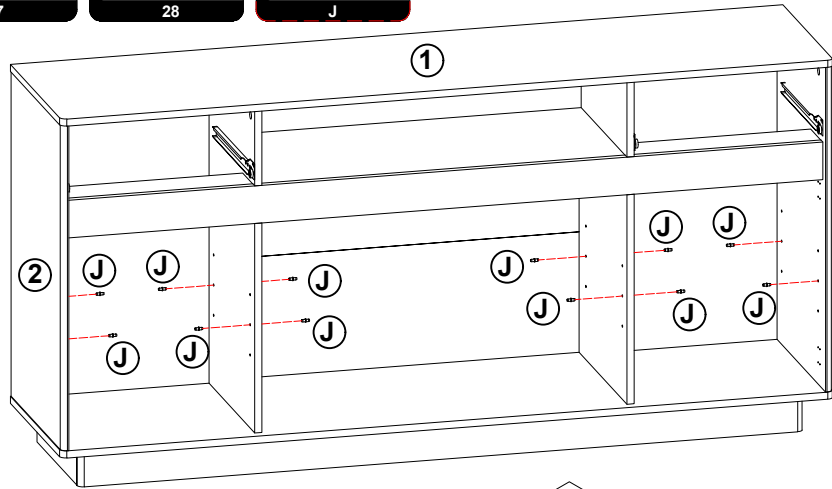
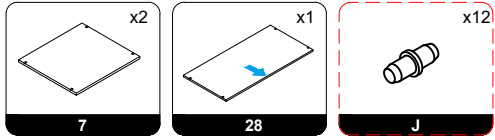
⚠ CAUTION — Risk of Furniture Tip-Over. Always anchor this furniture securely to the wall.

- Using the screws provided and a screwdriver, secure the mounting plate(s) to the back of the product.
- Noting the location of the product's mounting plate(s), mark the corresponding positions on the wall for the wall-mounted plate(s).
Drill pilot holes at the marked locations into a wall stud.

NOTE: If wall studs are not available, drill holes slightly smaller than the drywall anchors. Insert each anchor until its flange is flush with the wall.

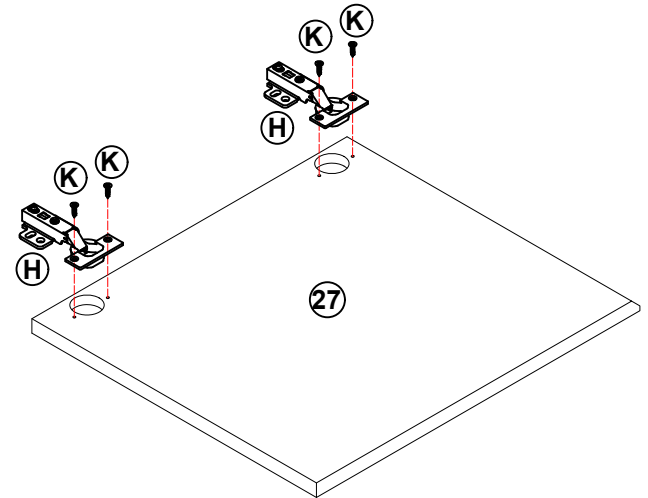
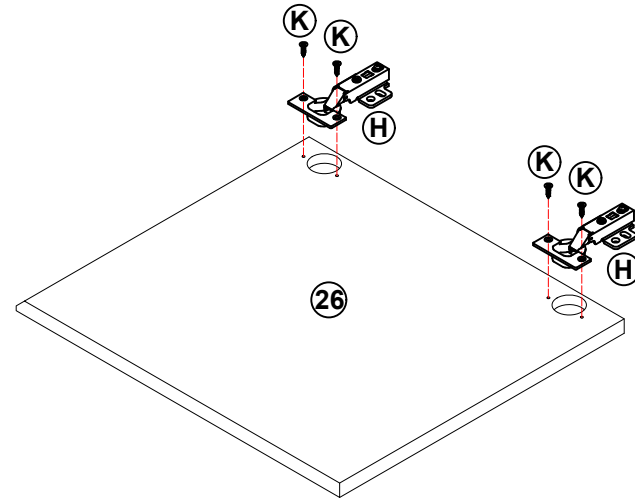
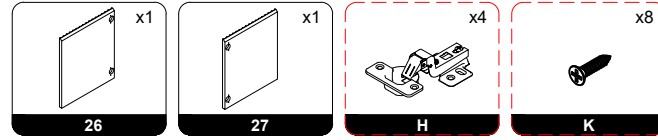
- Using a screwdriver, secure the mounting bracket(s) to the wall stud or to the drywall anchors using the screws provided.
- Position the product in its final location. Lace one end of the plastic tie(s) through both the wall-mounted plate and the product's mounting plate, then loop through the other end. Pull the tie(s) tight to remove slack. Do not overtighten.

STEP 40



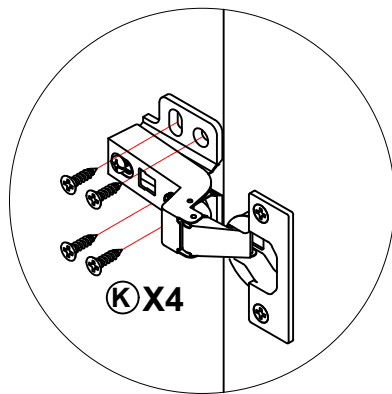
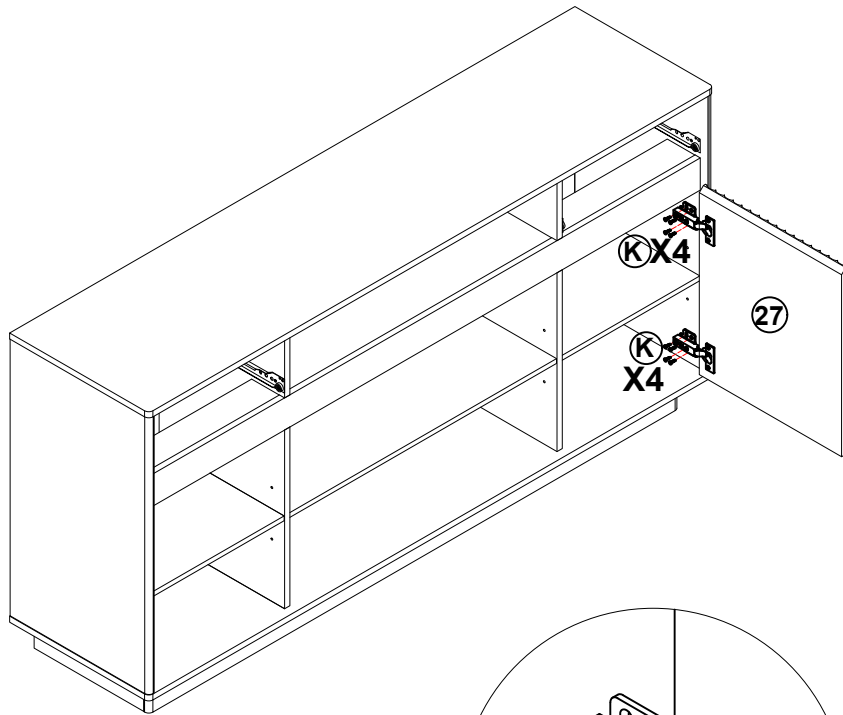
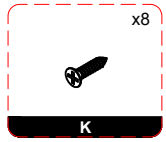
48

STEP 41

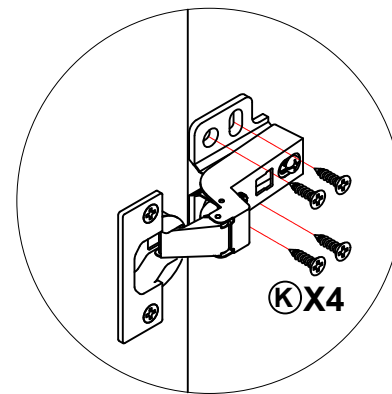
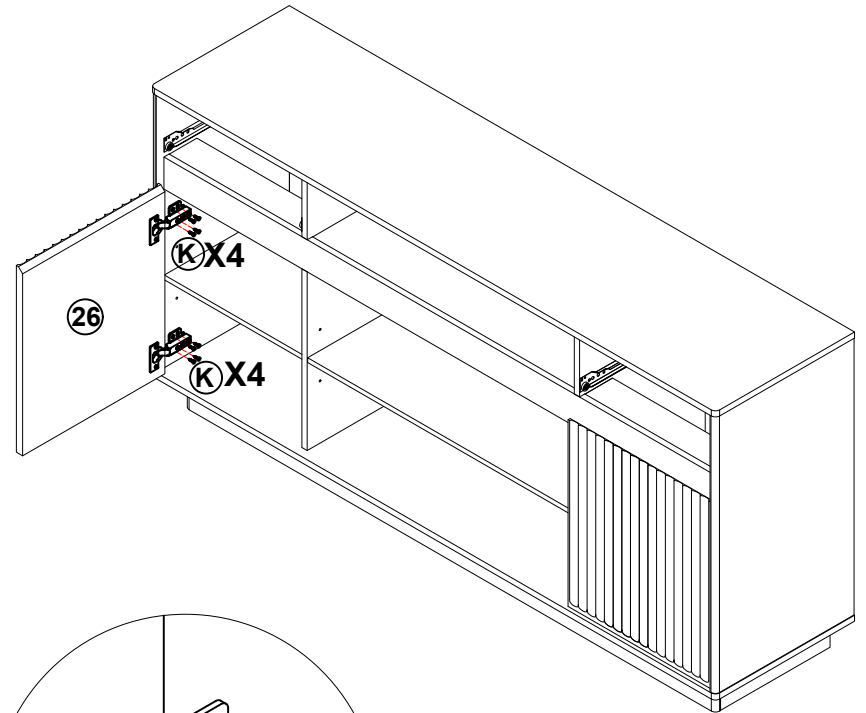
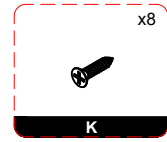


49

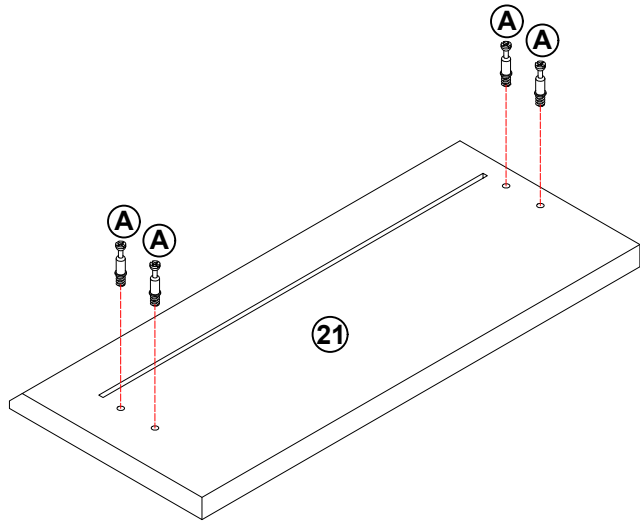
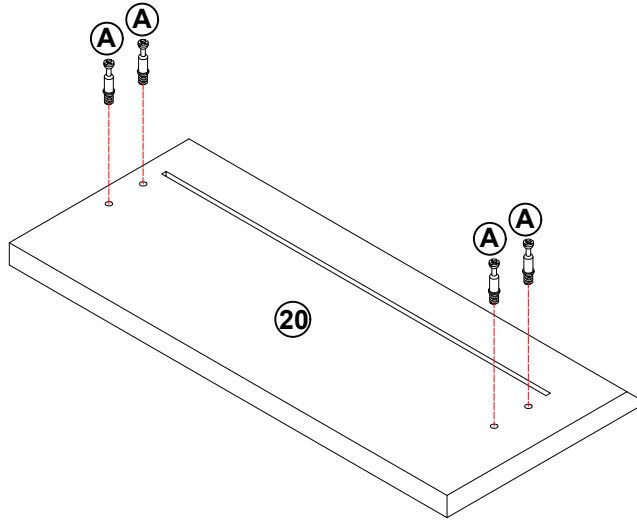
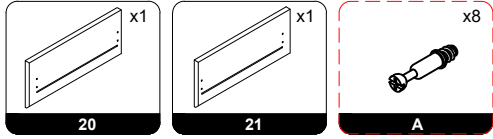
STEP 42



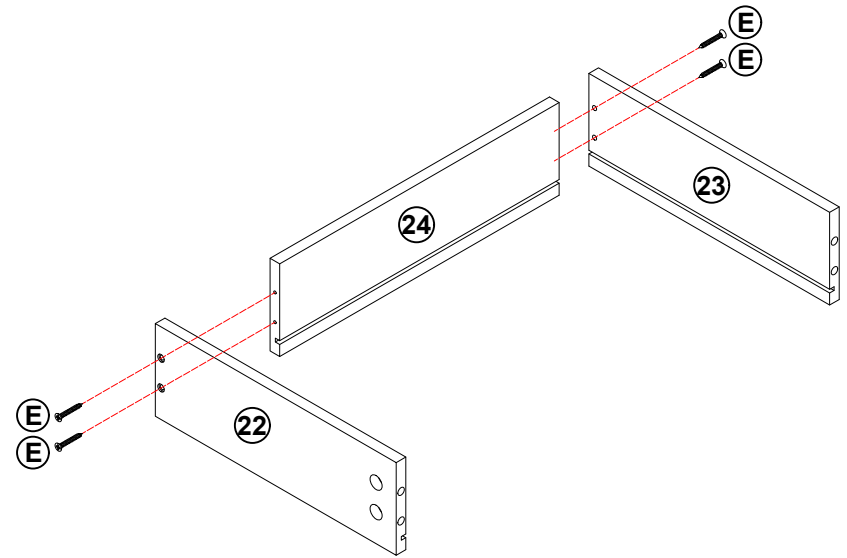
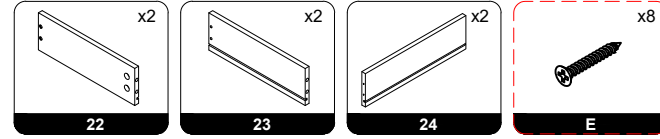
STEP 43



STEP 44

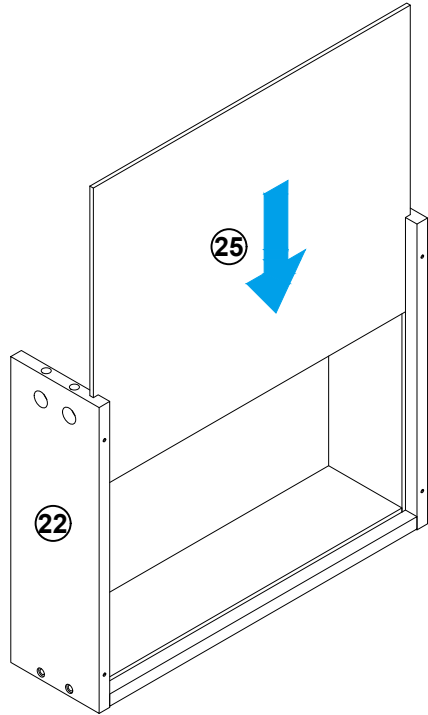
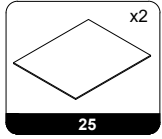


STEP 45



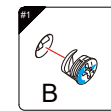
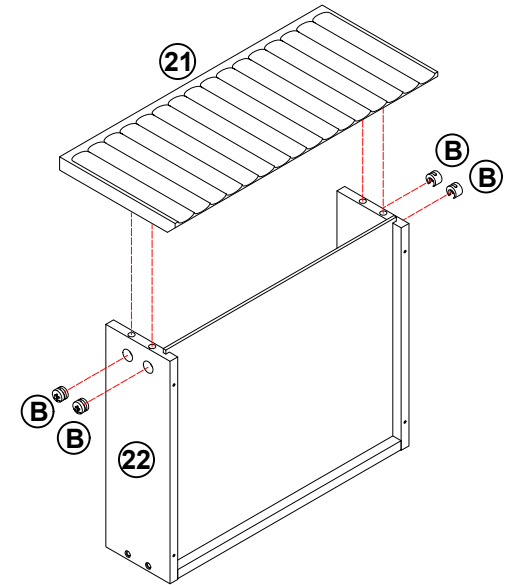
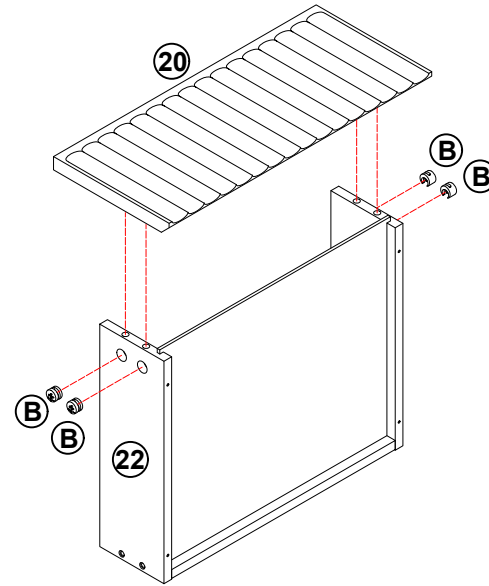
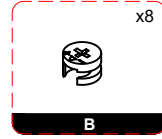
X2

STEP 46



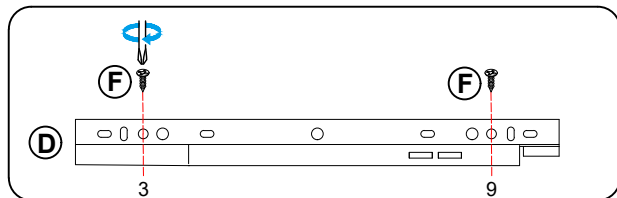
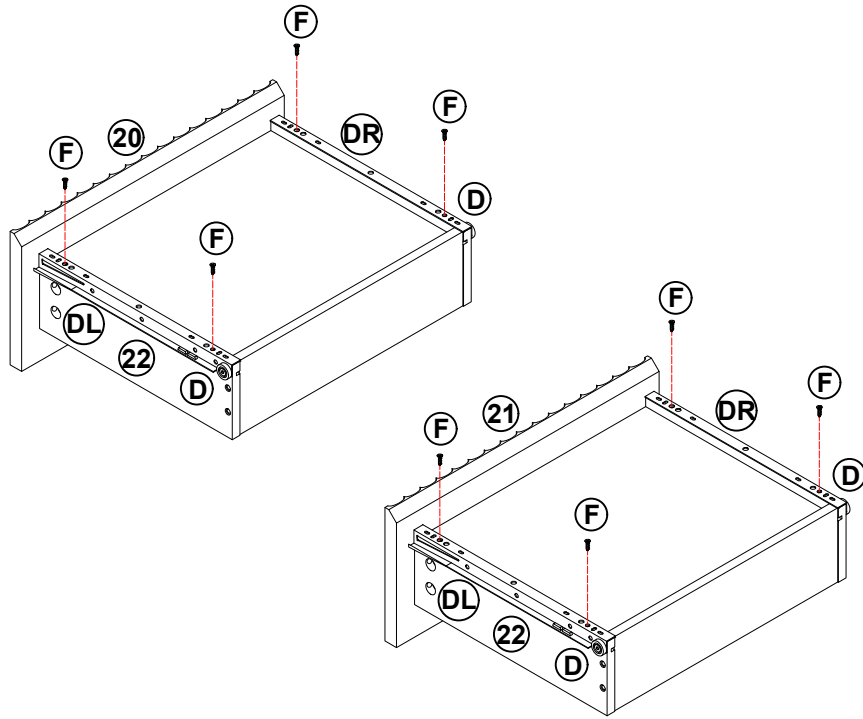
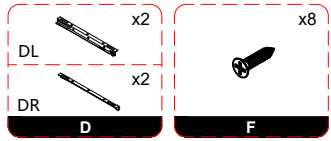
X2

STEP 47



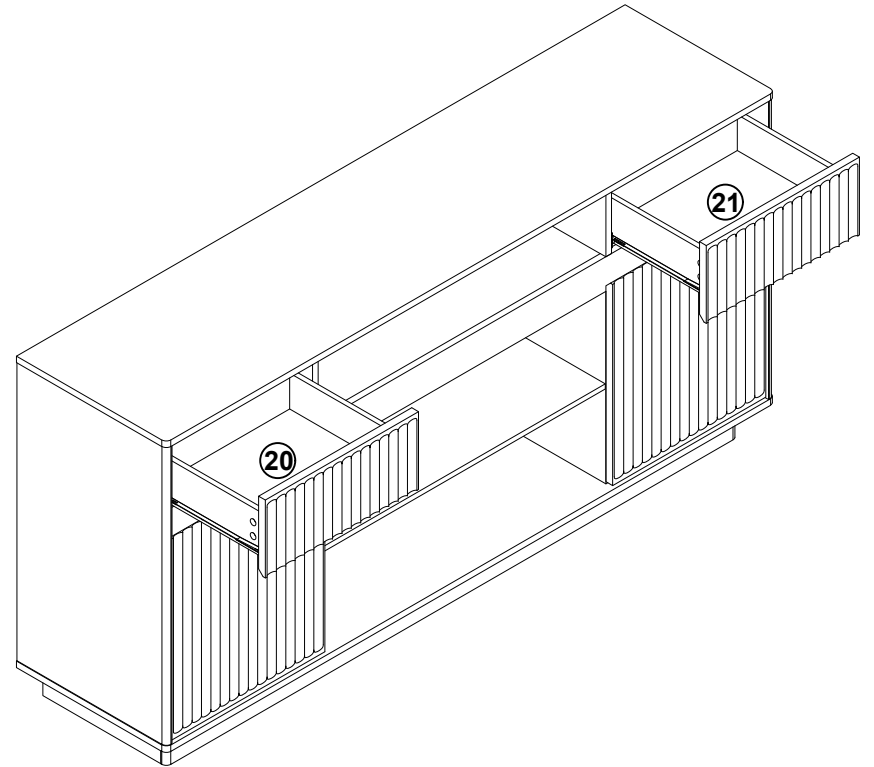
Note: the direction of the arrow.

STEP 48



56

STEP 49

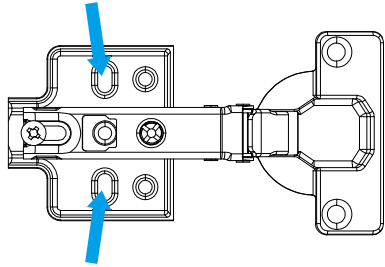


57

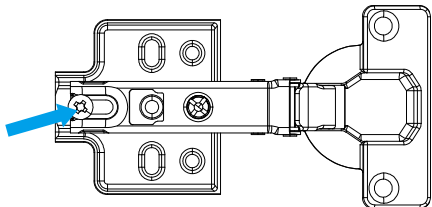
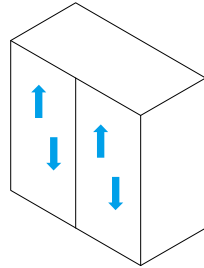
STEP 50



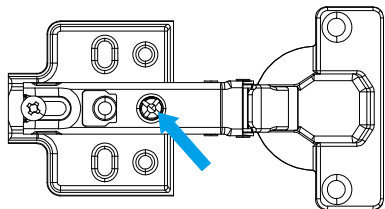
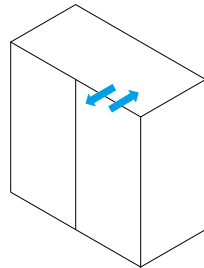
Loosen the hinge screws slightly, adjust the door up / down, Front / Back, or Left / Right until aligned, then retighten the screws.



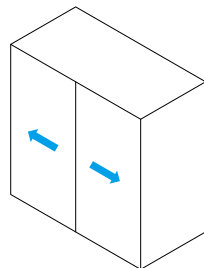
Up / Down



Front / Back



Left / Right



MAINTENANCE

- Wipe the surface with a soft, damp cloth and dry immediately.
- Avoid using chemical cleaners, solvents, or abrasive pads that could damage the finish.
- Do not place hot, wet, or heavy items directly on the surface.
- Keep the furniture away from direct sunlight and excessive humidity to prevent warping or discoloration.
- Check and tighten all screws periodically to maintain stability.

Warranty & Support

Limited Warranty

This product is backed by a limited warranty that covers manufacturing defects under normal household use.

Customer Service

If you have received a damaged product or are missing parts, please contact us directly for assistance. Do not return the product to the store.

When contacting us, please provide the following information:

- Order number or proof of purchase
- Clear photos showing the issue or damaged parts
- Product model number (as listed in this manual)

 Email: info@serviceprohelp.com

We will respond promptly with instructions for replacement parts or other solutions.

Thank you for choosing our product. Enjoy your new furniture!