



4-BURNER GAS GRILL

MODEL #BG2824BP
ITEM # GORCG031BR

READ AND FOLLOW ALL SAFETY INSTRUCTIONS SAVE
THESE INSTRUCTIONS

TABLE OF CONTENTS

Safety Information	2
Package Contents	5
Hardware Contents	7
Assembly Instructions	8
Natural Gas Conversion	18
Operating Instructions	22
Lighting Instructions	30
Care and Maintenance	31
Troubleshooting	33
Warranty	35

SAFETY INFORMATION

WARNING

For Outdoor Use Only (outside any enclosure)

WARNING

1. Improper installation, adjustment, alteration, service or maintenance can cause injury or property damage.
2. Read this instruction manual thoroughly before installing or servicing this equipment.
3. Failure to follow these instructions could result in fire or explosion, which could cause property damage, personal injury or death.
4. This instruction manual contains important information necessary for proper assembly and safe use of this appliance.

WARNING

1. Do not store or use gasoline or other flammable vapors and liquids in the vicinity of this or any other appliance.
2. An LP tank not connected for use should not be stored in the vicinity of this or any other appliance.

DANGER

If you smell gas:

1. Shut off gas to the appliance.
2. Extinguish any open flames.
3. Open the lid.
4. If the odor continues, keep away from the appliance and immediately call your gas supplier or fire department.

WARNING

1. Do not store or use gasoline or other flammable liquids or vapors in the vicinity of this or any other appliance.
2. An LP cylinder not connected for use should not be stored in the vicinity of this or any other appliance.

DANGER


If you smell gas:

1. Shut off gas to the appliance.
2. Extinguish any open flame.
3. Open lid.
4. If odor continues, keep away from the appliance and immediately call your gas supplier or your fire department.

DANGER

Never operate this appliance unattended. Save these instructions for future reference.

If you are assembling this unit for someone else, give this manual to him or her to read. Save for future reference.

 Always read and understand the WARNINGS and INSTRUCTIONS that are contained in this manual before attempting to use this gas barbecue grill to prevent possible bodily injury or property damage.

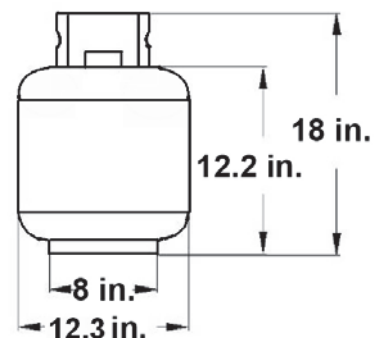
Always keep this manual for convenient future reference.

SAFETY INFORMATION

Please read and understand this entire manual before attempting to assemble, operate or install the product.

1. The installation of this appliance must conform with local codes or, in the absence of local codes, with either *the National Fuel Gas Code, ANSI Z223.1/NFPA 54*, or Natural Gas and Propane Installation Code, CSA/CGA-B149.1.
2. This grill is intended for use outdoors and should not be used in a building, garage or any other enclosed or covered area.
3. This outdoor grill is not intended for installation in or on recreation vehicles and/or boats.
4. A minimum clearance of 36 inches from combustible constructions to the sides of the grill and 36 inches from the back of the grill to combustible constructions must be maintained.
5. This outdoor cooking gas appliance must not be placed under overhead combustible construction.
6. The use of an electrical source requires that when installed, the grill must be electrically grounded in accordance with local codes or, in the absence of local codes, with ANSI/NFPA 70, or the Canadian Electrical Code, CSA C22.1. Keep electrical supply cords and the fuel supply hose away from heated surfaces.
7. Inspect the hoses before each use for excessive abrasion or wear, or cuts that may affect safe operation of the grill. If there is evidence of excessive abrasion or wear, or the hose is cut, it must be replaced prior to the grill being put into operation. The replacement hose assembly must be one specified by the manufacturer.
8. Keep your grill in an area clear and free from combustible materials, gasoline and other flammable vapors and liquids.
9. DO NOT obstruct the flow of combustion and ventilation air to this appliance.
10. Keep the ventilation openings of the tank enclosure free and clear from debris.
11. Check all gas connections for leaks with a soapy water solution and brush. Never use an open flame to check for leaks.
12. Never use charcoal in the grill.
13. Never use the grill in windy areas.

14. Only a 20 lb. LP-gas cylinder is allowed. The cylinder must be constructed and marked in accordance with the Specifications for LP Gas Cylinders of the U.S. Department of Transportation (D.O.T.) or the National Standard of Canada, CAN/CSA-B339, Cylinders, Spheres and Tubes for Transportation of Dangerous Goods; and Commission. A 20 lb. LP-Gas cylinder's dimensions are:



15. Never use the grill without the drip tray installed and hung under the burner box. Without the drip tray, hot grease and debris could leak downward and produce a fire hazard.
16. Use only the gas pressure regulator supplied with this appliance. This regulator is set for an outlet pressure of 11.0 in wc.

SAFETY INFORMATION

17. The cylinder used must include a collar to protect the cylinder valve.
18. Do not store a spare LP-gas cylinder under or near this appliance.
19. Never fill the cylinder beyond 80 percent full.
20. If the information in “17” and “18” is not followed exactly, a fire causing death or serious injury may occur.
21. The outdoor cooking gas appliance must be isolated from the gas supply piping system by closing its individual manual shutoff valve during any pressure testing of the gas supply system at test pressures equal to or less than 1/2 PSI (3.5 KPA).

⚠ CALIFORNIA PROPOSITION 65 WARNING:

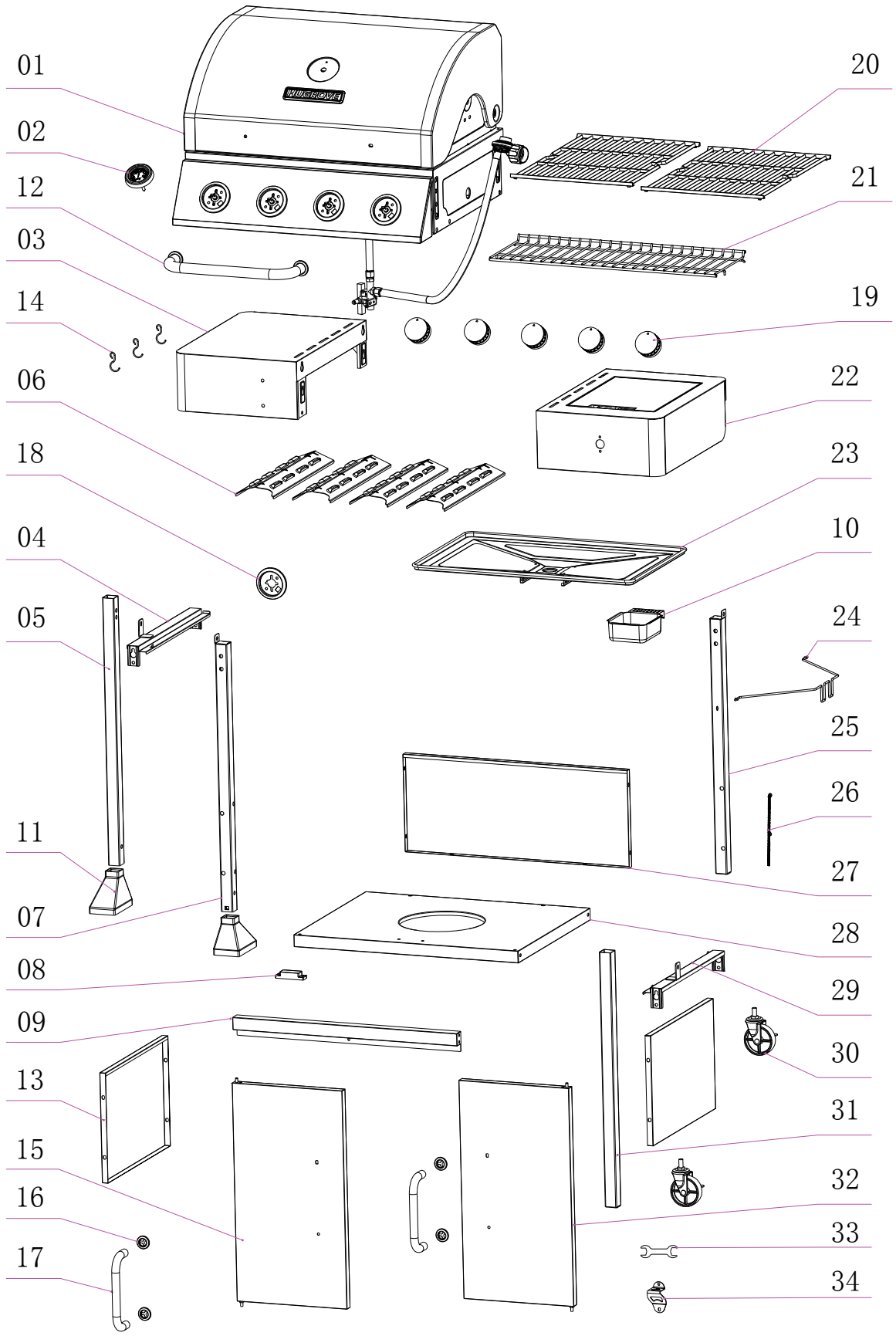
- (a) The burning of gas cooking fuel generates some byproducts which are on the list of substances known by the state of California to cause cancer, reproductive harm, or other birth defects. To reduce exposure to these substances, always operate this unit according to the use and care manual, ensuring you provide good ventilation when cooking with gas.
- (b) Handling the brass material on this product exposes you to lead, a chemical known to the state of California to cause cancer and birth defects or other reproductive harm. Wash hands after handling.
- (c) This product contains chemicals, including lead and lead compounds, known by the state of California to cause cancer, reproductive harm, or other birth defects.
- (d) **Wash your hands after using this product.**

⚠ IMPORTANT: We urge you to read this manual carefully and follow the recommendations enclosed. This will ensure you receive the most enjoyable and trouble-free operation of your new gas grill. We also advise you retain this manual for future reference.

⚠ WARNING: Your grill has been designed to operate using only the gas specified by the manufacturer on the rating plate. Do not attempt to operate your grill with other gases.
Failure to follow this warning could lead to a fire hazard and bodily harm and will void your warranty.

⚠ WARNING: Make certain your LP (propane) tank is filled by a reputable propane dealer. An incorrectly filled or overfilled LP tank can be dangerous. The overfilled condition combined with the warming of the LP tank (a hot summer day, tank left in the sun, etc.) can cause LP gas to be released by the pressure regulator valve on the tank since the temperature increase causes the propane to expand. LP gas released from the tank is flammable and can be explosive. Refer to your Owner’s Manual for more information concerning filling your LP tank.

PACKAGE CONTENTS

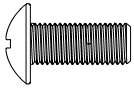


PACKAGE CONTENTS

PART	DESCRIPTION	QTY	PART	DESCRIPTION	QTY
1	Lid & Firebox Assembly	1	18	Knob Bezel	1
2	Thermometer	1	19	Knob	5
3	Left Side Shelf	1	20	Cooking Grate	2
4	Left Drip Tray Support	1	21	Warming Rack	1
5	Left Front Leg	1	22	Right Side Shelf	1
6	Flame Tamer	4	23	Drip Tray	1
7	Left Back Leg	1	24	Gas Cylinder Hook	1
8	Magnet	1	25	Right Back Leg	1
9	Door Beam	1	26	Match Holder	1
10	Grease Cup	1	27	Back Board	1
11	Leg End Cap	2	28	Bottom Panel	1
12	Lid Handle	1	29	Right Drip Tray Support	1
13	Cart Side Panel	2	30	Lockable Caster	2
14	Tool Hook	3	31	Right Front Leg	1
15	Left Door	1	32	Right Door	1
16	Door Handle Bezel	4	33	17x19mm Wrench	1
17	Door Handle	2	34	Bottle Opener	1

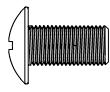
HARDWARE CONTENTS

A



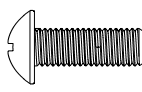
M6x16 mm
Screw
Qty.14

B



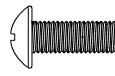
M6x12 mm
Screw
Qty.30

C



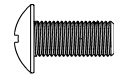
M5x16 mm
Screw
Qty.4

D



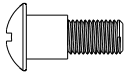
M4x16 mm
Screw
Qty.2

E



M4x8 mm
Screw
Qty.2

F



M5x14 mm
Step Screw
Qty.1

PREPARATION

Before beginning assembly of product, make sure all parts are present. Compare parts with package contents list and hardware contents list. If any part is missing or damaged, do not attempt to assemble the product.

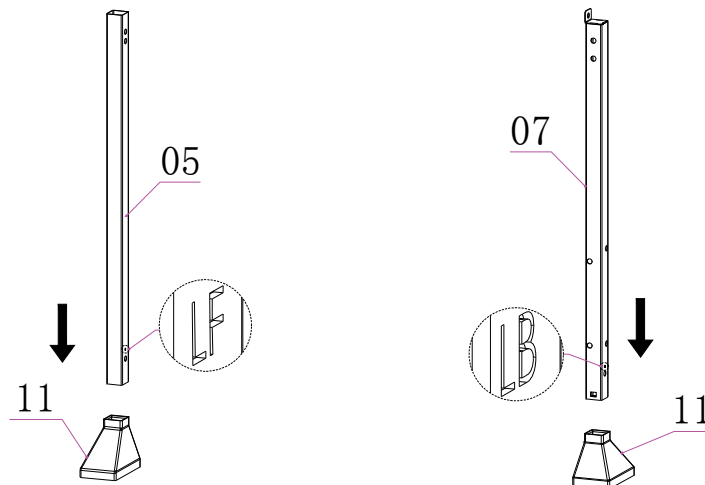
Estimated Assembly Time: Approximately 1 hour (two people recommended)

Tools Required for Assembly: Phillips Screwdriver (not included), 17x19mm Wrench (included, part #33)

ASSEMBLY INSTRUCTIONS

⚠ CAUTION: Do not over-tighten the hardware. Over-tightening may cause the thread to come loose or damage the surface. Assemble on flat and soft surface to avoid scratching.

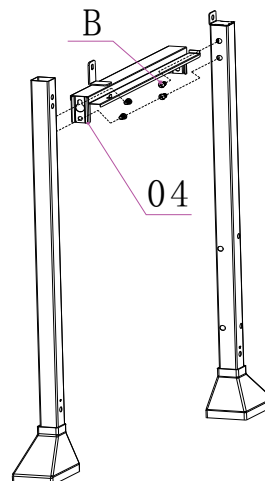
1. Put Left Front Leg (5) and Left Back Leg (7) into Leg End Caps (11) as shown.



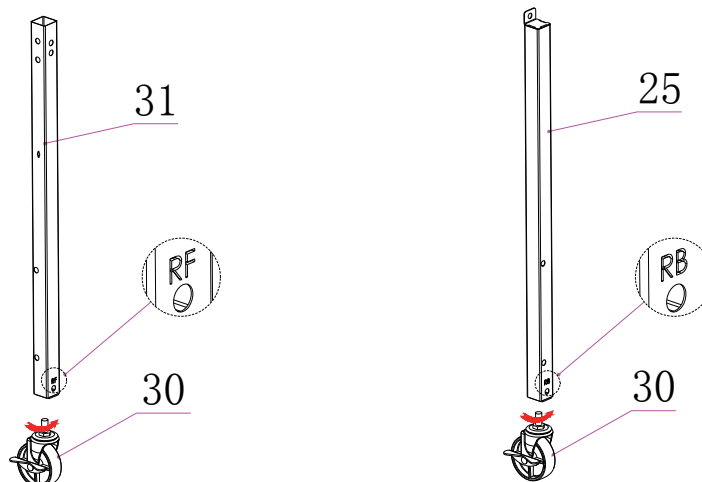
2. Attach Left Drip Tray Support (4) to the Left Front Leg (5) and Left Back Leg (7) using four screws (B).

Hardware Used

B M6x12 mm Screw  x4



3. Attach Lockable Caster (30) to the Right Front Leg (31) and Right Back Leg (25) using the 17x19mm Wrench (33).

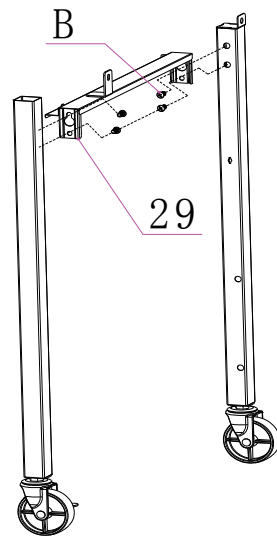


ASSEMBLY INSTRUCTIONS

4. Attach Right Drip Tray Support (29) to the Right Front Leg (31) and Right Back Leg (25) using four screws (B).

Hardware Used

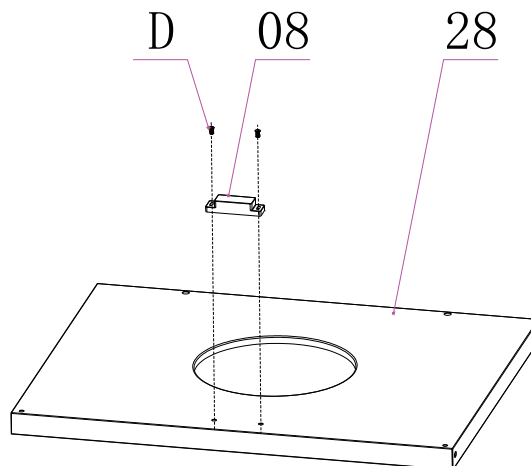
B M6x12 mm Screw  x4



5. Attach Magnet (8) to the Bottom Panel (28) using two screws (D).

Hardware Used

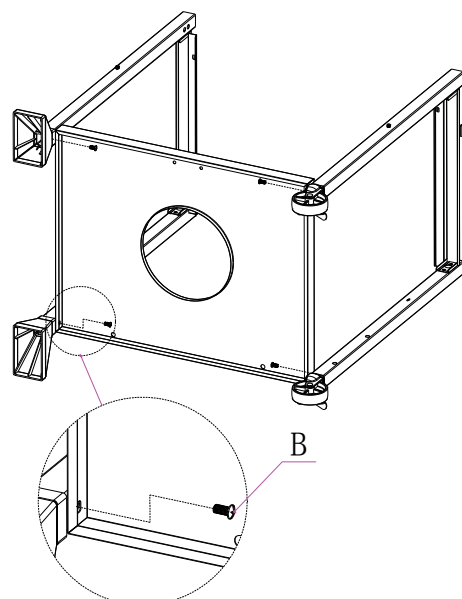
D M4x16 mm Screw  x2



6. Attach Left and Right Leg Assembly to the Bottom Panel (28) using four screws (B).

Hardware Used

B M6x12 mm Screw  x4

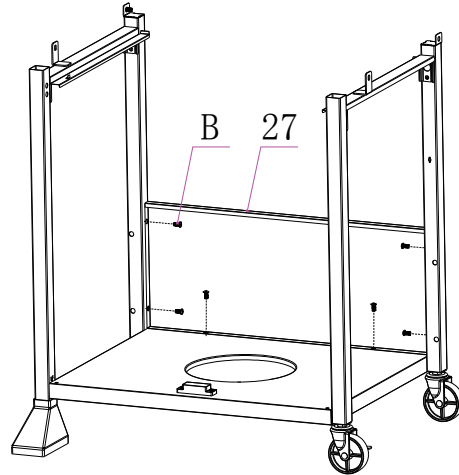


ASSEMBLY INSTRUCTIONS

7. Attach Back Board (27) to the cart frame using six screws (B).

Hardware Used

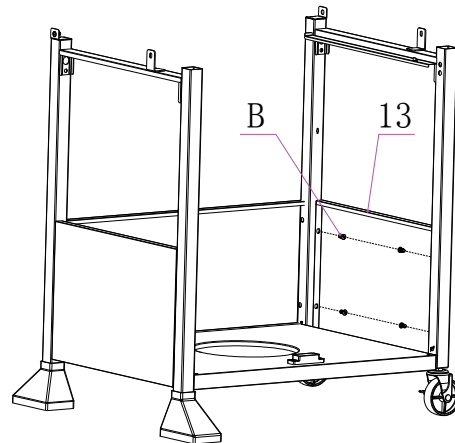
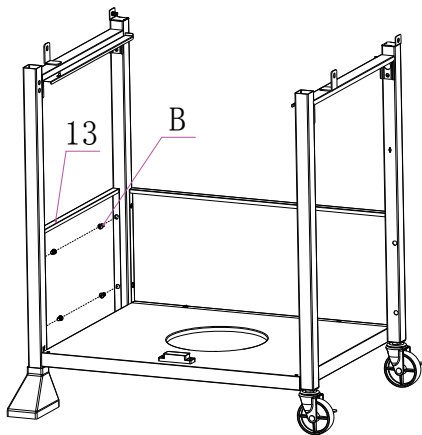
B M6x12 mm Screw  x6



8. Attach Cart Side Panels (13) to the cart frame using eight screws (B).

Hardware Used

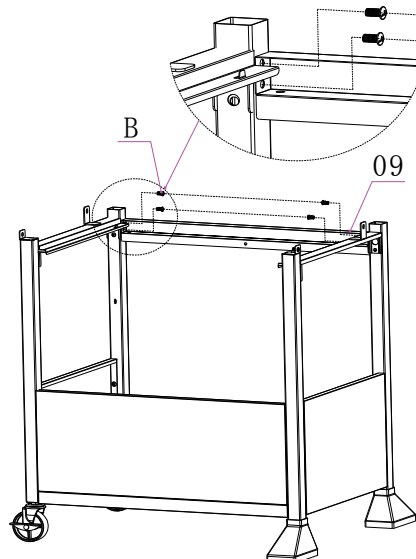
B M6x12 mm Screw  x8



9. Attach Door Beam (9) to the cart frame using four screws (B).

Hardware Used

B M6x12 mm Screw  x4

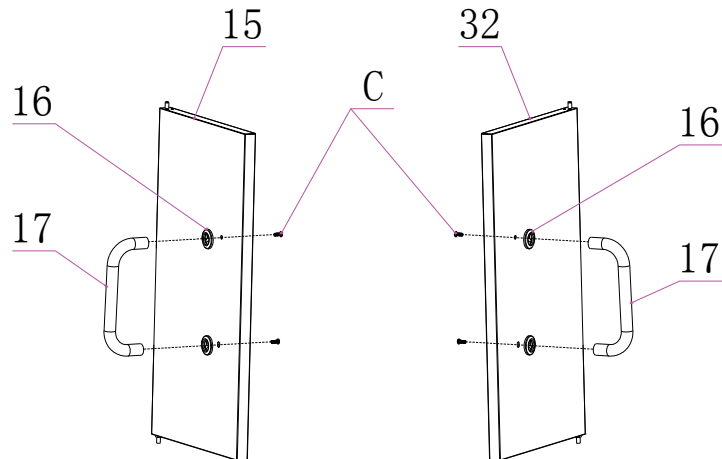


ASSEMBLY INSTRUCTIONS

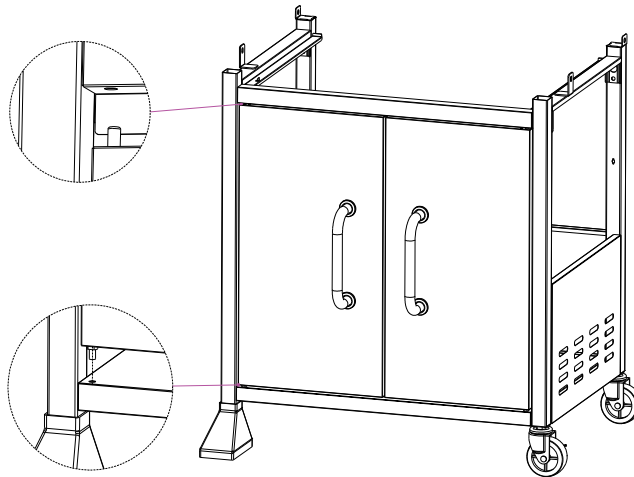
10. Attach Door Handle (17) and Door Handle Bezel (16) to the Left Door (15) and Right Door (32) using four screws (C).

Hardware Used

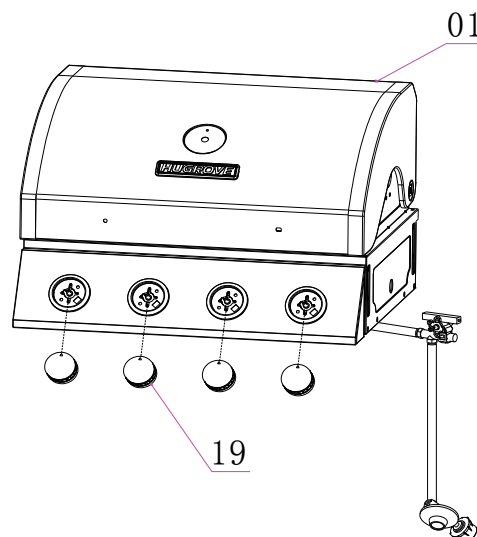
C M5x16 mm Screw  x4



11. Attach doors to the Cart. **⚠ CAUTION: Do not apply excessive force.**
- 11.1. Insert the door axis into the hole of the bottom panel as shown.
- 11.2. Press the spring latch into the hole of the door beam as shown.
- 11.3. Adjust the front and back position of the magnet. After the left and right doors are tightly attracted by the magnet, the front edge of the door panel and the bottom plate will be flush.

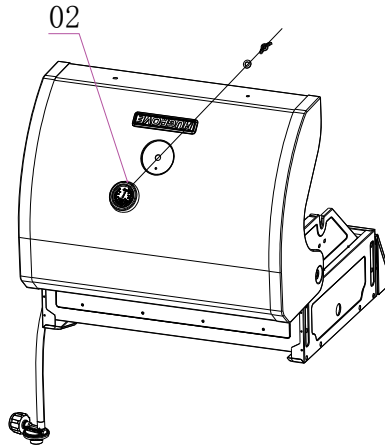


12. Attach the Knobs (19) as shown. **⚠ CAUTION: Do not apply excessive force.**

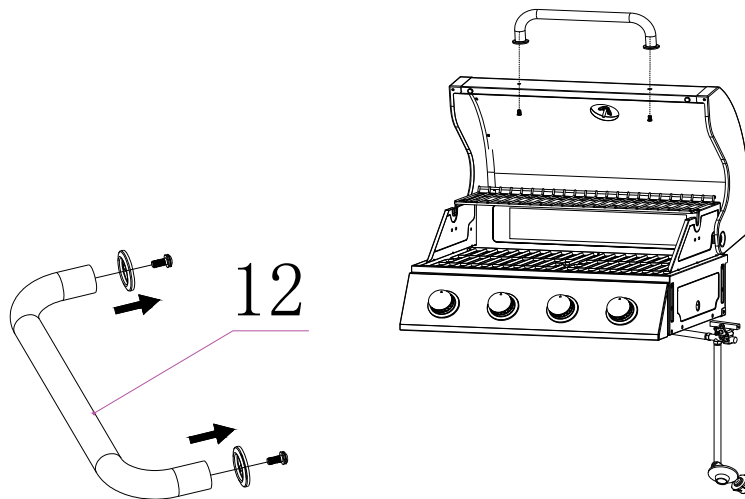


ASSEMBLY INSTRUCTIONS

13. Attach the Thermometer (2) as shown.



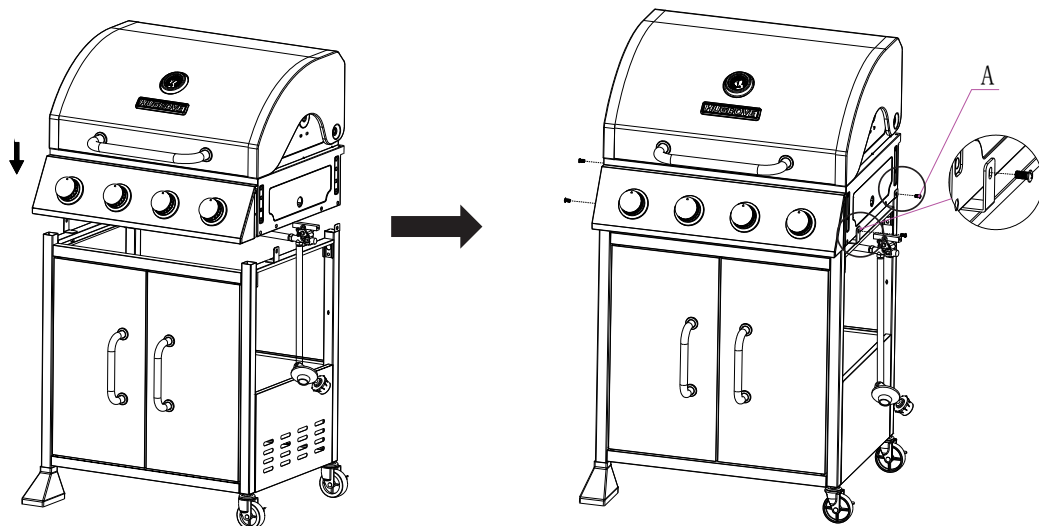
14. Remove the pre-assembled Lid Bezels, screws from the Lid Handle (12), then attach the Handle to the Lid Assembly using the removed screws.



15. Attach the Lid & Firebox Assembly onto the cart and fasten the four screws (A) as shown.

Hardware Used

A M6x16 mm Screw  x4



ASSEMBLY INSTRUCTIONS

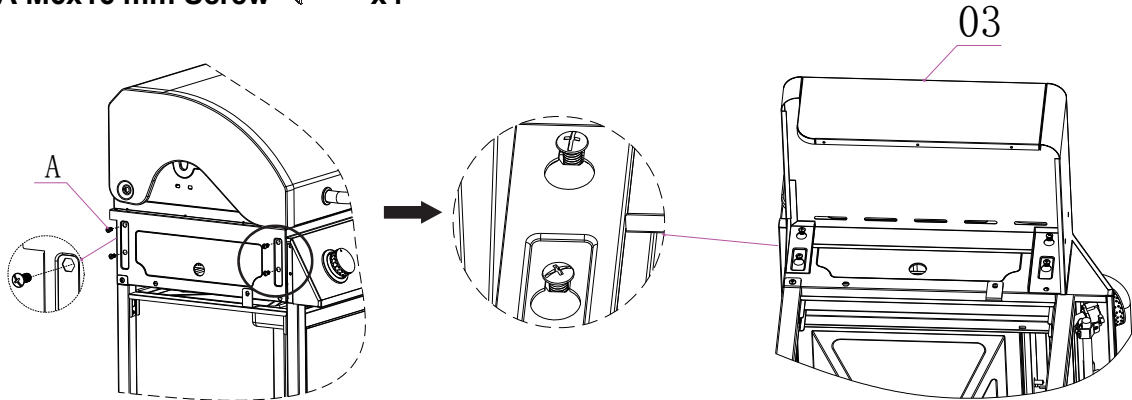
16. Attach Left Side Shelf to the Firebox.

16.1. Insert four screws (A) into the four holes on the left side of the firebox. Leave the screw heads protruding approximately 0.2 inches.

16.2. Hang the Left Side Shelf (3) onto the screws (A).

Hardware Used

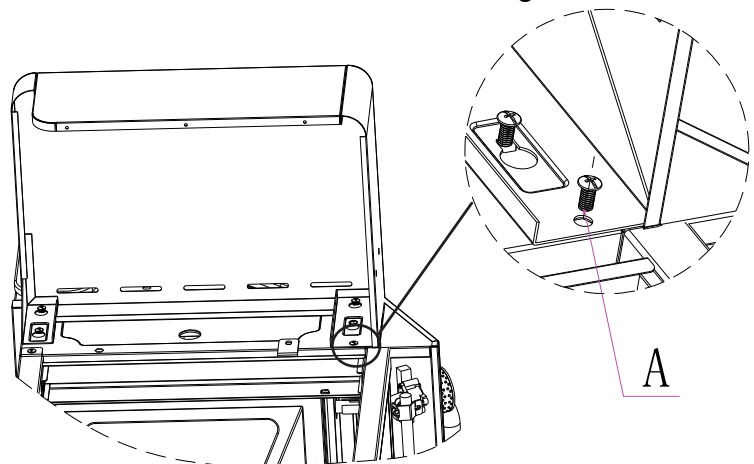
A M6x16 mm Screw  x4



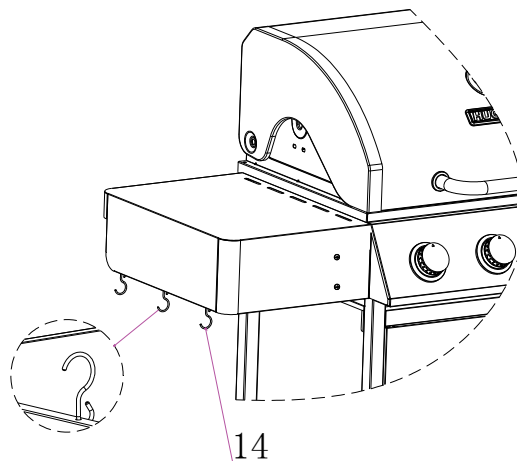
17. Insert one screw (A) into the lower hole on the left side of the firebox. Fully tighten all five screws from Steps 16 and 17 to secure the shelf to the grill.

Hardware Used

A M6x16 mm Screw  x1



18. Attach Tool Hook (14) to the Left Side Shelf as shown.



ASSEMBLY INSTRUCTIONS

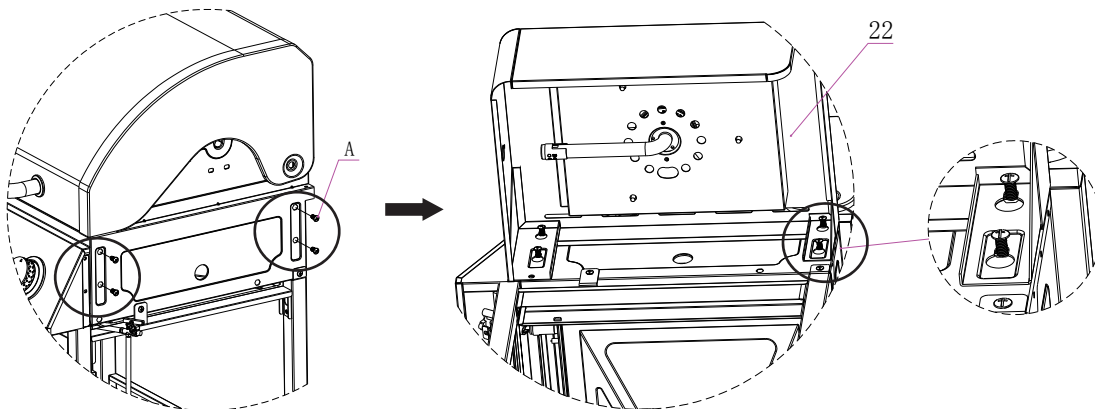
19. Attach Right Side Shelf to the Firebox.

19.1. Insert four screws (A) into the four holes on the right side of the firebox. Leave the screw heads protruding approximately 0.2 inches.

19.2. Hang the Right Side Shelf (22) onto the screws (A).

Hardware Used

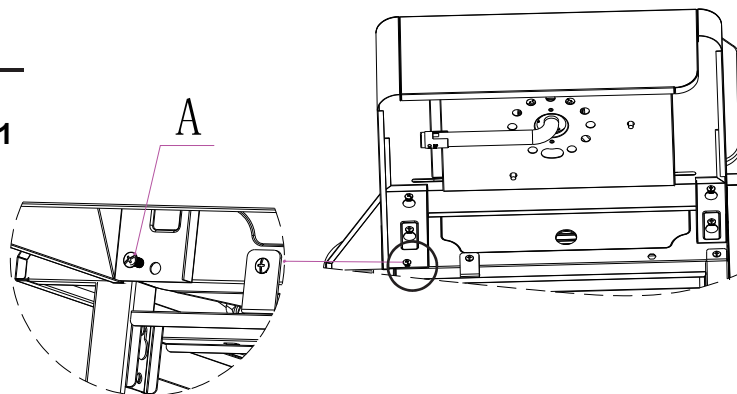
A M6x16 mm Screw  x4



20. Insert one screw (A) into the lower hole on the right side of the firebox. Fully tighten all five screws from Steps 19 and 20 to secure the shelf to the grill.

Hardware Used

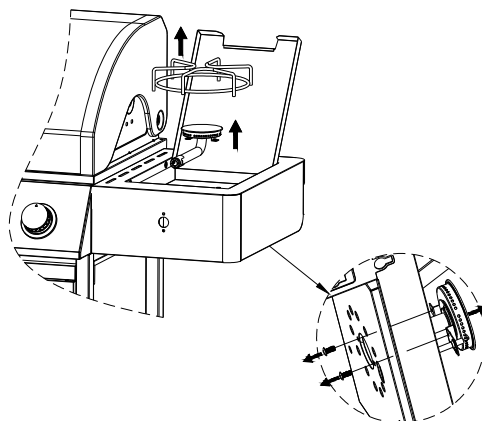
A M6x16 mm Screw  x1



21. Disassemble Side Burner and Side Burner Rack.

21.1. Remove the Side Burner Rack.

21.2. Disassemble the Right Side Burner from the side shelf tray by loosening the two screws as shown.

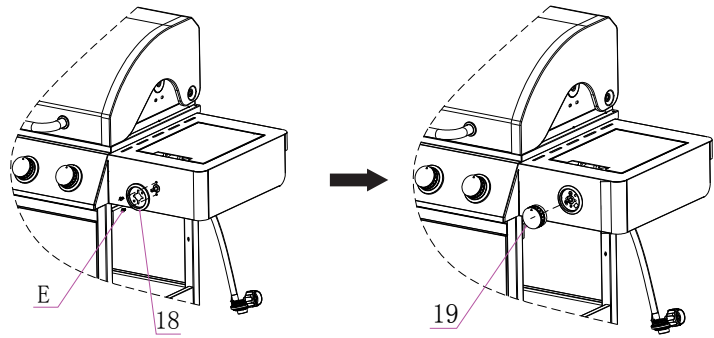


ASSEMBLY INSTRUCTIONS

22. Attach Knob Bezel (18) to Right Side Shelf Front Panel with Side Burner Valve using two screws (E), then attach the Knob (19) as shown.

Hardware Used

E M4x8 mm Screw  x2



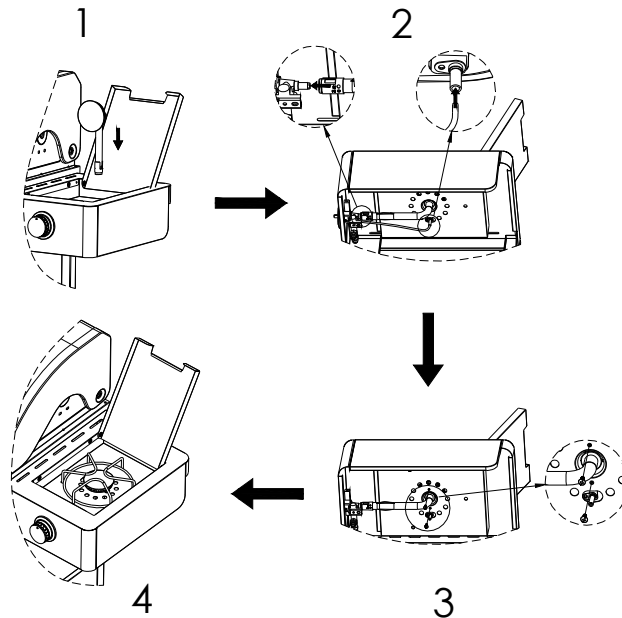
23. Assemble Side Burner, Side Burner Rack.

23.1. Replace the Right Side Burner.

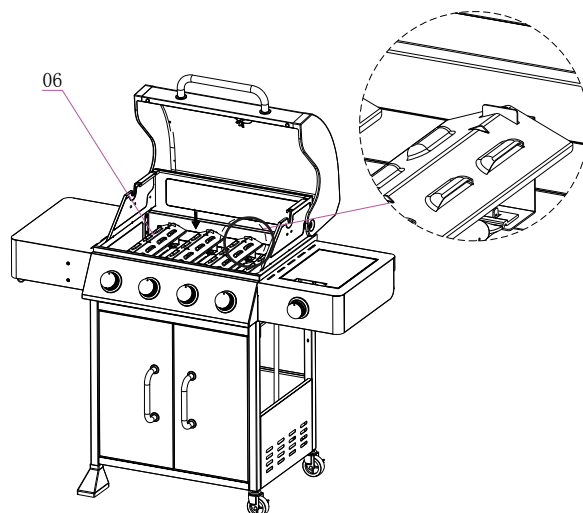
23.2. Make sure side burner injector inserts into the burner tube, and then insert the ignition wire as shown.

23.3. Fasten the two screws as shown.

23.4. Attach the Right Side Burner Rack.

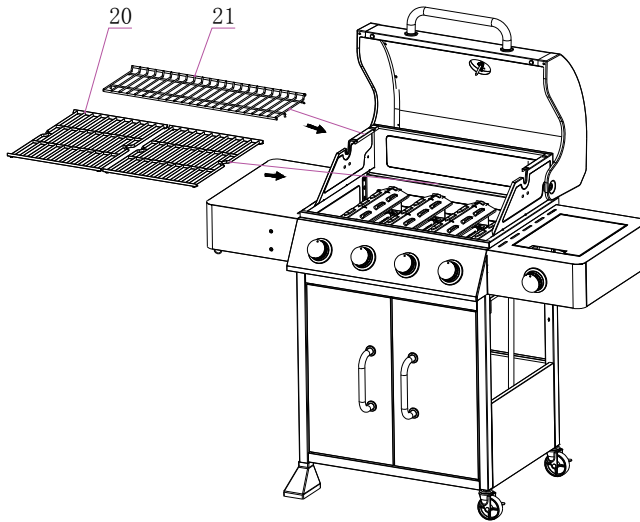


24. Place the Flame Tamers (6) as shown.

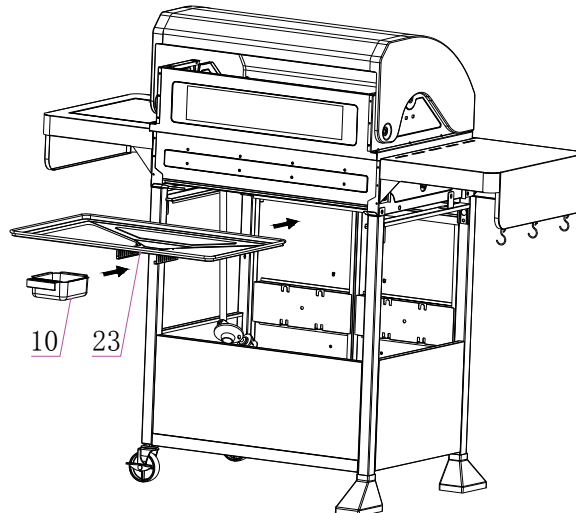


ASSEMBLY INSTRUCTIONS

25. Place the Cooking Grates (20) and Warming Rack (21) as shown.



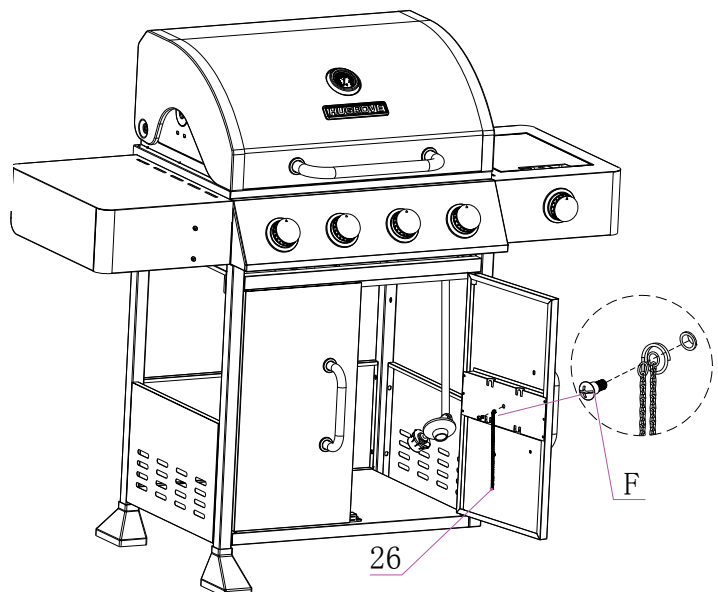
26. Place the Drip Tray (23) and Grease Cup (10) as shown.



27. Attach the Match Holder (26) to the Right Door using one screw (F)

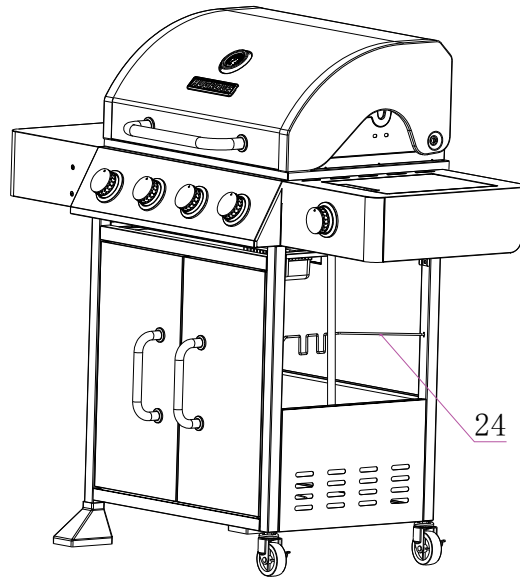
Hardware Used

F M5x14 mm Step Screw x1

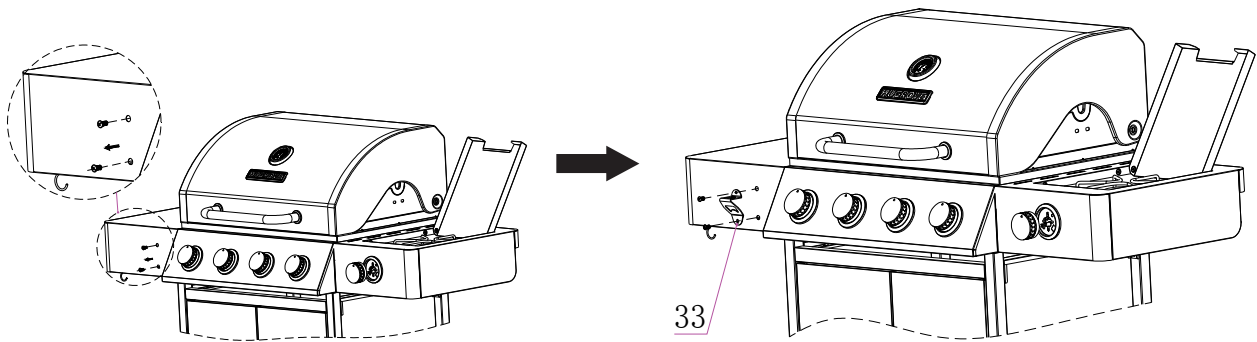


ASSEMBLY INSTRUCTIONS

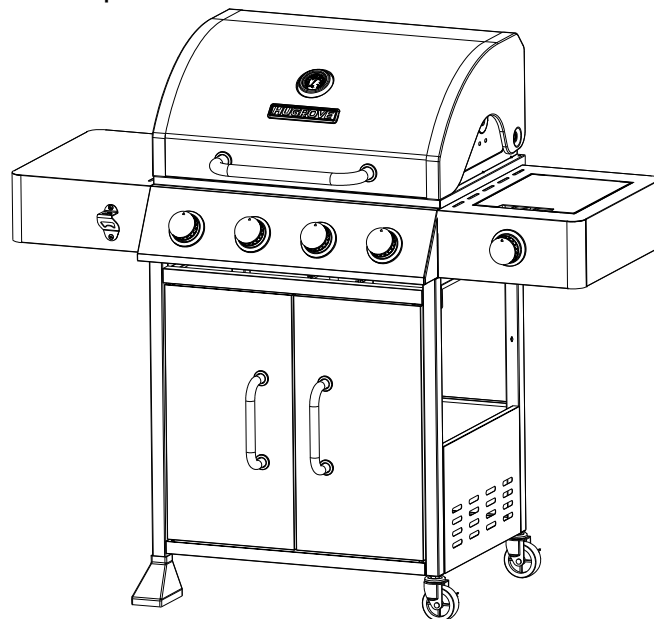
28. Attach the Gas Cylinder Hook to the Cart as shown.



29. Remove the pre-assembled two M6x12 screws from the Left Side Shelf, and then attach the Bottle Opener (33) to the Left Side Shelf using the removed screws.



30. Assembly is now complete.



NATURAL GAS CONVERSION

⚠ WARNING:

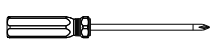



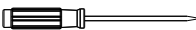
Place the grill on a flat, level surface.

Before conversion, make sure all control knobs are in the OFF position, LP tank valve is closed, and tank is disconnected from regulator and removed from grill.

NG Orifice Used (not included) :

	Main Burner	Side Burner
Diameter	Ø1.34mm	Ø1.46mm
QTY	4	1

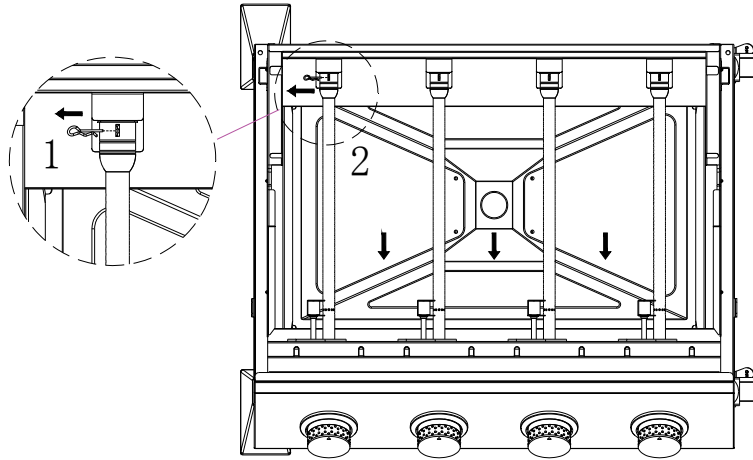
Tools Required for Conversion (not included):

Phillips screwdriver	Socket	NG Hose	17x19mm Wrench	Flathead screwdriver
				

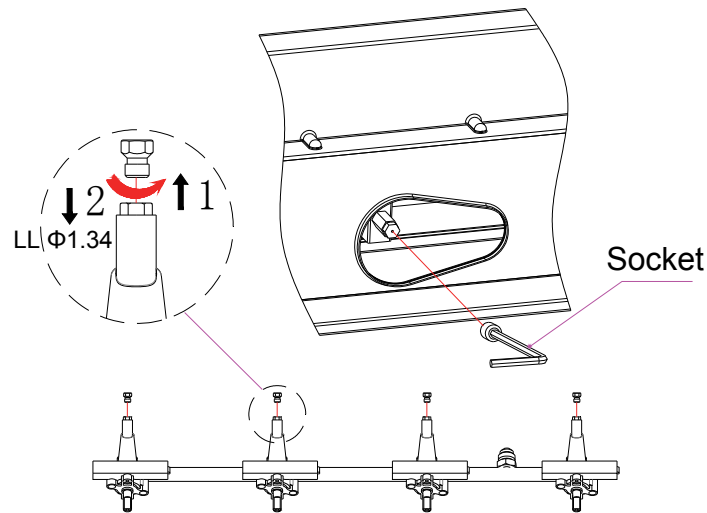
1. Turn off gas supply and then remove cap on gas supply side.
2. Recommended: Install a shut-off valve on gas supply side before installing the socket.
3. The Socket should be installed by an authorized technician in accordance with the national fuel gas code (NFPA 54/ANSI223.1).
4. Before inserting plug, turn on gas supply and leak test all connections including the stem of the shut-off valve and the opening of the socket. For best results, use an ammonia-free soap and water solution.

NATURAL GAS CONVERSION

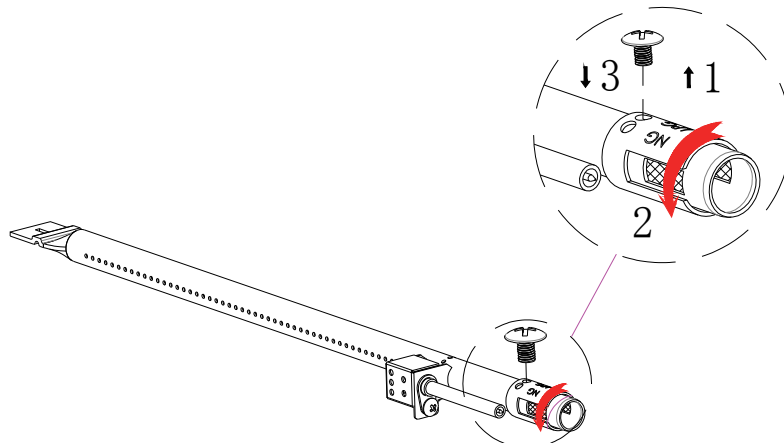
1. Remove the cotter pins at the back of main burners to detach burners from the bracket. Lift back of main burners while sliding burners out of firebox, disengaging main burners from valves as shown.



2. Unscrew the orifice from the valve with the Socket, install the new orifices ($\text{Ø}1.34\text{mm}$) into the valves and secure with the Socket. Repeat this step for all four MAIN burners.

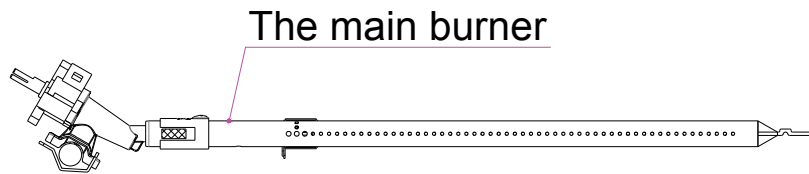


3. Unscrew the pre-assembled screw with Phillips Screwdriver as shown, then rotate the air shutter opening counterclockwise, adjusting it from the LPG setting to the NG setting. Replace the pre-assembled screw, thus securing the air shutter opening.

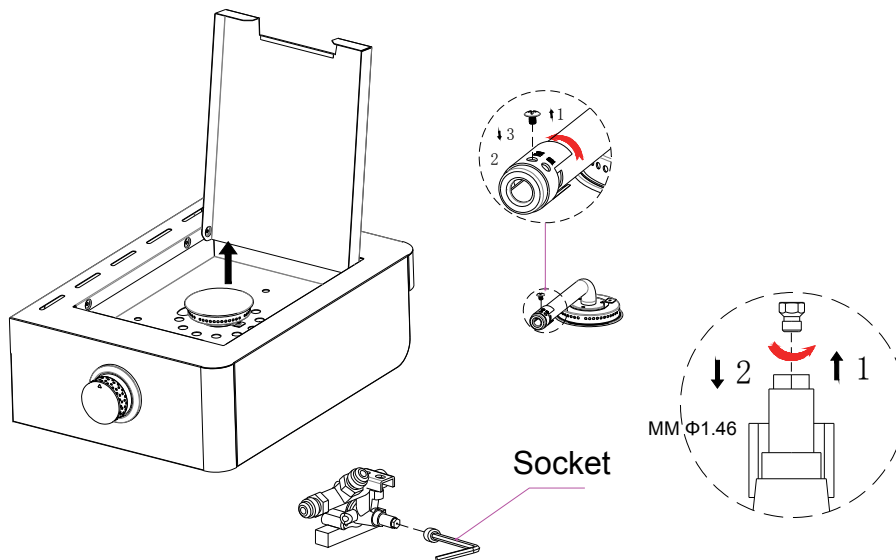


NATURAL GAS CONVERSION

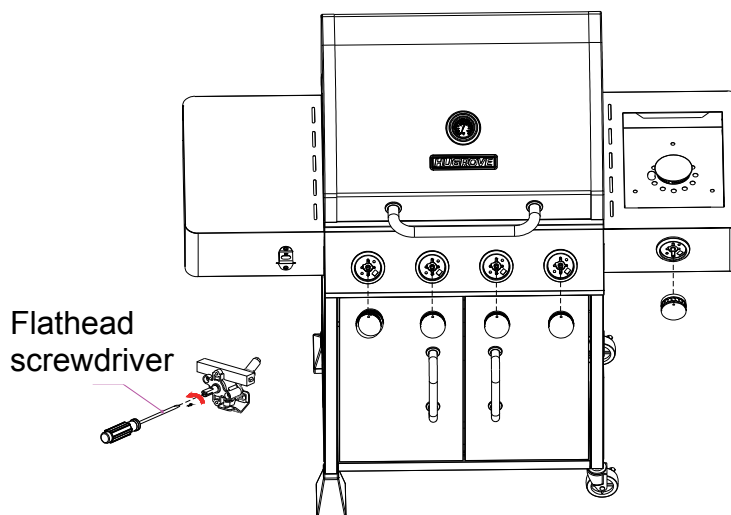
4. Reinstall the main burners and cotter pins. Make sure to engage the burner valves as shown.



- 5.1. Loosen the 2 screws on the Right Side Shelf. Remove the Right Side Shelf Tray and Burner.
- 5.2. Remove the old orifice using the Socket. Tighten the new orifice ($\text{Ø}1.46\text{mm}$).
- 5.3. Unscrew the pre-assembled screw as shown, then rotate the air shutter opening counterclockwise, adjusting it from the LPG setting to the NG setting. Replace the pre-assembled screw, thus securing the air shutter opening.
- 5.4. Reinstall the Side Burner, Ignition Wire and Rack.

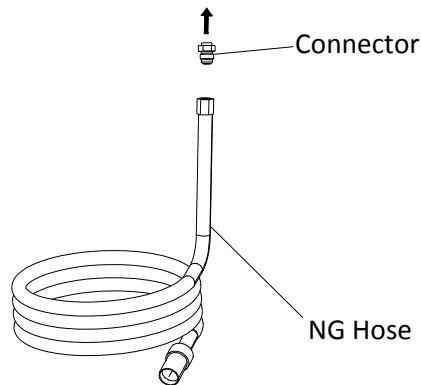


6. To change the valve from propane use to natural gas use, first remove the 5 knobs for the main burners and side burner. Then, insert a small flathead screwdriver into the hole in the nodes underneath.
For propane use, rotate clockwise until tight.
For natural gas use, rotate counterclockwise twice at least. Replace the knobs.

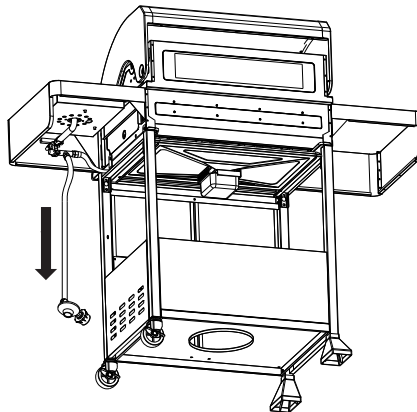


NATURAL GAS CONVERSION

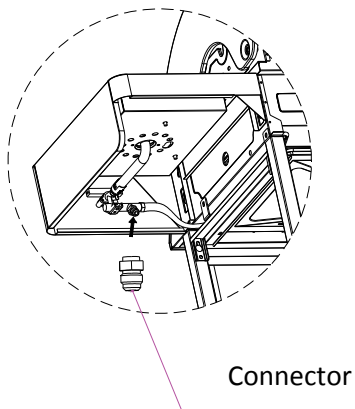
7. Use the 17x19mm wrench to remove the connector from the NG Hose.



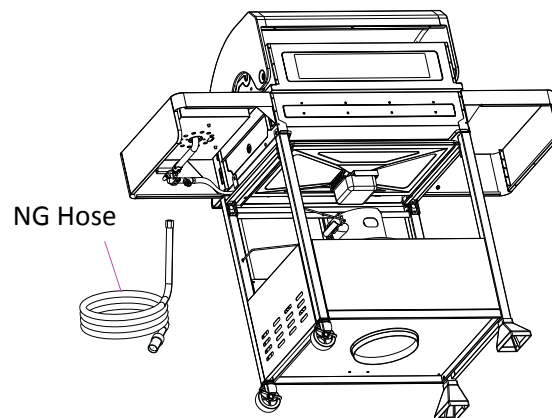
8. Use the 17x19mm wrench to remove the LP hose and regulator from the manifold.



9. Attach the connector to the manifold and tighten it with the 17x19mm wrench.



10. Attach the NG Hose to the connector and tighten it with the 17x19mm wrench.



OPERATION INSTRUCTIONS

IMPORTANT:

After your grill is converted to natural gas, the working pressure for natural gas is 7 in. water column (WC). Gas pressure is affected by gas line size and the length of gas line run from house. Follow the recommendations in the chart below.

From House to Grill	
Distance	Tubing Size
Up to 25 ft.	3/8 in. DIA
26 – 50 ft.	1/2 in. DIA
51 – 100 ft.	2/3 in. of run 3/4 in. 1/3 in. of run 1/2 in.
More than 101 ft.	3/4 in. DIA

IMPORTANT:


Perform a leak test before operating the grill.


Leakage Check

When checking for gas leaks, do not use an open flame. Use a soapy water solution and apply it to the pipe joints and fittings with a brush and check for bubbles. Check flexible hoses for cuts and wear that may affect the safe operation of the grill. Only use original equipment replacement hoses. Use only replacement hose assemblies specified by manufacturer.

Before operating your grill, after refueling, check carefully to be certain that all connections are tight and there are no gas leaks.

1. Make 2-3 ounces of leak solution by mixing liquid dishwashing soap with water.
2. Make certain all control knobs are in the "OFF" position.
3. Brush small amounts of the leak solution on all the fittings and turn the gas on.
4. If bubbles appear, there is a leak. Proceed to step 5.
5. Turn the gas off and tighten all connections.
6. Go back to step 1 to retest the fittings.
7. If bubbles continue to appear, turn the gas off. Contact customer service.

 **WARNING:** Never use a match or open flame for leak detection. Use of an open flame could result in a fire, explosion and bodily harm.

 **IMPORTANT:** When connecting or replacing gas pipe or fittings, all joints must be sealed with approved leak-proof sealing compound or plumber's tape. After making connections, check all joints for leaks using a soapy water solution and a brush.

OPERATING INSTRUCTIONS

L.P. GAS INSTALLATION

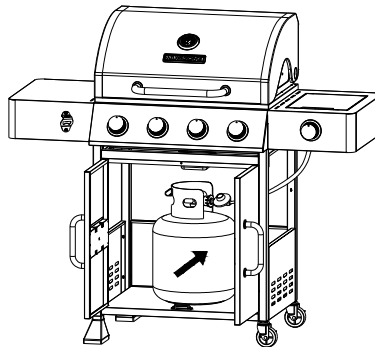
Gas grills that are set to operate with L.P. gas come with a high capacity hose and regulator assembly. **(Note: Only use the pressure regulator and hose assembly supplied with the grill or a replacement pressure regulator and hose assembly specified by the manufacturer).** This assembly is designed to connect directly to a standard 20 lb. L.P. cylinder. L.P. cylinders are not included with the grill. L.P. cylinders can be purchased separately at an independent dealer.

Connecting a Liquid Propane Gas Tank to the Grill:

1. Open the doors of the cabinet. Place a 20 lb. tank with foot ring into the tank tray. See Fig. 1.

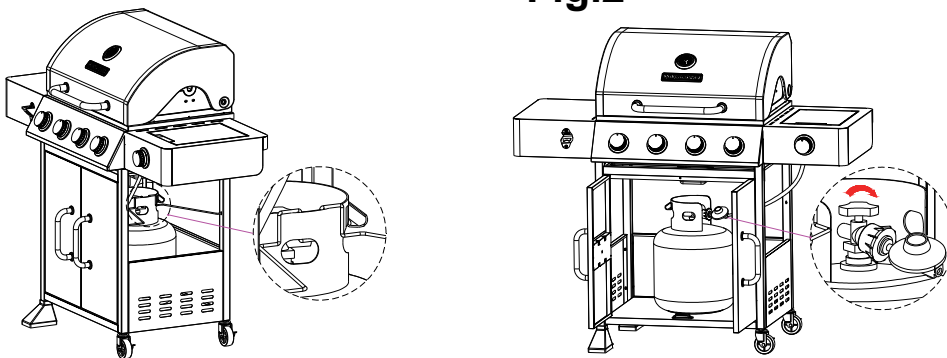
Make sure the tank valve is in the OFF position.

Fig.1



2. Put down gas cylinder hook onto the tank to secure the tank. See Fig. 2.

Fig.2



3. Check the tank valve to ensure it has proper external mating threads to fit regulator assembly provided (Type 1 connection per ANSI Z21.58b-2012).
4. Inspect the valve connection port of the regulator assembly. Look for damage or debris. Remove any debris. Inspect hose for damage. Never use damaged or plugged equipment.
5. Make sure all burner knobs are in the OFF position.

OPERATING INSTRUCTIONS

6. Connect the hose and regulator assembly to the tank valve (See Fig. 2). Tighten the quick coupling nut clockwise to a full stop by hand. DO NOT use a wrench to tighten because it could damage the quick coupling nut and result in a hazardous condition.
7. Open the tank valve fully (turn counterclockwise). Use a soapy water solution to check all connections for leaks before attempting to light your grill. See "Leakage Testing" on page 24. If a leak is found, turn the Tank Valve off and do not use your grill until the leak is repaired.

As shown in Fig. 3a, the gas tank must be placed vertically. It is unsafe to operate the grill if the gas tank is not vertical as shown in Fig. 3b.

Fig.3a

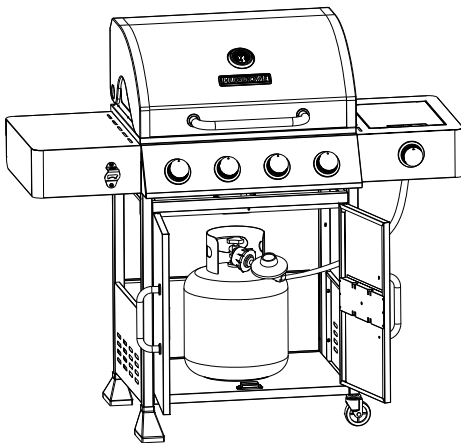
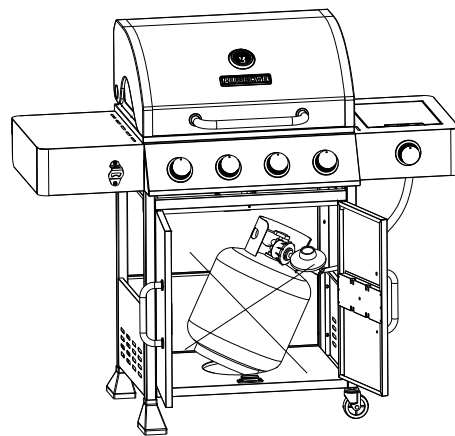


Fig.3b



⚠ WARNING: The Type I connective coupling (see Fig. 4) supplied with your grill must not be replaced with a different type of grill/tank connection system. Removal will result in loss of warranty, gas leakage, fire and severe bodily harm.

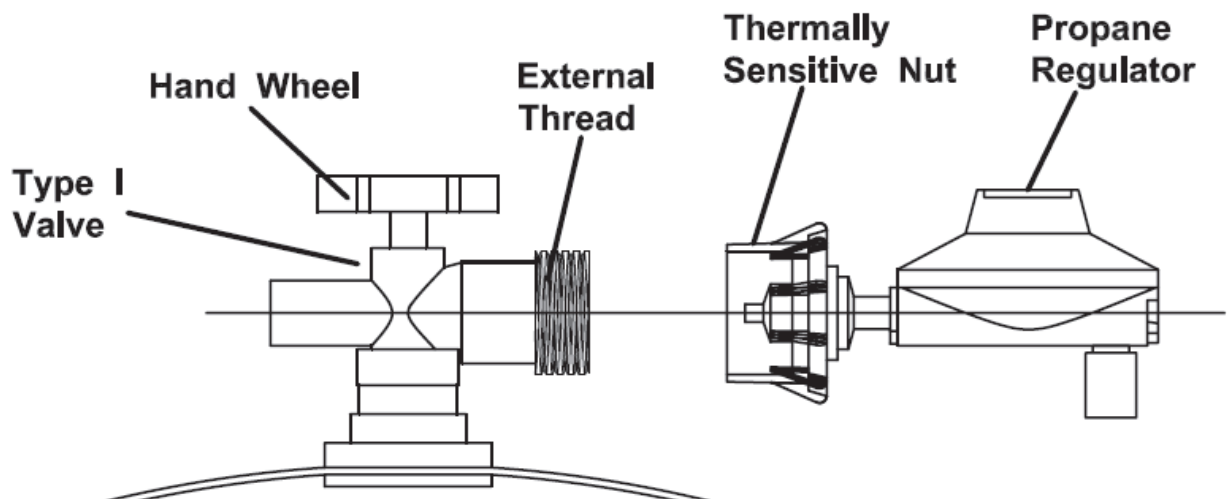


Fig. 4

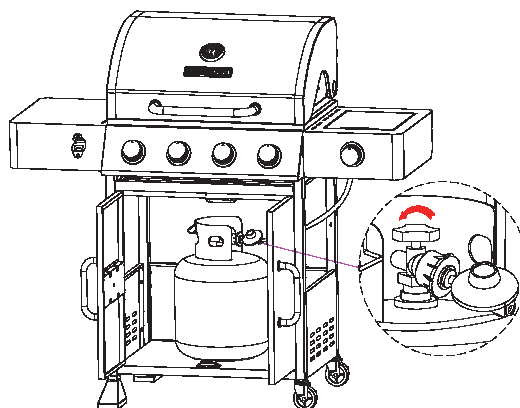
OPERATING INSTRUCTIONS

Disconnecting A Liquid Propane Gas (LP Gas) Tank From Your Grill:

1. Turn the burner knobs and LP gas tank valve to the full OFF position. (Turn clockwise to close.)
2. Detach the hose and regulator assembly from the LP gas tank valve by turning the quick coupling nut counterclockwise. See Fig. 5.

⚠ CAUTION: When the appliance is not in use, the gas must be turned off at the supply tank.

Fig.5



L.P. TANK INFORMATION

- Never use a dented or rusted L.P. tank or cylinder with a damaged valve.
- L.P. cylinders are equipped with an O.P.D. (Overfilling Prevention Device). The device shuts off the flow of gas to a cylinder after 80% capacity is reached. This limits the potential for release of gas when the cylinder is heated, averting a fire or possible injury.
- The L.P. cylinder must have a shut-off valve terminating in an L.P. gas supply cylinder outlet specified, as applicable, for connection No. 510 in the standard for compressed gas cylinder valve outlet and inlet connection ANSI/CGA-V-1. Cylinders must not be stored in a building, garage, or any other enclosed area. (The L.P. cylinder must have an overfill protection device and a collar to protect the cylinder valve.)
- The L.P. gas supply cylinder must be constructed and marked in accordance with the specifications for L.P. gas cylinders of the U.S. Department of Transportation (DOT) or the National Standard of Canada, CAN/CAS-B339, "Cylinders, Spheres and Tubes for the Transportation of Dangerous Goods and Commission."

L.P. TANK USE

- When turning the L.P. tank on, make sure to open the valve **SLOWLY** two (2) complete turns to ensure proper gas flow. Most gas tanks now come equipped with a leak detector mechanism internal to the tank. When gas is allowed to escape rapidly it shuts off the gas supply. Opening the valve rapidly may simulate a gas leak, causing the safety device to activate, restricting gas flow causing low flames. Opening the valve slowly will ensure this safety feature is not falsely triggered.
- When not in use, gas supply cylinder valve is to be in the "OFF" position.
- The tank supply system must be stored upright to allow for vapor withdrawal.
- The regulator and hose assembly must be inspected before each use of the grill. If there is excessive abrasion or wear or if the hose is cut, it must be replaced prior to the grill being used again.

OPERATING INSTRUCTIONS

- Cylinders must be stored outdoors out of the reach of children and must not be stored in a building, garage or any other enclosed area.
- Only a qualified gas supplier should refill the L.P. tank.
- Place dust cap on cylinder valve outlet whenever the cylinder is not in use. Only install the type of dust cap on the cylinder valve outlet that is provided with the cylinder valve. Other types of caps or plugs may result in leakage of propane.



WARNING

DO NOT store a spare L.P. gas cylinder under or near the grill. Never fill the cylinder beyond 80% full.

If this information is not followed exactly, a fire causing death or serious injury may occur.

LEAKAGE CHECK

Although all gas connections on the grill are leak tested prior to shipment, a complete gas tightness check must be performed at the installation site due to possible shifting during shipment, installation or excessive pressure unknowingly being applied to the unit. Periodically check the whole system for leaks and immediately check the system if the smell of gas is detected.

1. Do not smoke while leak testing.
2. Extinguish all open flames.
3. Never leak test with an open flame.
4. Mix a solution of equal parts mild detergent or liquid soap and water.
5. Turn off the burner control knobs. (see Fig. 6)
6. Turn the top knob of the fuel supply cylinder counterclockwise two (2) rotations to open.
7. Apply the soap solution to connections of the fuel supply assembly. Spoon leak check solution at all locations marked with an X. (see Fig. 7). If no soap bubbles appear, there is no gas leak. If bubbles form at the connections, a leak is detected. If a leak is detected, immediately off the gas supply, tighten any leaking fittings, turn gas on, and repeat steps 5-6.
8. Turn off the knob on the fuel supply cylinder.
9. Turn on the burner control knobs for a moment to release the pressure in the hose, then turn the control knobs back off.
10. Wash off soapy solution with cold water and towel dry. Check all gas supply fittings before each use and each time, make sure the gas supply cylinder is connected to the regulator. Have any leaking parts replaced by a qualified service technician as needed. Also it is recommended to perform a leak test at least once a year whether or not the L.P. gas supply cylinder has been disconnected.

Fig. 6

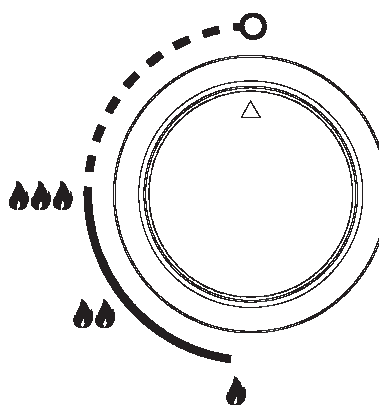
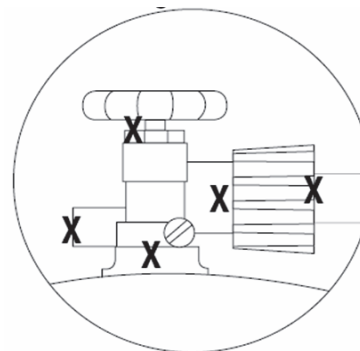
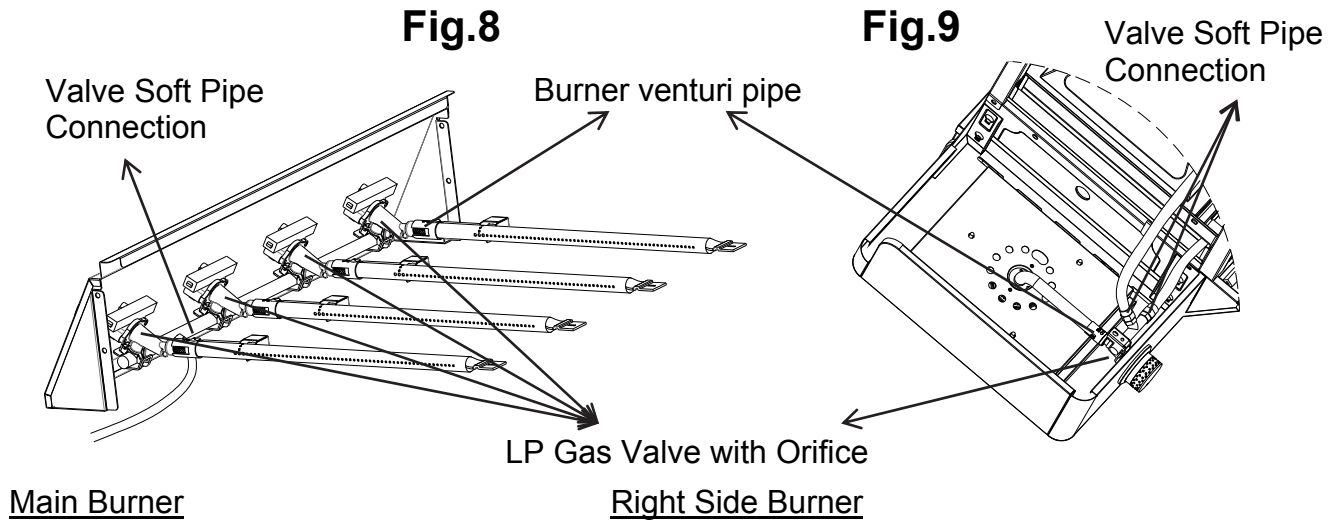


Fig. 7



OPERATING INSTRUCTIONS

Please refer to diagram for proper installation (see Fig. 8 and Fig. 9). Visually check the connection between the burner venturi pipe and orifice. Make sure the burner venturi pipe fits over the orifice.



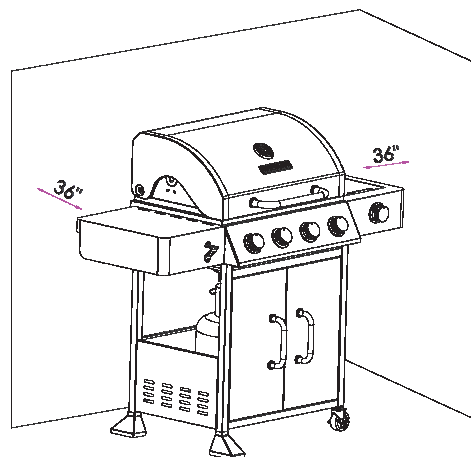
! WARNING When leak testing this appliance, make sure to test and tighten all loose connections. A slight leak in the system can result in a low flame or hazardous condition. Most L.P. gas tanks now come equipped with a leak detector mechanism internal to the tank. When gas is allowed to escape rapidly, it shuts off the gas supply. A leak may significantly reduce the gas flow, making the grill difficult to light or causing low flames.

If you cannot stop a gas leak, turn off the gas supply and call your local gas company. If necessary, replace the faulty part with the manufacturer's recommended replacement part. A slight leak could cause a fire.

! WARNING Do not use the grill in garages, breezeways, sheds or any enclosed area. Never operate the grill in enclosed areas as this could lead to a carbon monoxide buildup, which could result in injury or death. Place the grill on a level surface. Avoid moving the grill while it is in operation.

NOTE: The grill will operate best if it is not facing directly into the wind.

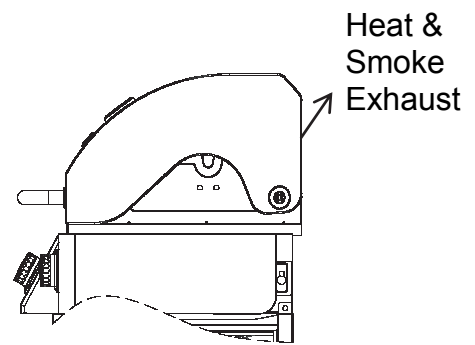
Clearance to combustible construction:
A minimum of 36 in. from the sides and back must be maintained from the gas grill above and below the cooking surface to adjacent vertical combustible construction. Clearance to non-combustible construction:
A minimum of 36 in. clearance from the back of the grill to non-combustible construction is required for the lid to fully open.



OPERATING INSTRUCTIONS

Indoor storage of an outdoor gas cooking appliance is permissible only if the cylinder is disconnected and removed from the appliance.

! WARNING Heat and smoke exhaust out of the back of the grill hood opening. Make sure not to have the grill back facing your home or anything that could be damaged by heat or smoke.



GENERAL RULES

Do not leave the grill unattended while cooking!

1. Make sure the grill has been leak tested and is properly located.
2. Light the grill burners using the instructions provided in this manual.
3. Turn the control knobs to desired temperature - High or Low - and preheat the grill for 10 minutes before cooking.
4. Adjust heat settings to meet your cooking needs for desired results.
5. Allow grill to cool down, wipe off any splatters or grease and clean the drip tray as needed.
6. Do not put a cover on the grill while it is still hot as it could start a fire.

Do not attempt to "light" the grill if the odor of gas present!!

BEFORE AND AFTER LIGHTING

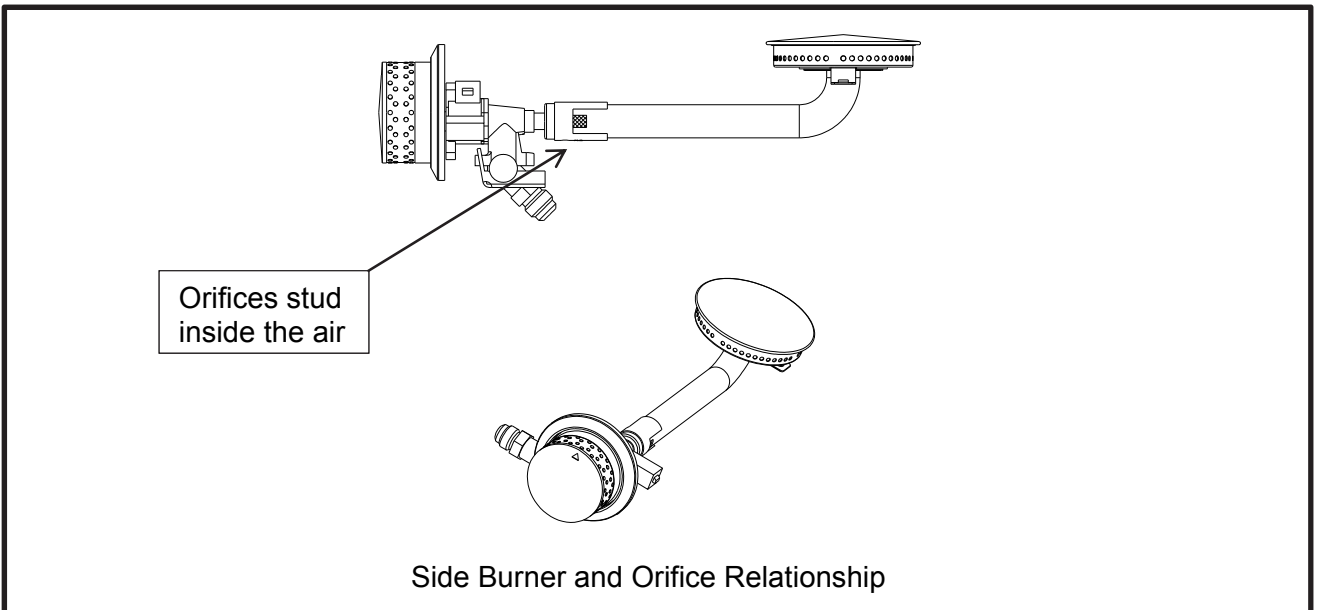
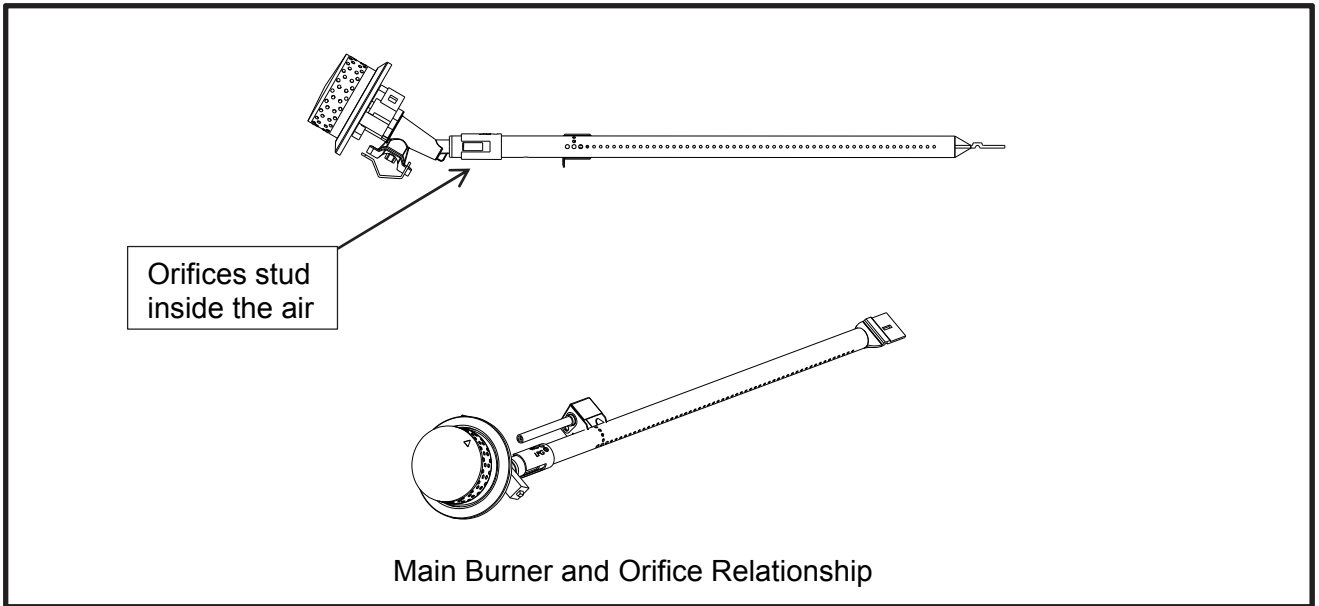
1. Ensure your grill is located on a level surface.
2. Keep the gas grill area clean and free from combustible materials, gasoline, and other flammable vapors and liquids.
3. Ensure nothing is obstructing the flow of combustion and ventilation air.
4. Ensure the ventilation of the cylinder enclosure is free and clear of debris.
5. Visually check burner flames.

! WARNING Check the gas supply line for cuts, wear or abrasion.
Always keep your face and body as far away from the grill as possible when lighting.

OPERATING INSTRUCTIONS

Checking orifice alignment with burners

Orifices may shift during assembly and movement. Check the orifice alignment with the burners according to the following illustrations before lighting.

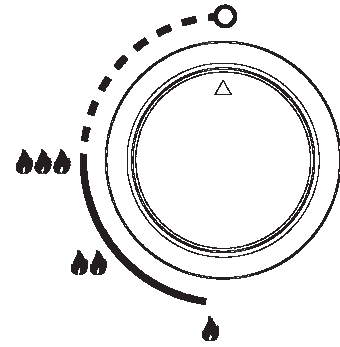


LIGHTING INSTRUCTIONS

⚠ Warning: Do not lean over grill when lighting. Turn off LP supply at cylinder when appliance is not in use.

1. Check that the control knobs are in the **OFF** position.
2. Open valve at tank fully by turning counterclockwise.
3. Open lid before lighting.
4. Push and turn the control knob slowly to **HIGH**.
The burner should ignite within three attempts.
5. If the burner does not ignite, turn the knob to **OFF**, wait 5 minutes and then repeat step 4.

The first time you light the grill, you may have to turn the control knob to the **HIGH** position for up to 30 seconds to purge the gas lines of any air.



For complete shutdown

1. Turn the knob to the "**HIGH**" position first, then push in and turn to "**OFF**" position for complete shut off.
2. Turn the LP gas tank valve OFF before removing the LP gas tank.

If ignitor does not light the burner, the burner may be lit with a match attached to the match extender, located on the side of the cart door.

Remove the main cooking grate and flame tamers. Keep your face as far away from the grill surface as possible and pass the match extender to the ports of the main burner tubes. Position the match near the burner ports and push and turn the control knob counterclockwise to the "**HIGH**" position. After the burner has lit, turn the knob to the "**LP LOW**" position and carefully place the flame tamers and grates back in position. Then turn the control knob to the desired setting.

NOTE: If the grill will not light after several attempts see the Troubleshooting section of this manual. Turn the control knobs to the OFF position when not in use.



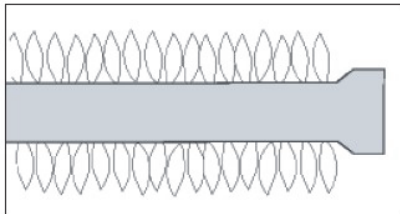
Keep any electrical supply cords and the fuel supply away from any heated surfaces.



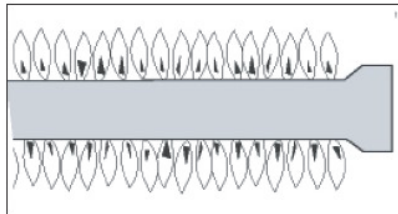
CARE AND MAINTENANCE

GENERAL MAINTENANCE

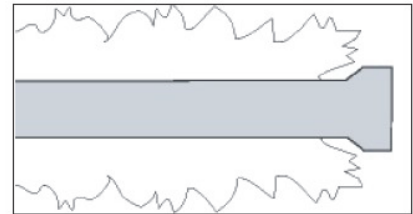
- Keep outdoor cooking gas appliance area clear and free from combustible materials, gasoline and other flammable vapors and liquids.
- Do not obstruct the flow of combustion and ventilation air.
- Keep the ventilation openings of the cylinder enclosure free and clear from debris.
- Visually check the burners.



Normal: Soft blue flames



Out of Adjustment: Hard blue flames- too much air



Poor Combustion: wavy, yellow flames- too little air

GENERAL CLEANING

IMPORTANT: Before cleaning, make sure all controls are off and the grill is cool. Always follow label instructions on cleaning products.

For routine cleaning, wash with soap and water using a soft cloth or sponge. Rinse with clean water and dry at once with a soft, lint-free cloth to avoid spots and streaks. To avoid scratching the surface, do not use steel wool to clean the grill. Use a vinyl grill cover to protect finish from weather.

DRIP TRAY

The drip tray should be cleaned periodically to prevent heavy buildup of debris.

NOTE: Allow the drip tray to cool before attempting to clean.

Important: Do not leave the grill outside during inclement weather unless it is covered. Rain water can collect inside of the grill, the grill cart or the drip tray if left uncovered. If the drip tray is not cleaned after use and the grill is left uncovered, the drip tray will fill with water causing grease and water to spill into the grill cart. It is recommended to clean and store the drip tray after every use.

COOKING GRATES

The cooking grates can be cleaned immediately after cooking is completed and after turning off the grill. Wear a barbecue mitt and scrub the cooking grates with a damp cloth. If the grill is allowed to cool down, cleaning the grates will be easier if removed from the grill and cleaned with a mild detergent.

CARE AND MAINTENANCE

STAINLESS STEEL

After initial usage, areas of the grill may discolor from the intense heat given off by the burners. This is normal.

Purchase a mild stainless steel cleaner and rub in the direction of the grain of the metal. Specks of grease can gather on the surface of the stainless steel and bake on to the surface and give a worn appearance. For removal, use a non-abrasive oven cleaner in conjunction with a stainless cleaner.

NOTE: Always scrub in the direction of the grain.

PORCELAIN PARTS

Certain parts of your grill have a porcelain coating. Porcelain is a glass-based product and is highly durable under normal wear and use. However, porcelain is sensitive to concussive blows, which can create interlaced micro-fractures or “spider-webs.” Please take care not to strike any porcelain covered parts with solid objects, drop them, or create any other concussive blows. These interlaced micro-fractures are common and may lead to minor chipping. Neither the chipping nor the interlaced micro-fractures will adversely affect the performance of your grill and are not covered under the warranty for porcelain parts.

TROUBLESHOOTING

PROBLEM	POSSIBLE CAUSE	CORRECTIVE ACTION
Grill will not light.	<ol style="list-style-type: none"> 1. The ignition wire came off the valve. 2. The distance between the ignition pin and the burner is greater than 5/32 in. - 3/16 in. 3. The ignition wire is broken. 4. No gas supplied. 5. Air shutter opening is too big. 	<ol style="list-style-type: none"> 1. Reconnect the ignition wire to the valve. 2. Loosen the ignition pin and adjust the distance, then fasten it again. 3. Contact customer service for a replacement ignition wire. 4. Turn on the regulator valve. 5. Loosen the air shutter and adjust the opening to a smaller size.
Burner flame is yellow and gas odor can be smelled.	<ol style="list-style-type: none"> 1. The air shutter opening is not properly set. 2. Spiders or insects block the air shutter. 3. Possible gas leaks. 	<ol style="list-style-type: none"> 1. Loosen the air shutter and adjust the opening to have blue flames. 1/4 in. opening for LPG. 2. Clean blockages. 3. Check for the source of gas leaks.
Excessive flare-up.	<ol style="list-style-type: none"> 1. Grilling fatty meats. 2. Knobs on "HIGH". 3. Spray water on gas flames. 4. Hood closed when grilling. 	<ol style="list-style-type: none"> 1. Move the meats to the warming rack until flame settles down. 2. Grill fatty meats when the grids are cold while the knobs are on the "LP LOW" (when using LP Gas) 3. Never spray water on gas flames. 4. Hood up when grilling.
Burner blows out.	<ol style="list-style-type: none"> 1. LP tank is empty. 2. Burner is not aligned with the control valve. 3. Gas supply is not sufficient. 	<ol style="list-style-type: none"> 1. Refill the LP tank. 2. Install the burner correctly. 3. Check the gas supply hose and make sure there are no leaks and no knots.

TROUBLESHOOTING

PROBLEM	POSSIBLE CAUSE	CORRECTIVE ACTION												
Low heat with the knob in "HIGH" position.	<ol style="list-style-type: none"> 1. Ports are blocked. 2. LP tank has run out. 	<ol style="list-style-type: none"> 1. Clear ports of any obstructions. 2. Refill the LP tank. 												
Low heat, LP gas.	The propane regulator assembly incorporates an excess flow device designed to supply the grill with sufficient gas flow. Rapid changes in pressure can trigger the excess flow device, providing a low flame and low temperature.	<p>Please follow these instructions:</p> <ol style="list-style-type: none"> 1. Make sure all burners are "OFF". 2. Open the tank valve and wait 5 minutes. 3. Light the burner one at a time following the lighting instructions listed on the door liner. 												
Low heat, natural gas.	<p>Gas pressure is significantly affected by gas line and length of gas line from house gas line.</p> <p>This model is set for 7 in. natural gas usage. Please check your natural gas supply system to have correct gas pressure. Regulator is not needed for NG model.</p>	<p>Check your gas line and make corrections by following the chart below:</p> <table border="1"> <thead> <tr> <th colspan="2">From House to Grill</th> </tr> <tr> <th>Distance</th> <th>Tubing Size</th> </tr> </thead> <tbody> <tr> <td>Up to 25ft.</td> <td>3/8 in. DIA</td> </tr> <tr> <td>26 – 50ft.</td> <td>1/2 in. DIA</td> </tr> <tr> <td>51 – 100 ft.</td> <td>2/3 in. of run 3/4 in. 1/3 in. of run 1/2 in.</td> </tr> <tr> <td>Over 101 ft.</td> <td>3/4 in. DIA</td> </tr> </tbody> </table>	From House to Grill		Distance	Tubing Size	Up to 25ft.	3/8 in. DIA	26 – 50ft.	1/2 in. DIA	51 – 100 ft.	2/3 in. of run 3/4 in. 1/3 in. of run 1/2 in.	Over 101 ft.	3/4 in. DIA
From House to Grill														
Distance	Tubing Size													
Up to 25ft.	3/8 in. DIA													
26 – 50ft.	1/2 in. DIA													
51 – 100 ft.	2/3 in. of run 3/4 in. 1/3 in. of run 1/2 in.													
Over 101 ft.	3/4 in. DIA													

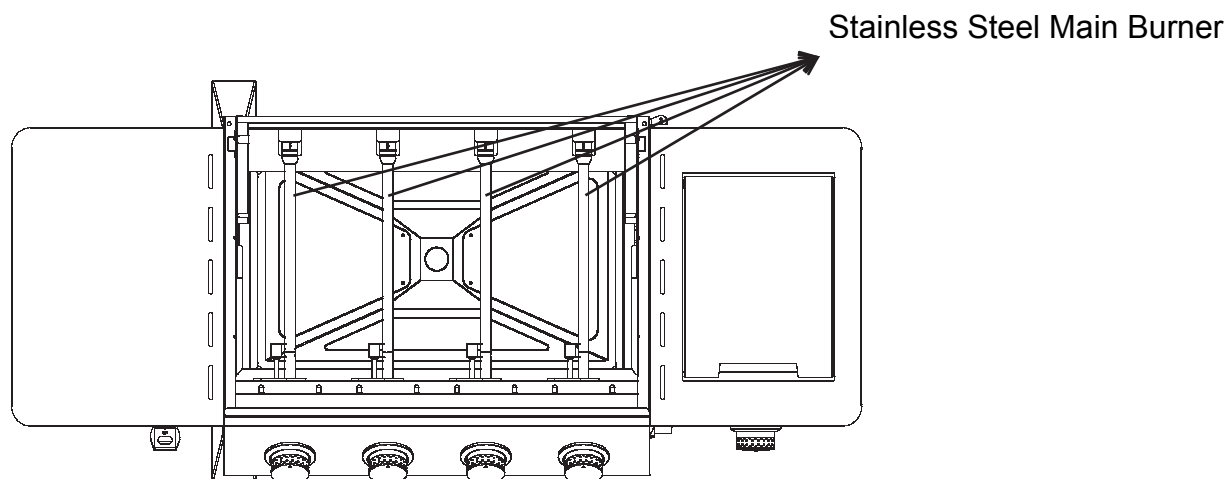
WARRANTY

Proof of purchase is required to access this warranty program, which is in effect from the date of purchase. Customers will be subject to parts, shipping, and handling fees if unable to provide proof of the purchase or after the warranty has expired.

If you have any questions or problems, please contact us via email info@serviceprohelp.com.

Limited Warranty

Manufacturer warrants this product for the Stainless Steel Main Burner for 5 years and all other replacement parts for 1 year from the date of purchase.



Warranty Provisions:

This warranty is non-transferable and does not cover failures due to misuse of improper installation or maintenance.

This warranty is for replacement of defective parts only. We are not responsible for incidental or consequential damages or labor costs.

This warranty does not cover corrosion or discoloration after the grill is used, or lack of maintenance, hostile environment, accidents, alterations, abuse or neglect.

This warranty does not cover damage caused by heat, abrasive and chemical cleaners, or any damage to other components used in the installation or operation of the gas grill.

Paint is not warranted and may require touch-up. Items considered to be consumable such as batteries are not covered under this warranty.

Some states do not allow the limitation or exclusion of incidental or consequential damages, so the above limitations or exclusions may not apply to you. This warranty gives you specific legal rights, and you may also have other rights that vary from state to state.